



# MINDSTORMS

9754

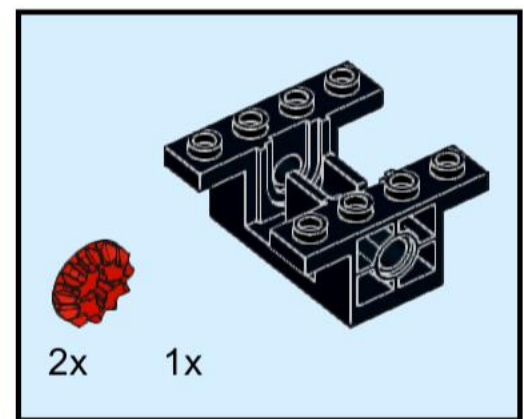
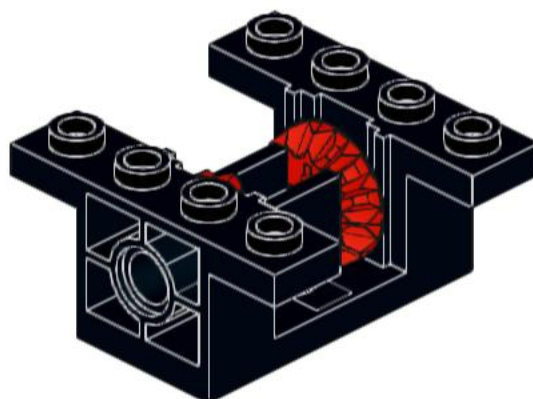
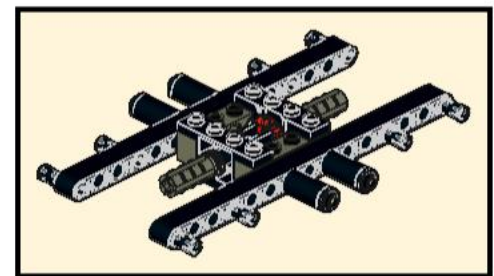
## AAT Battle Tank



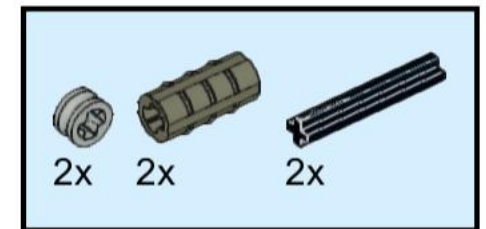
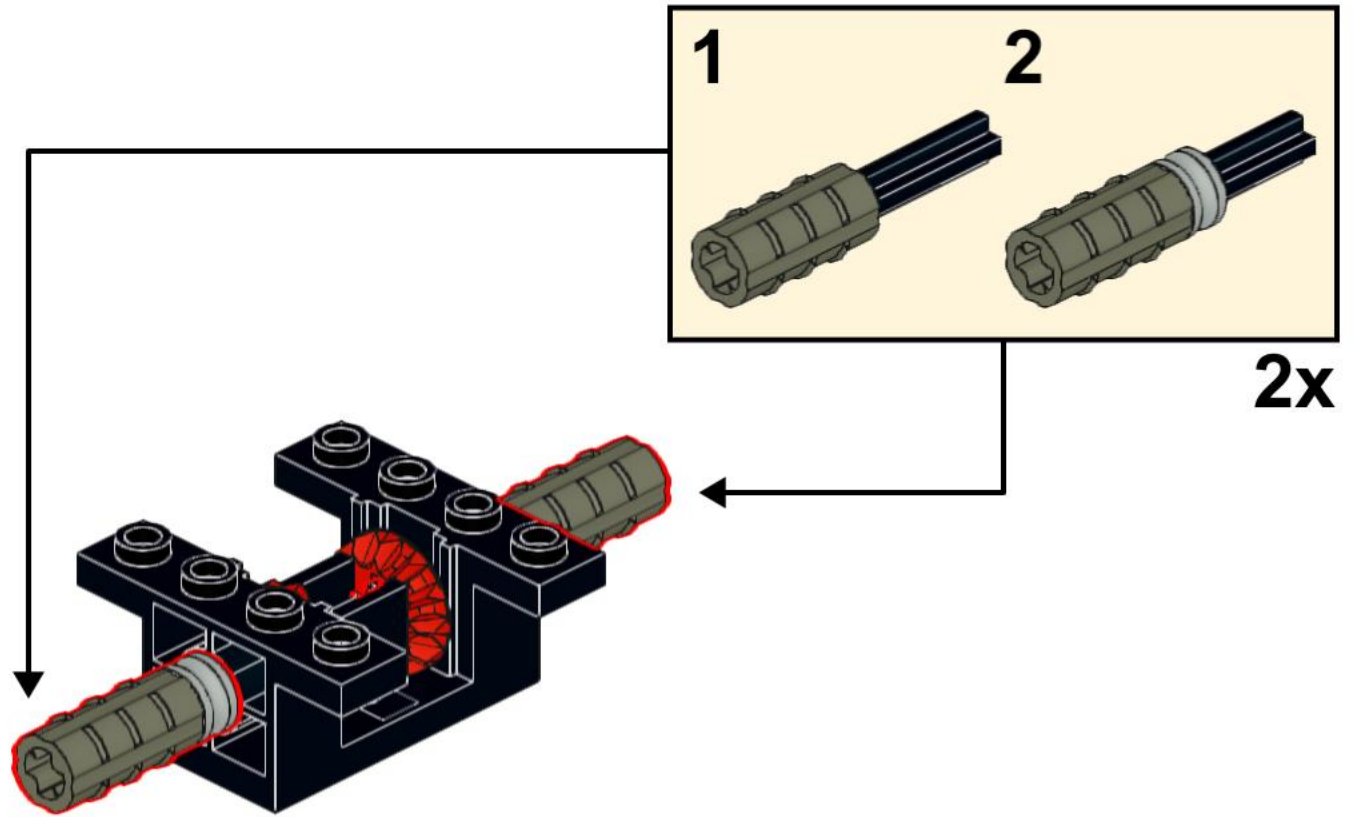
DARK SIDE  
DEVELOPER KIT

STAR  
WARS

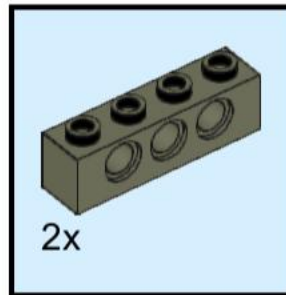
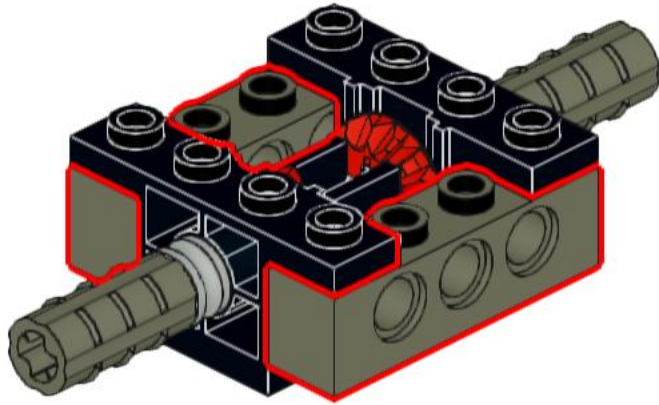
# 1



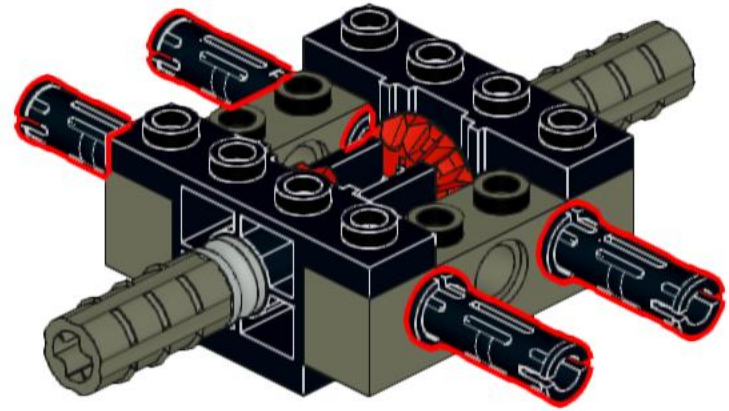
# 2



# 3

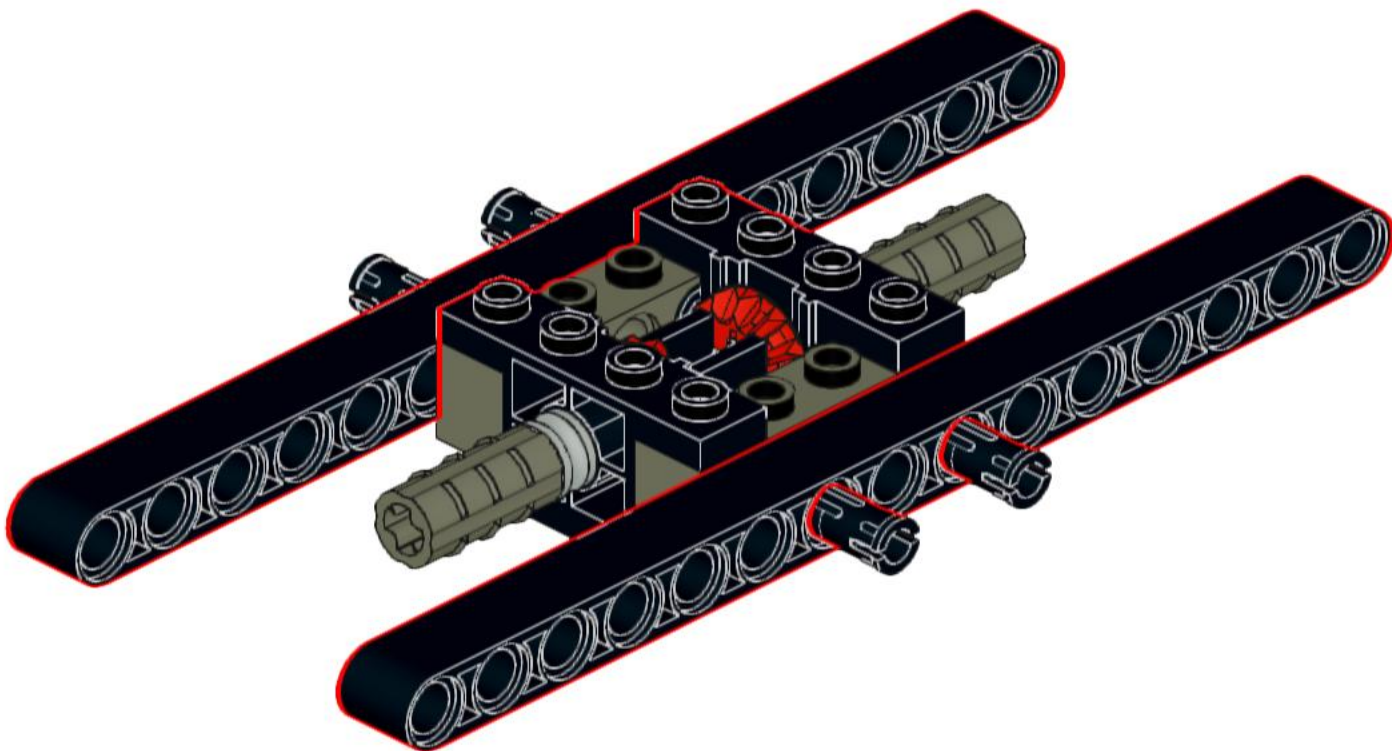


# 4

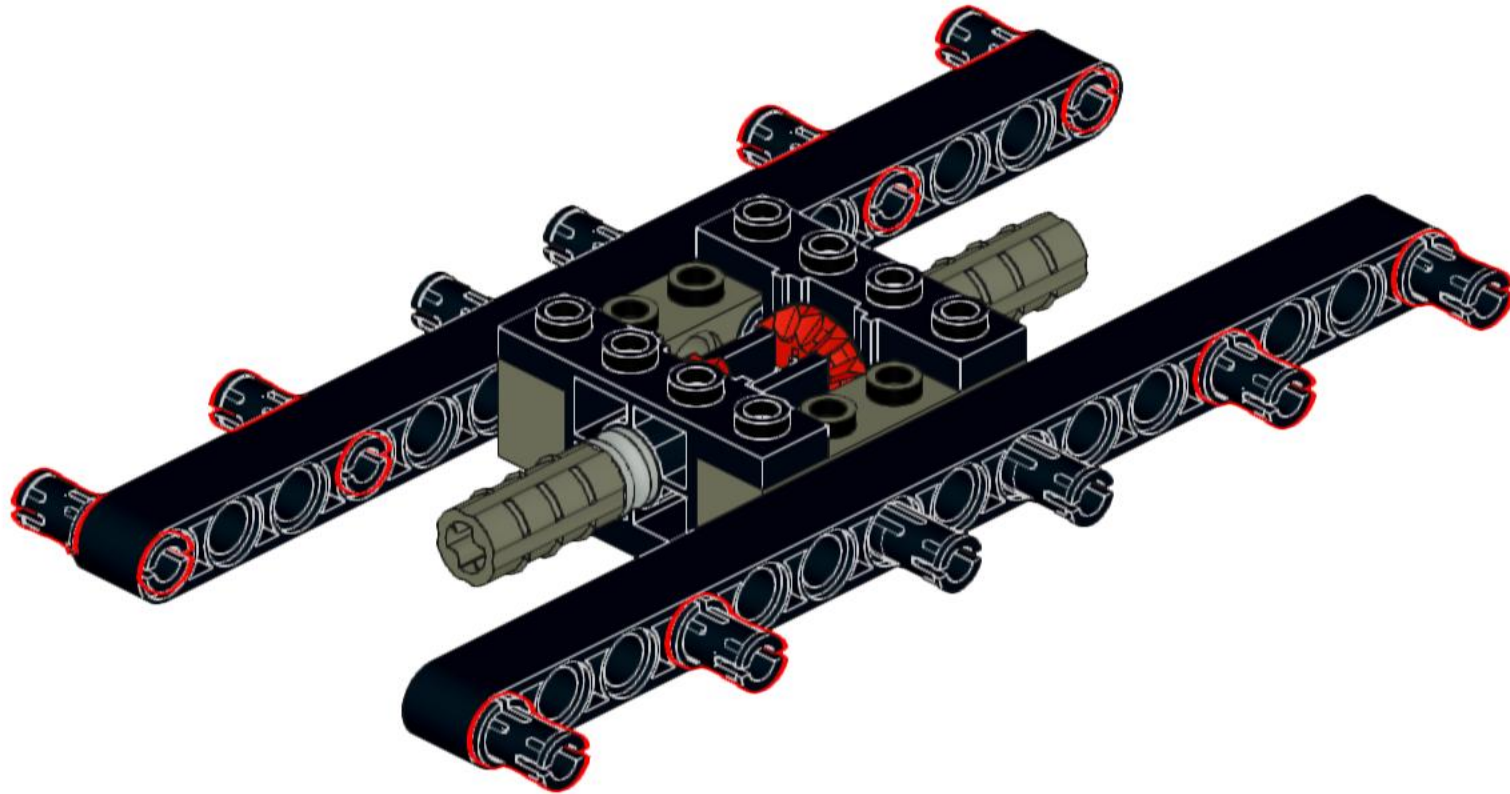




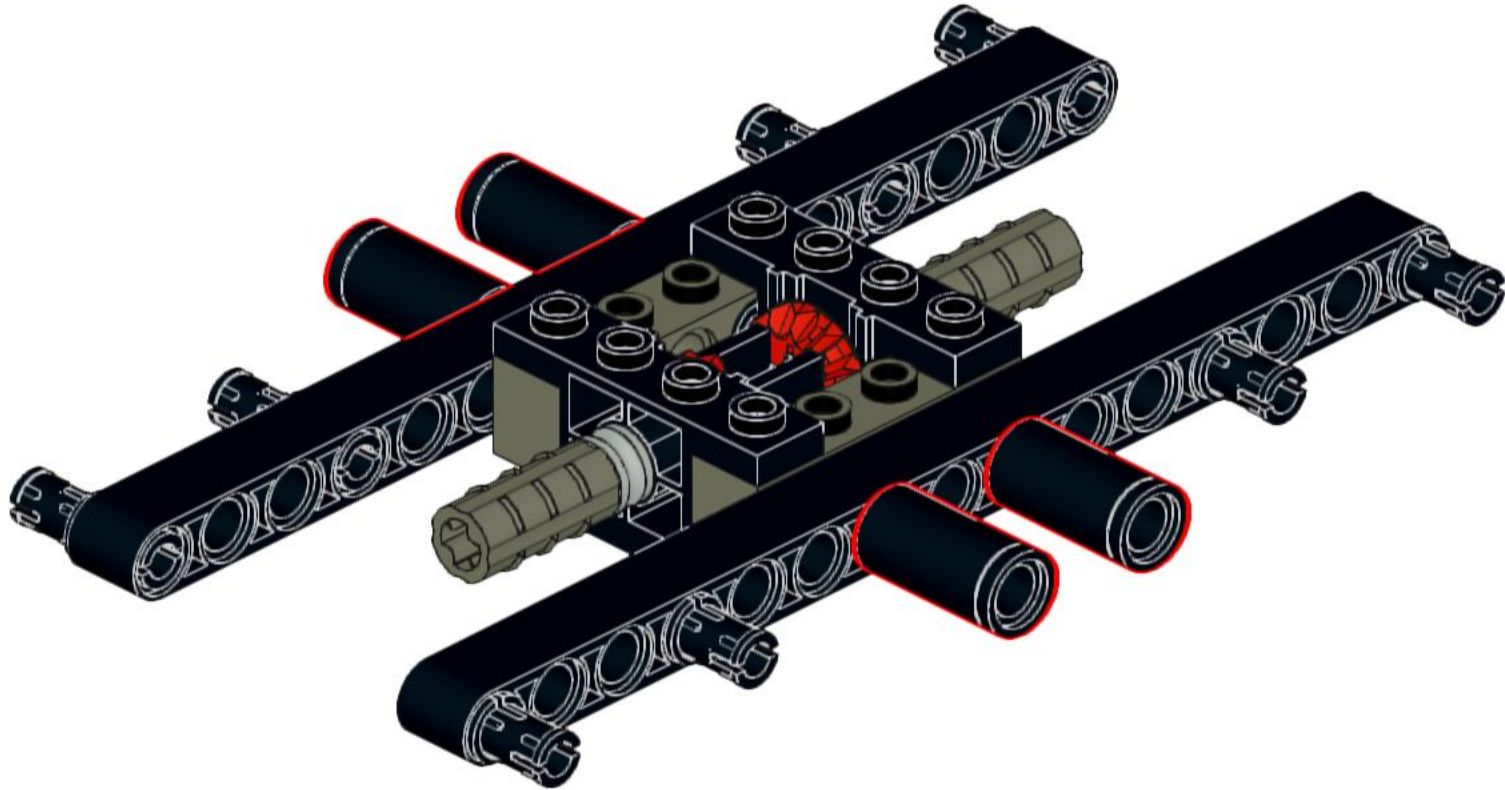
5



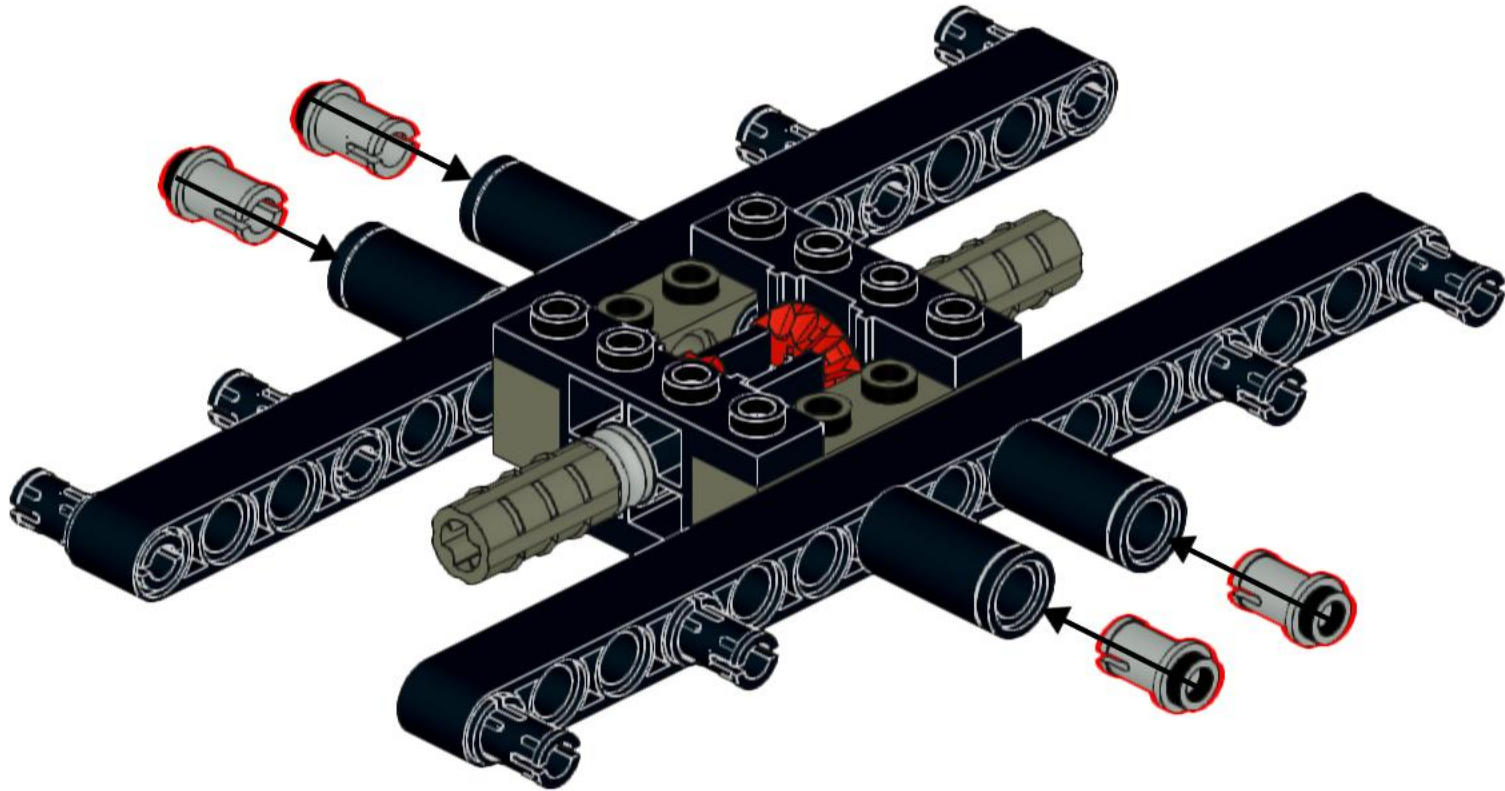
6



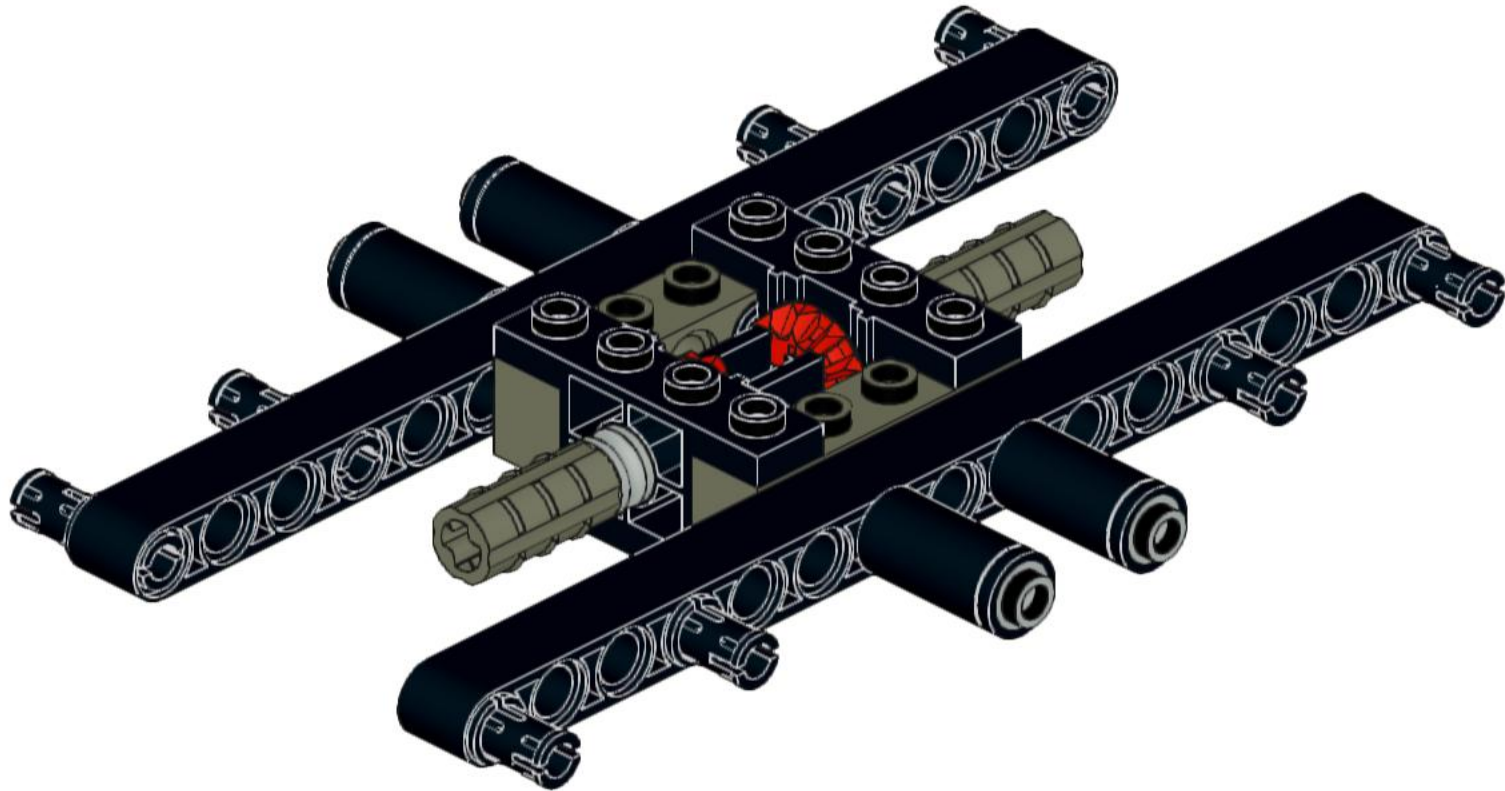
7



8

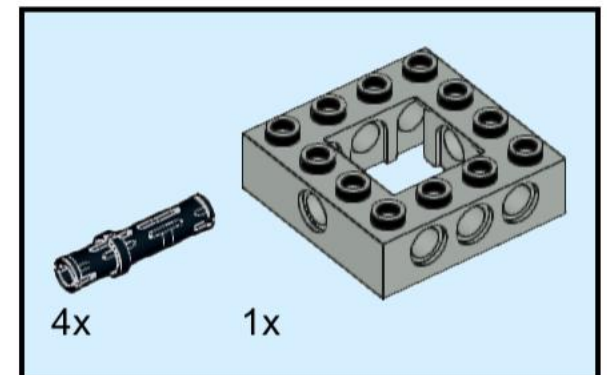
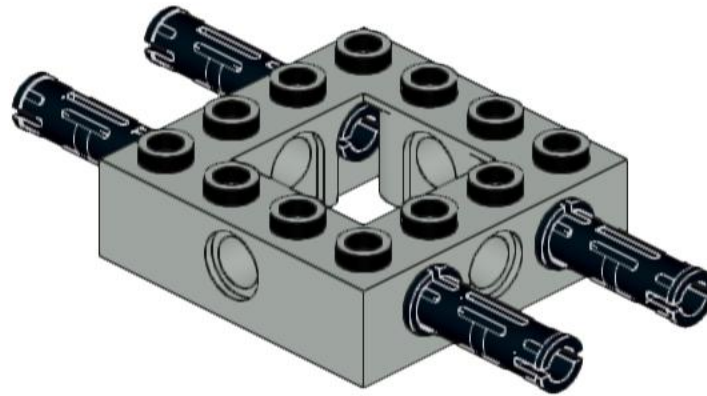
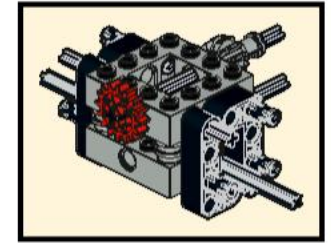


9

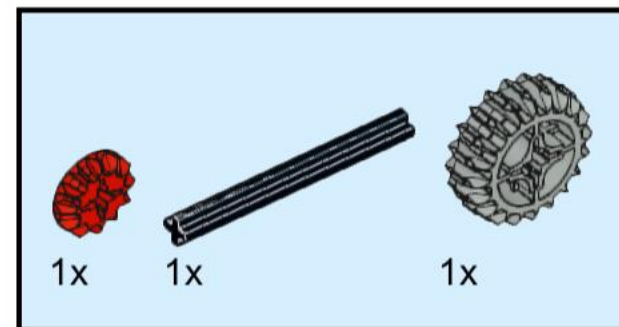
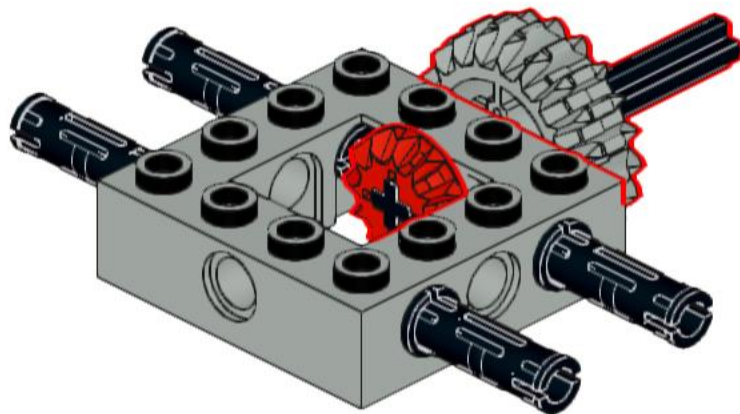




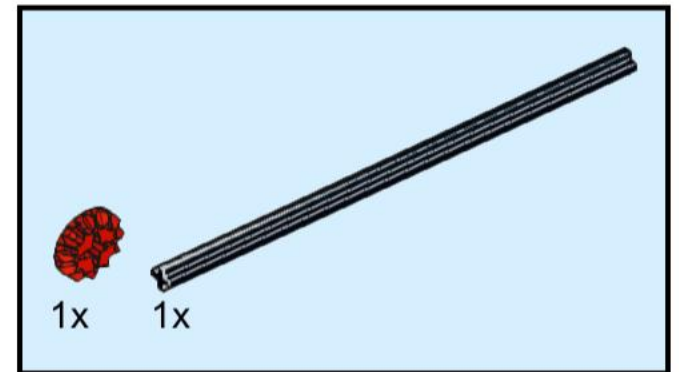
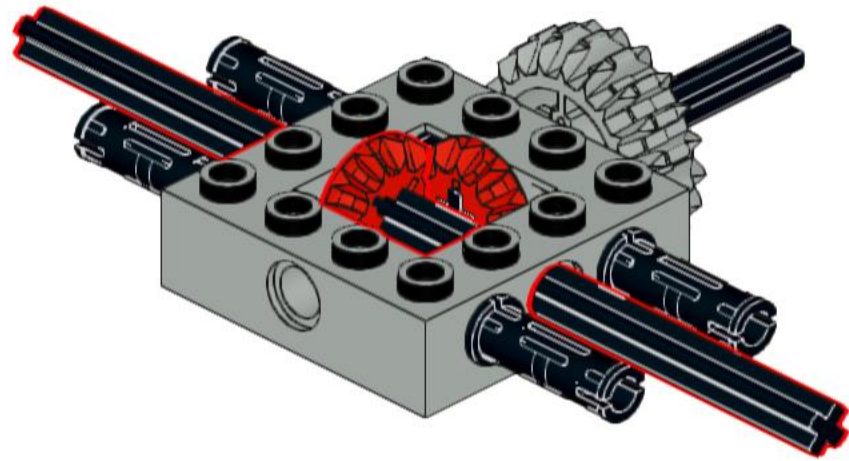
# 10



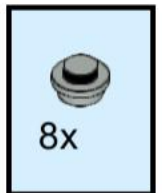
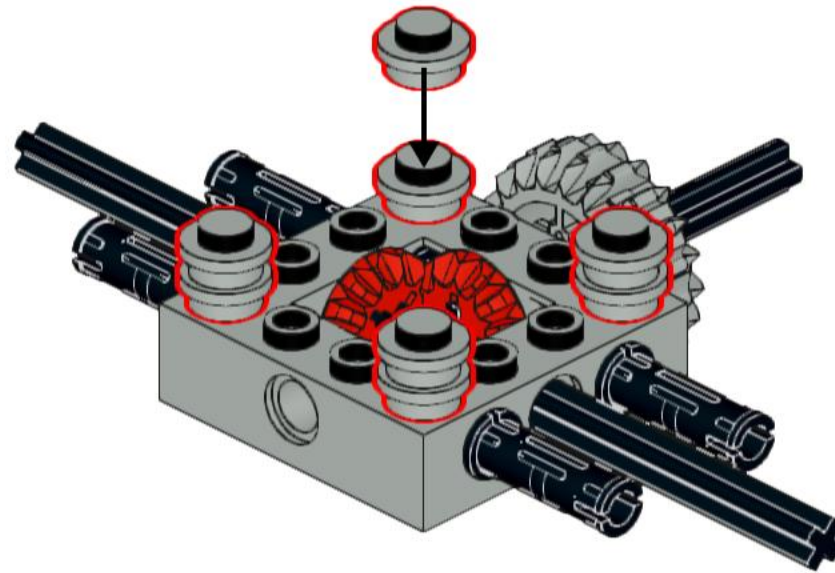
# 11



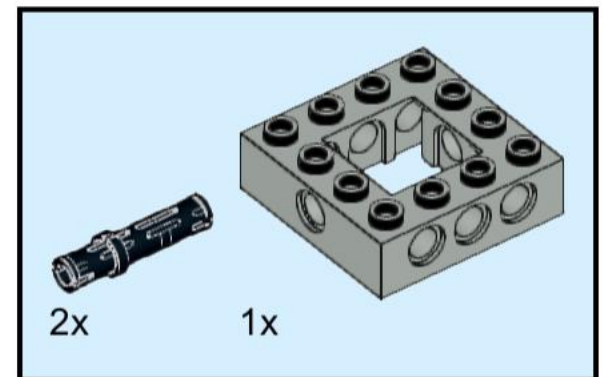
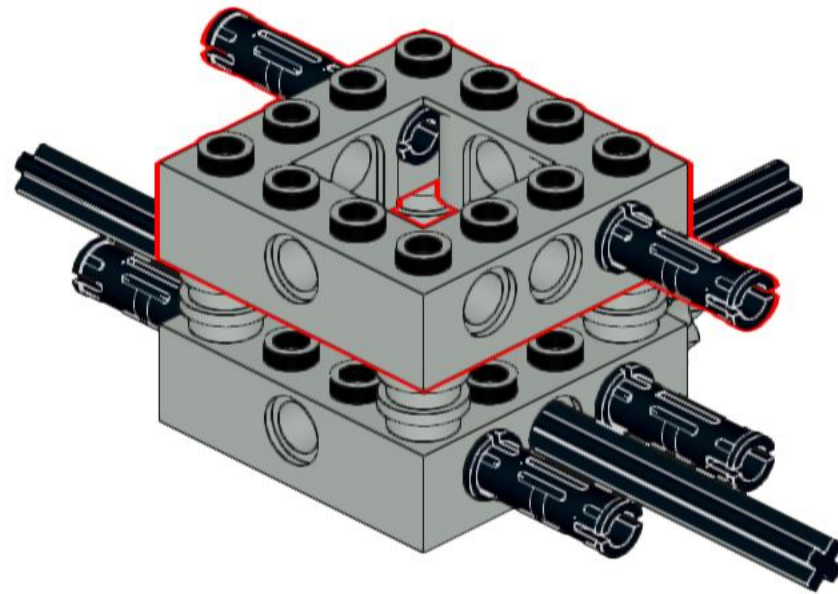
# 12



# 13

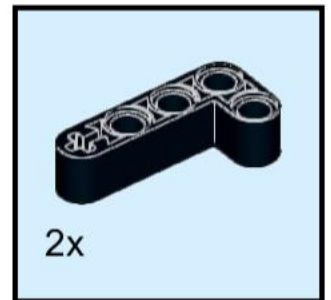
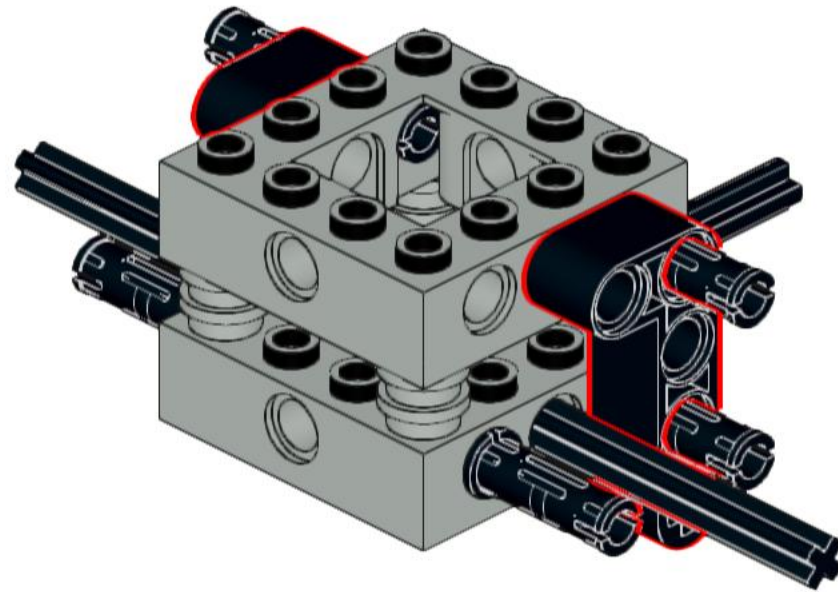


# 14

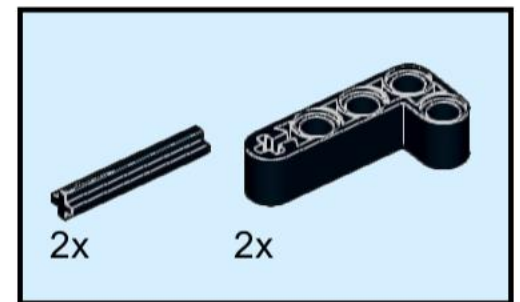
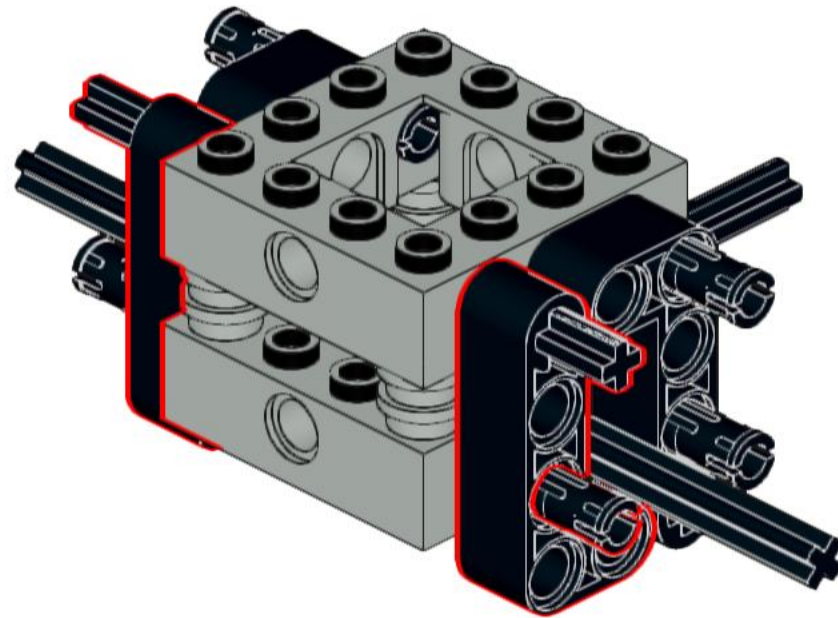




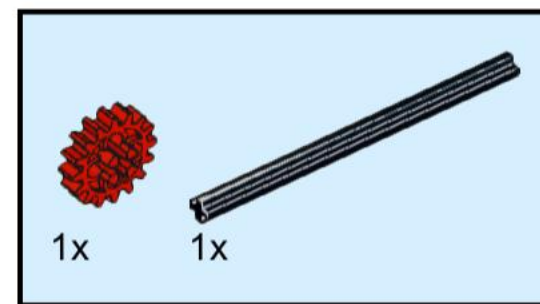
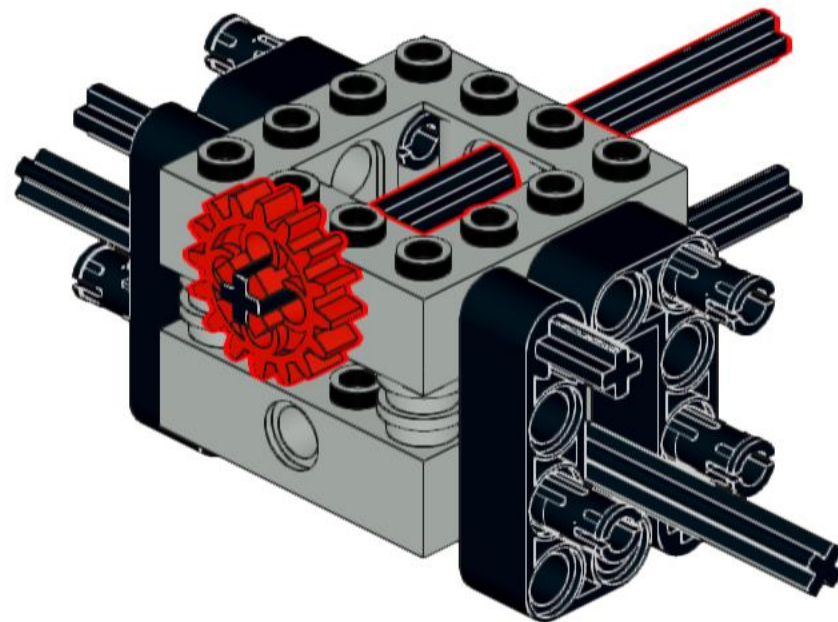
# 15



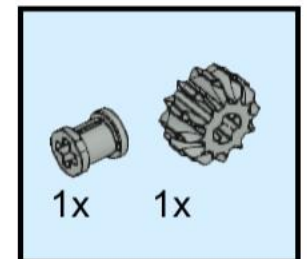
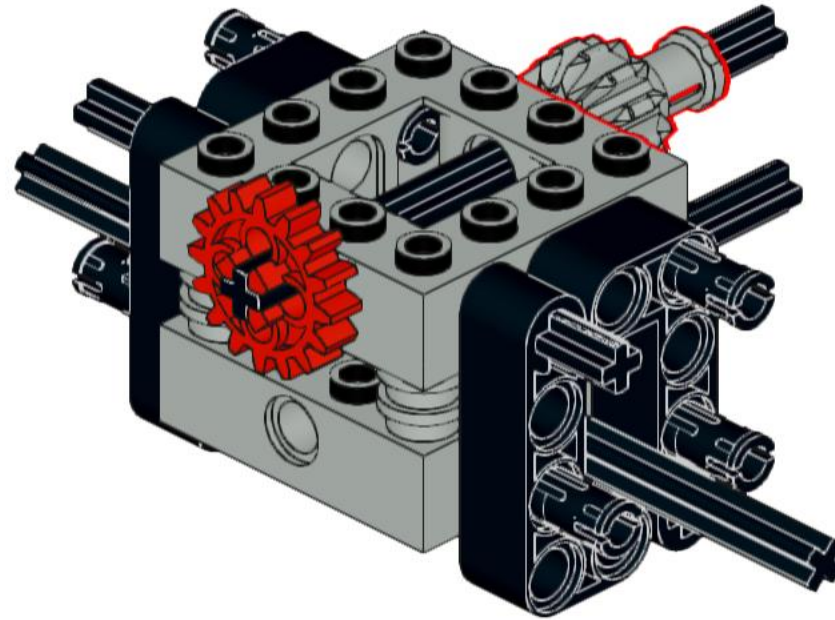
# 16



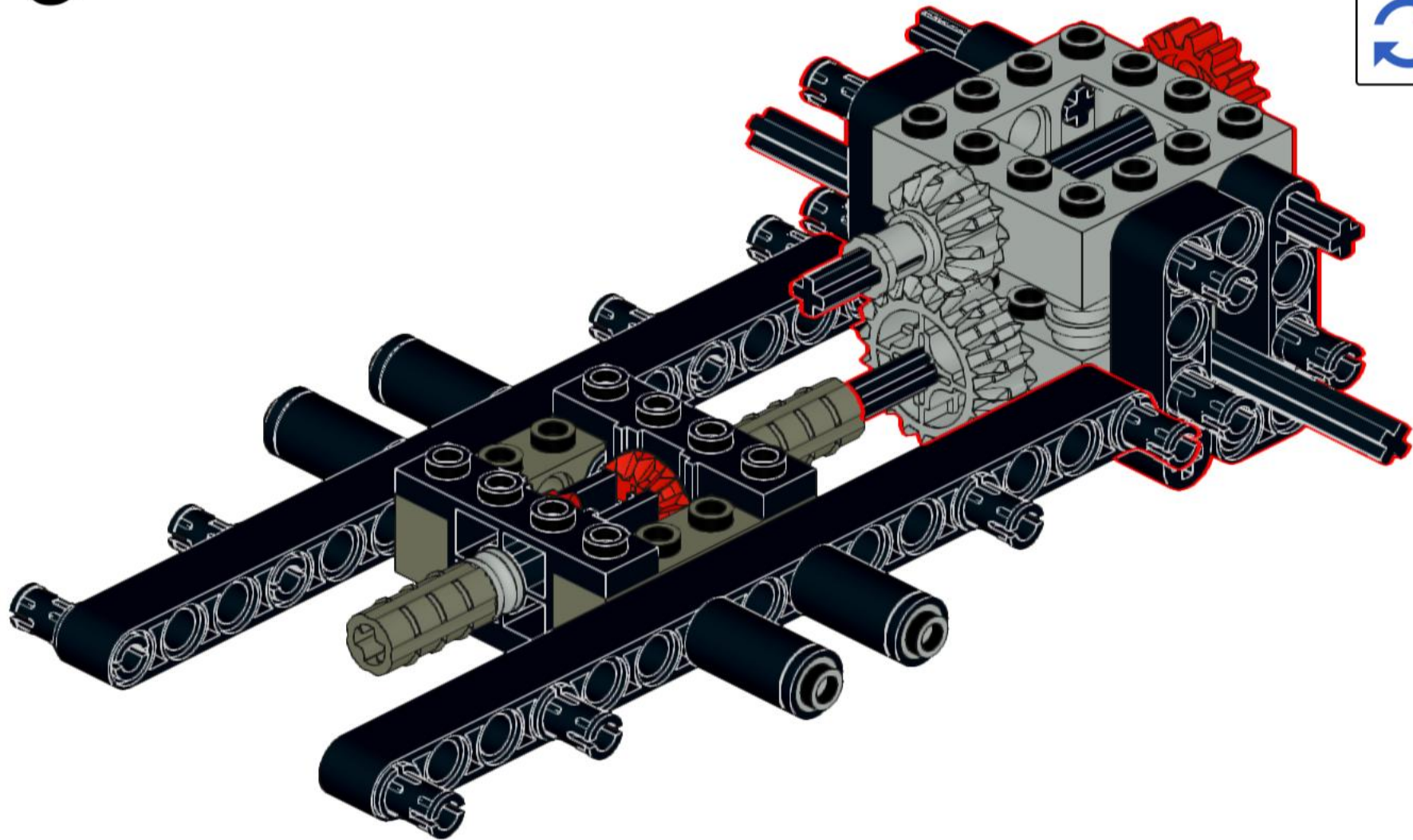
# 17



# 18

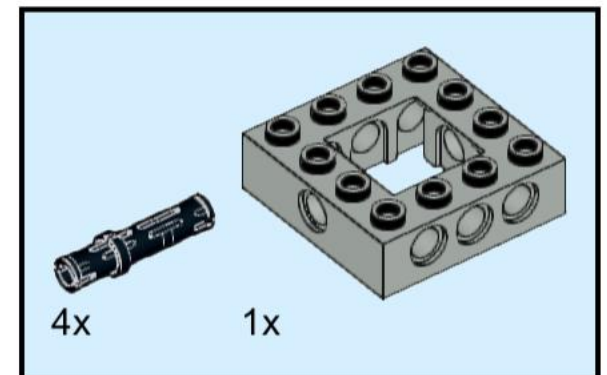
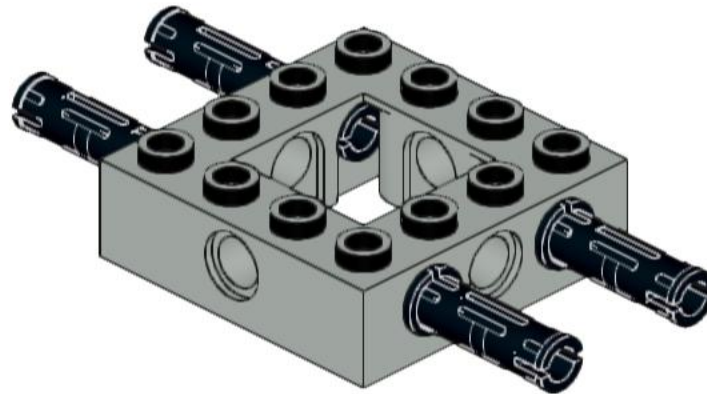
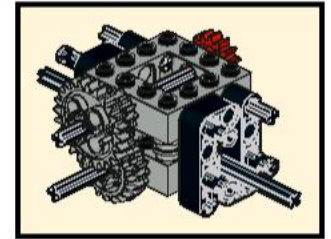


# 19

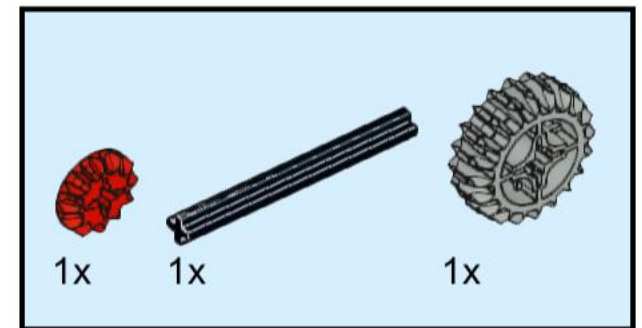
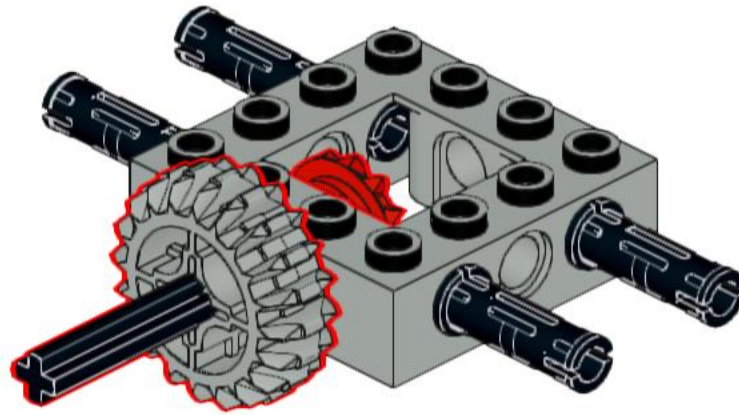




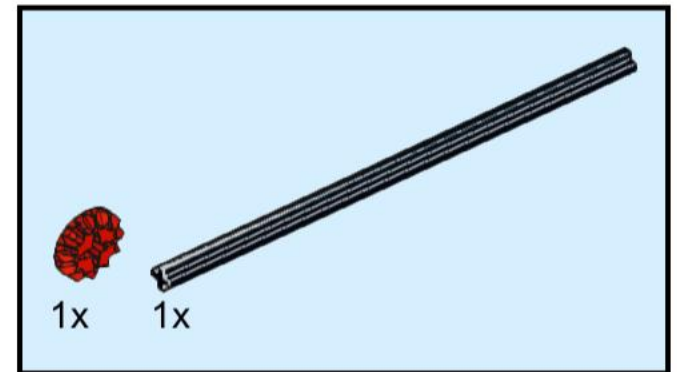
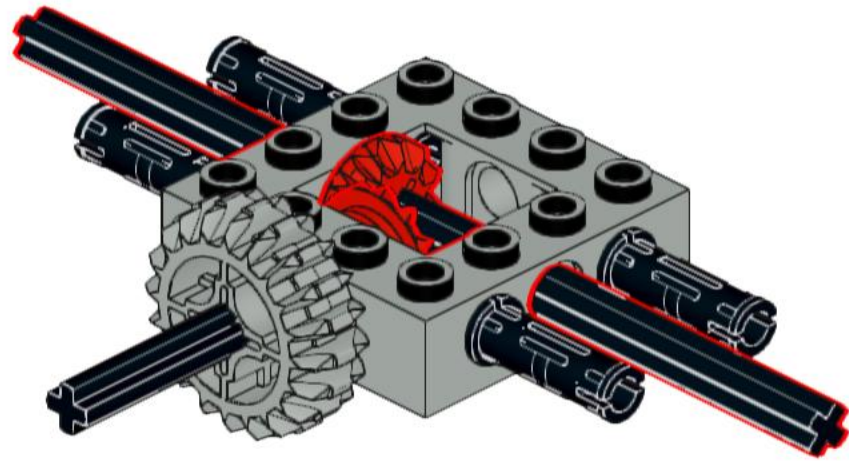
# 20



# 21

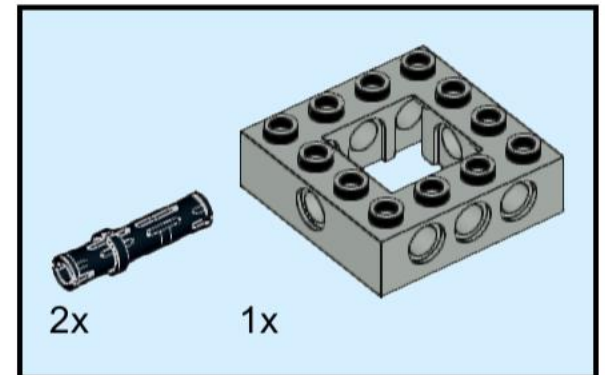
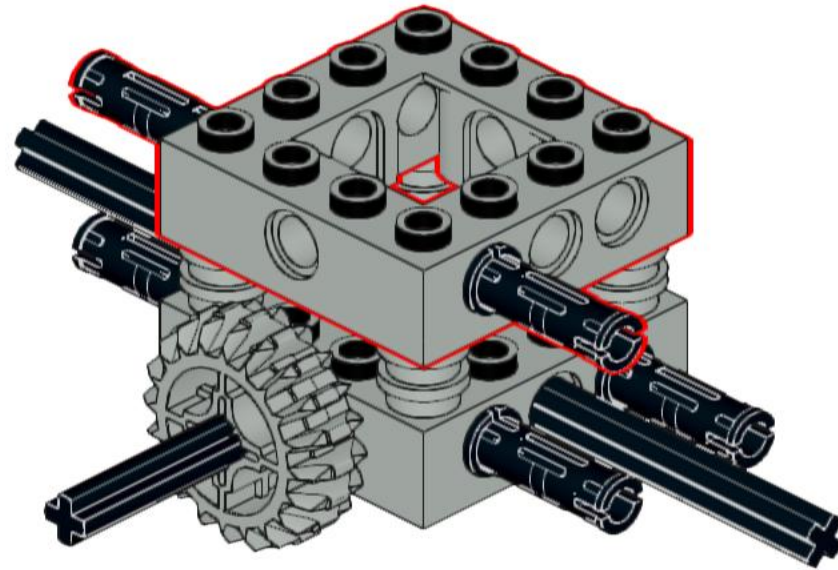


# 22



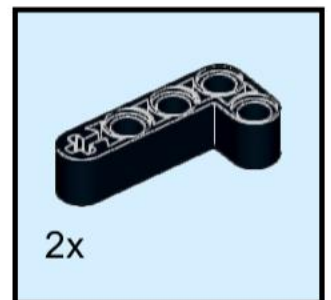
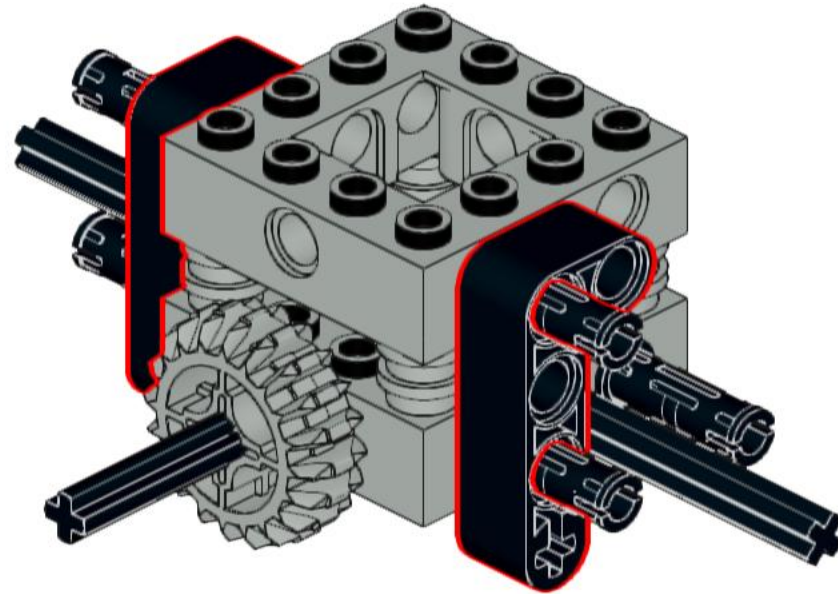


# 24

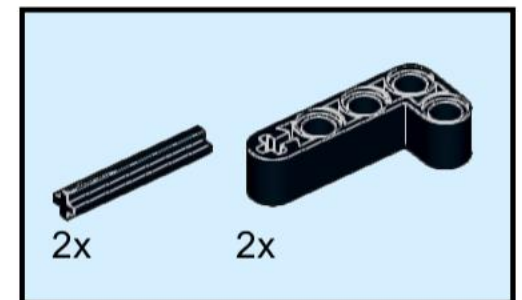
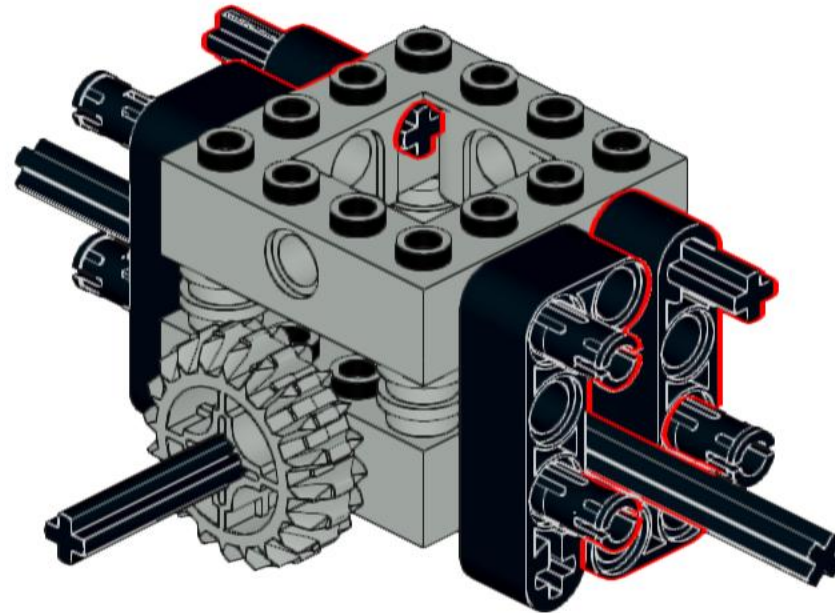




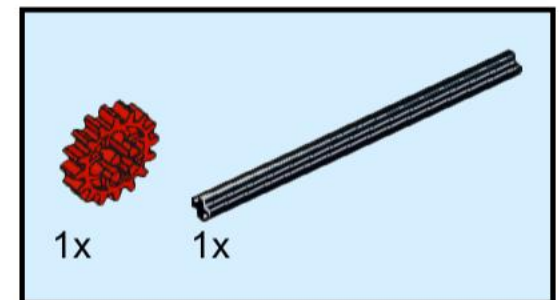
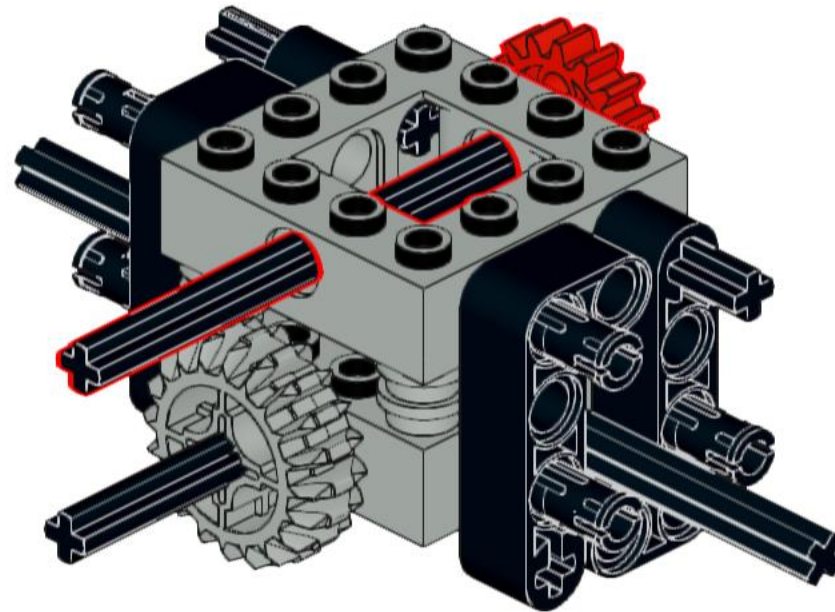
# 25



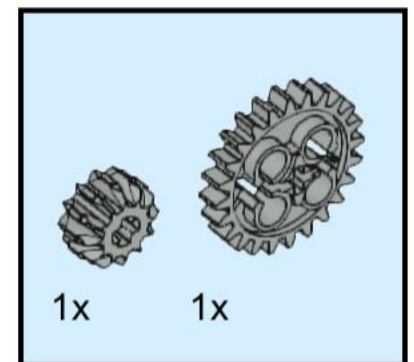
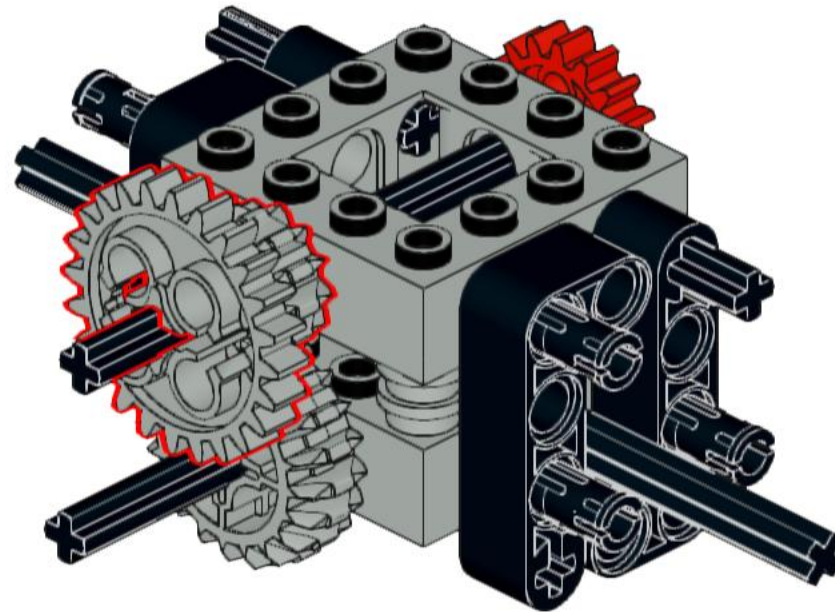
# 26



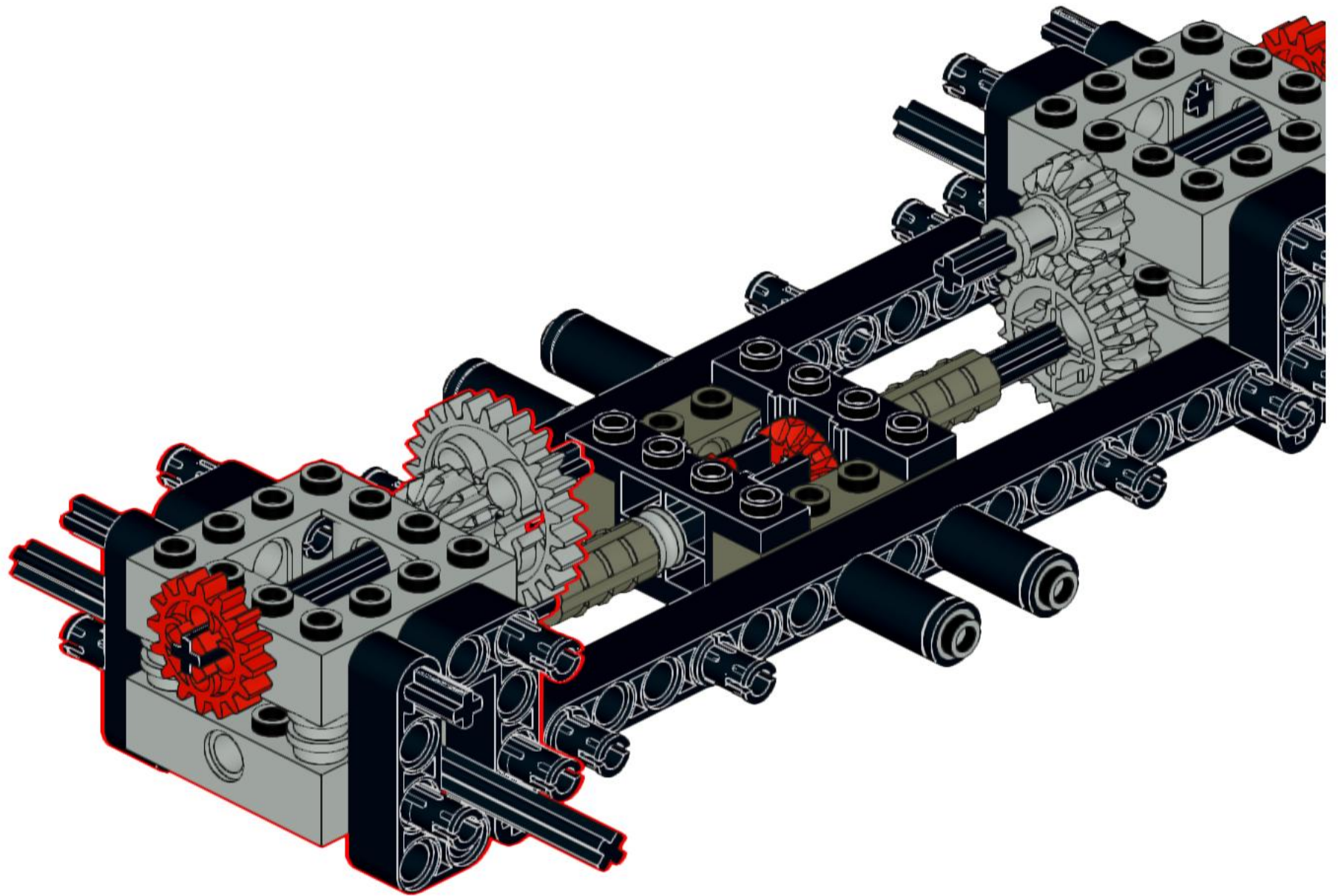
# 27



# 28

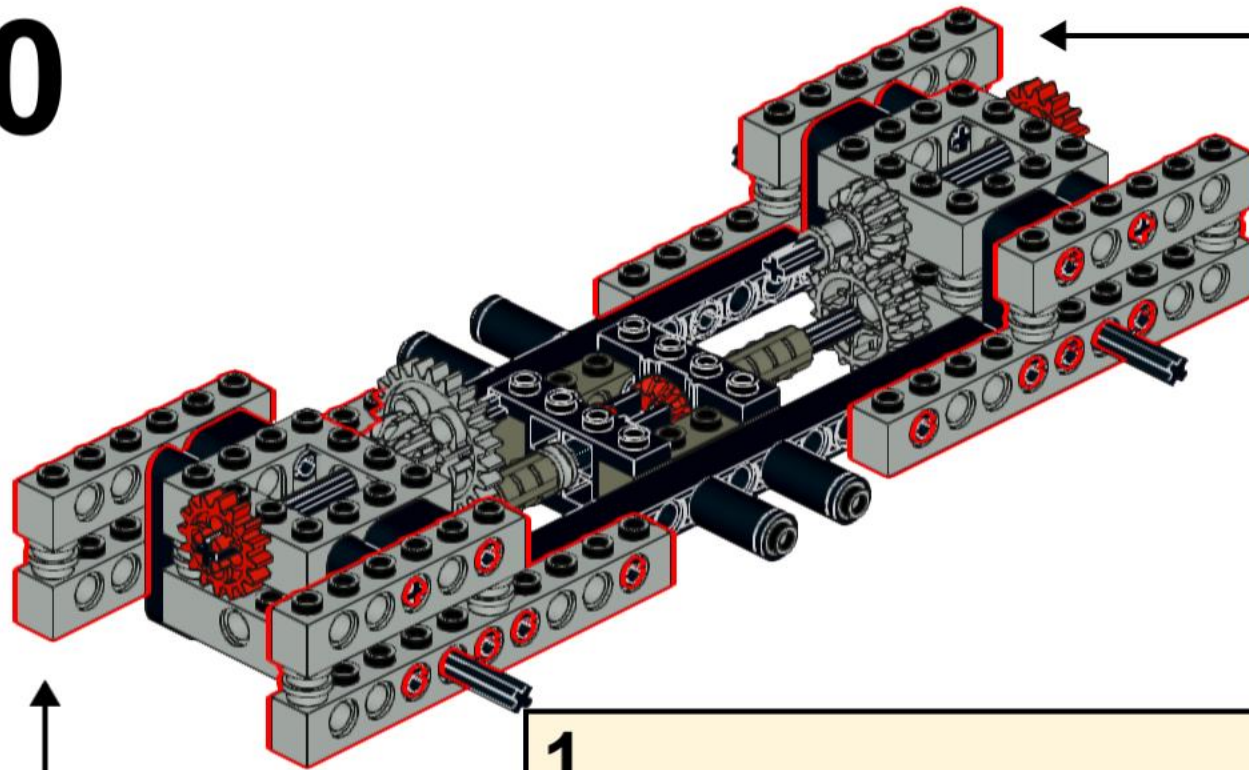


29

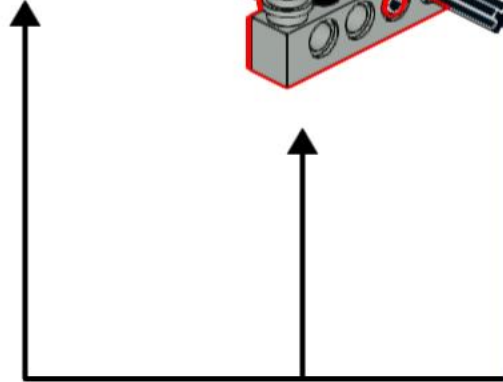




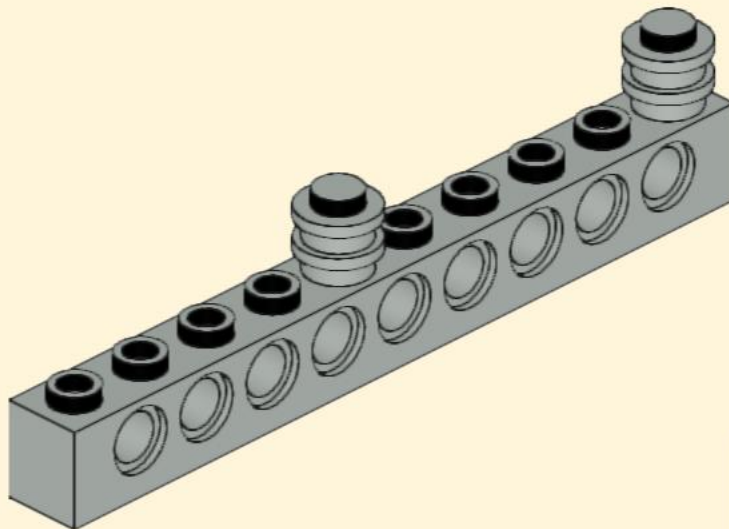
# 30



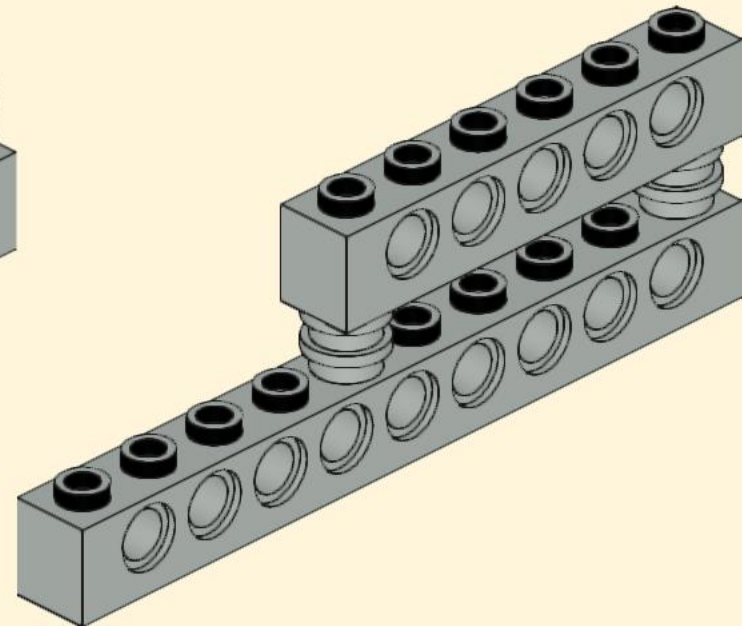
4x



1

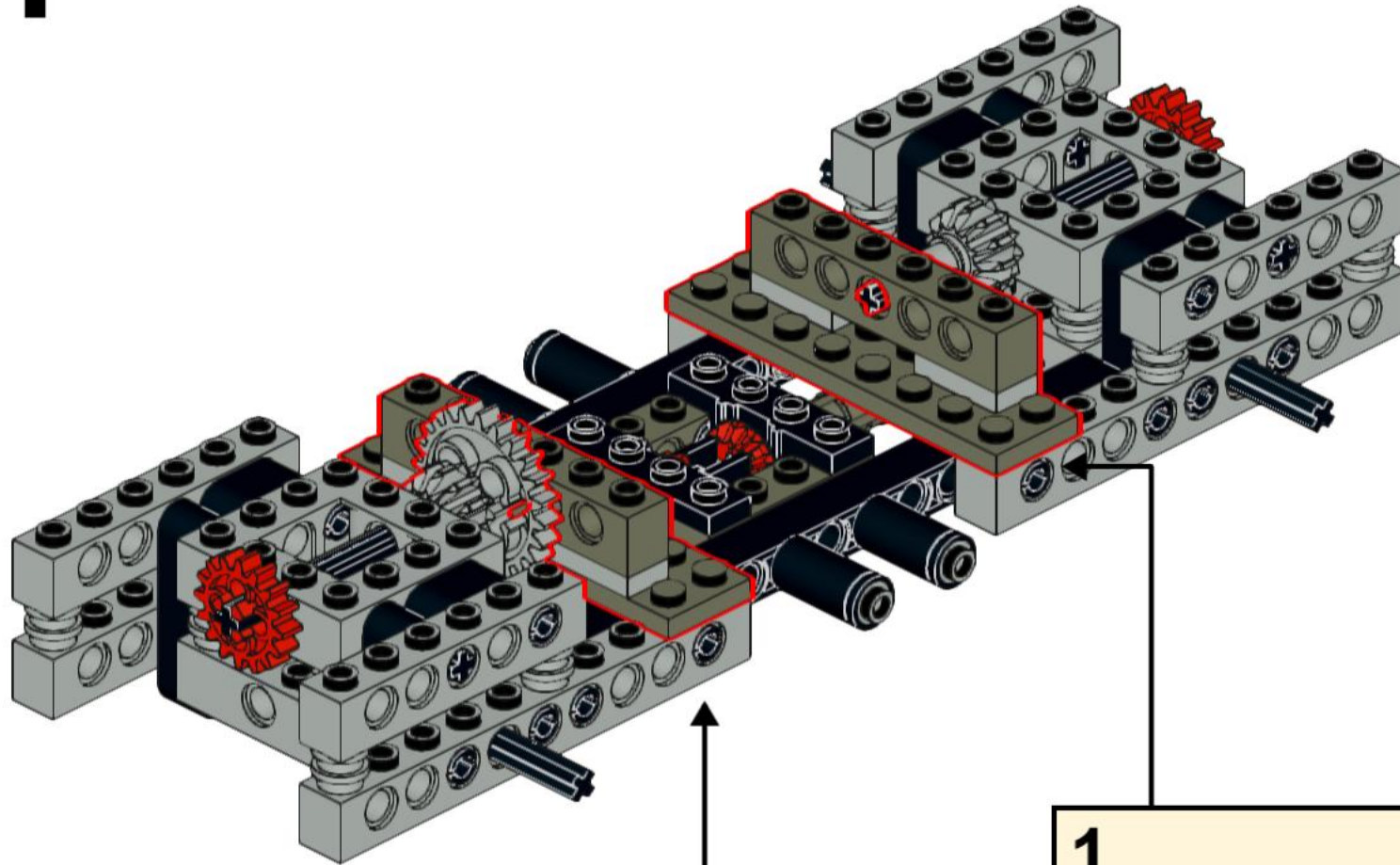


2

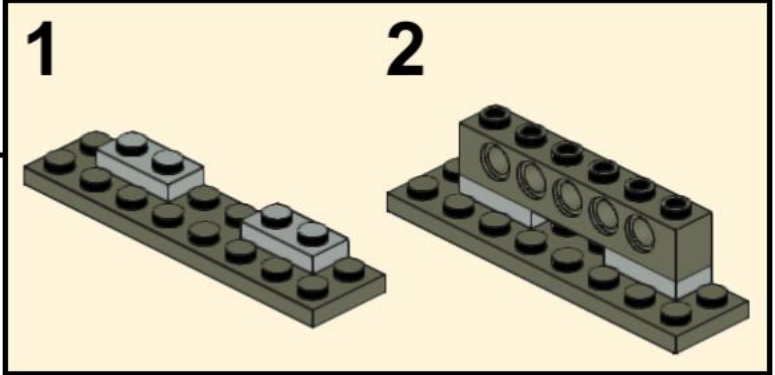




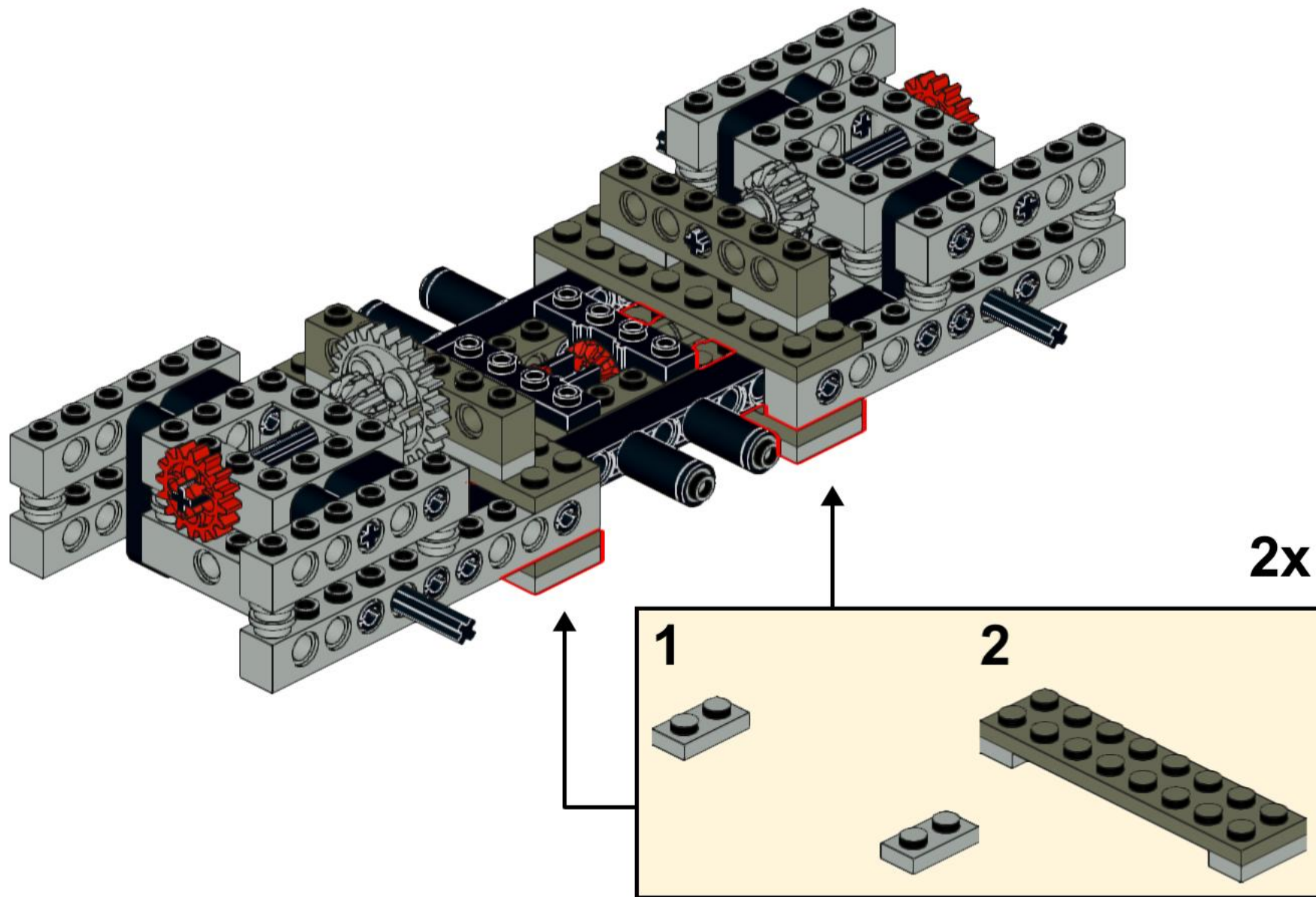
# 31



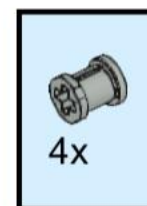
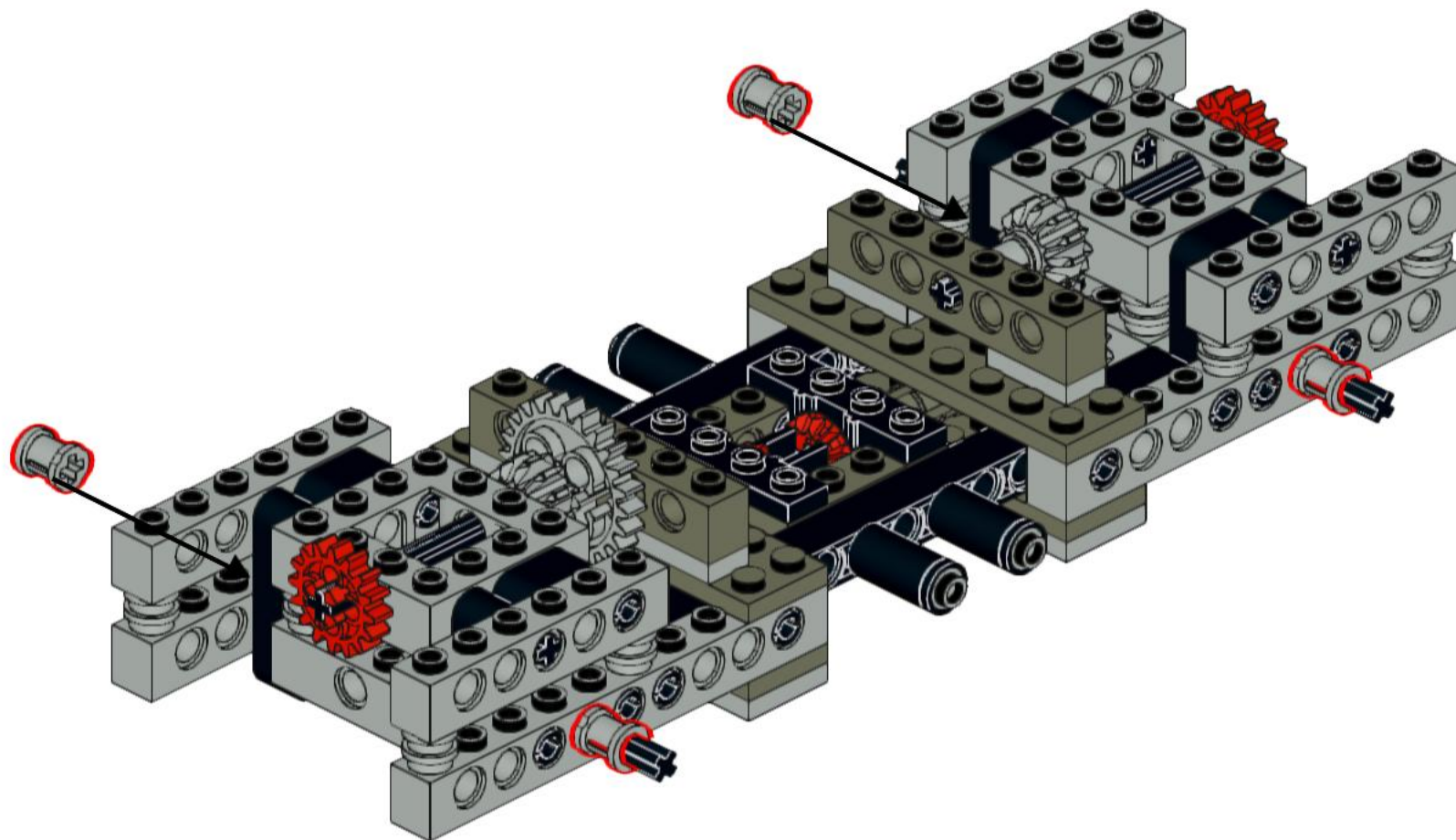
2x



# 32

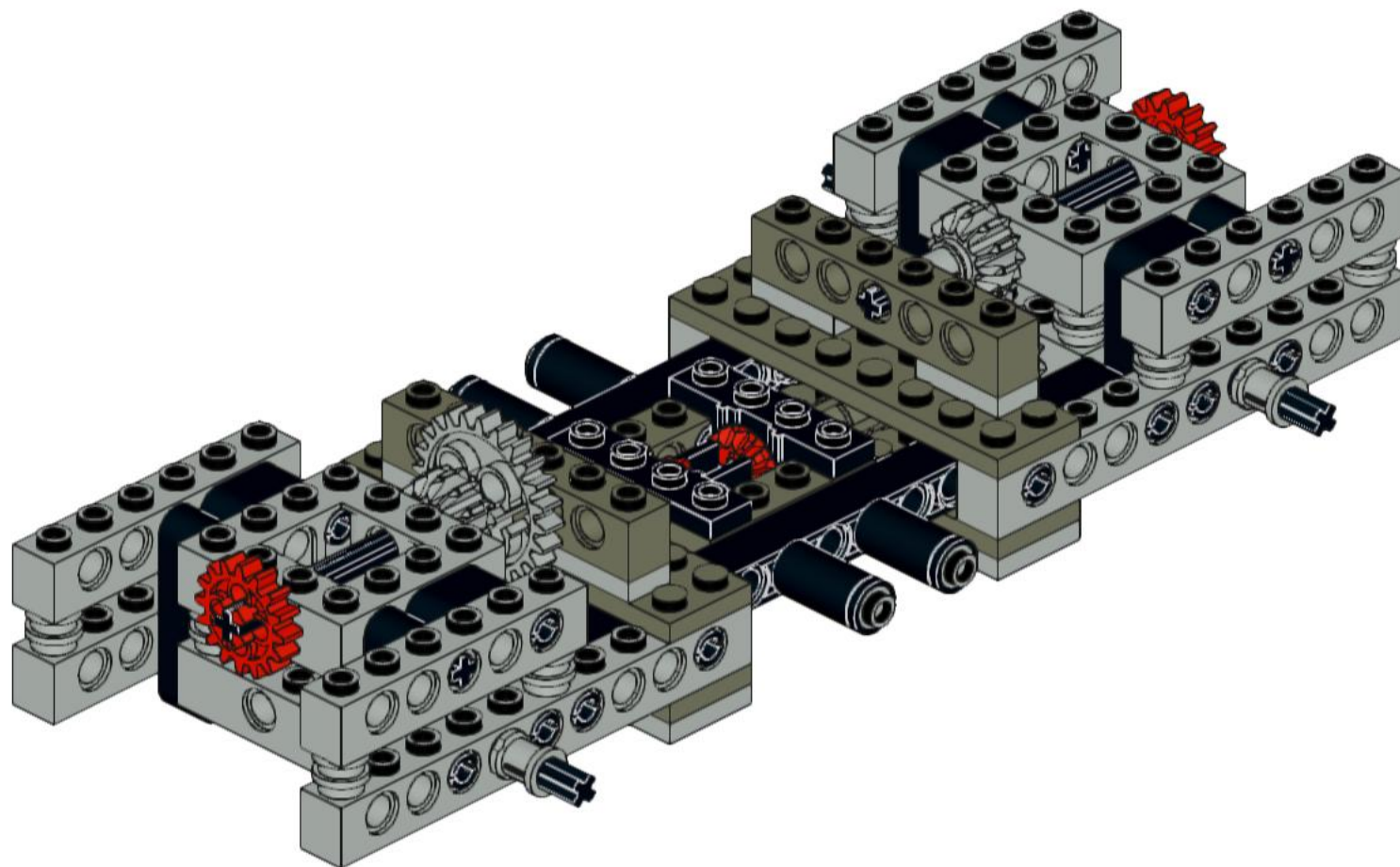


# 33

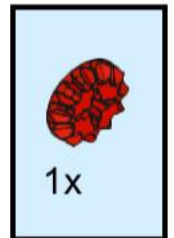
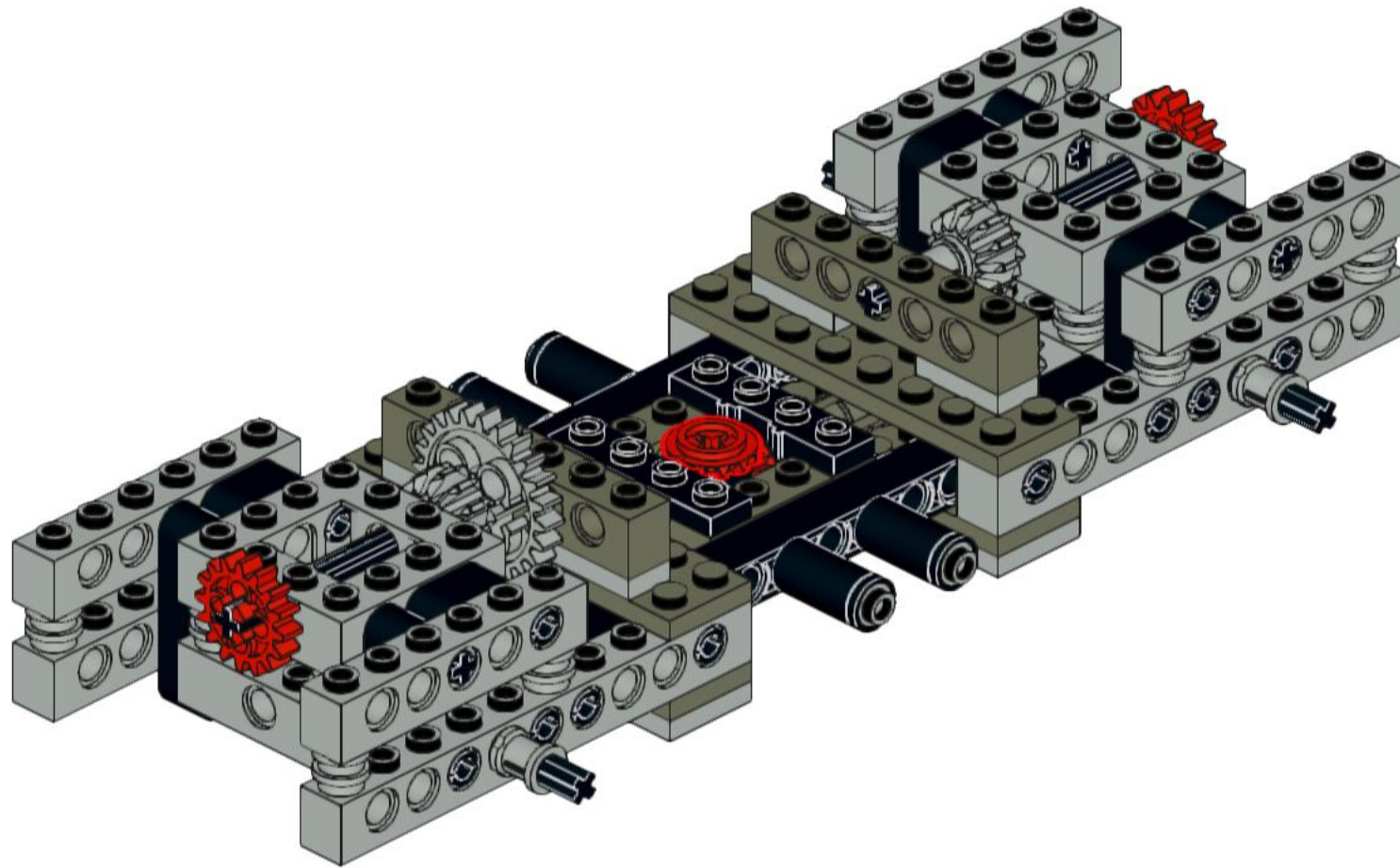




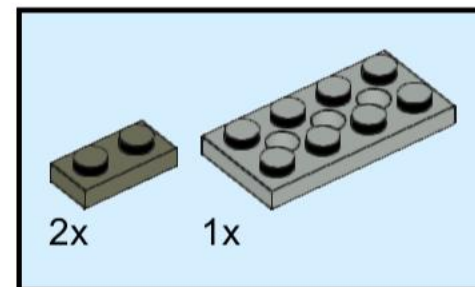
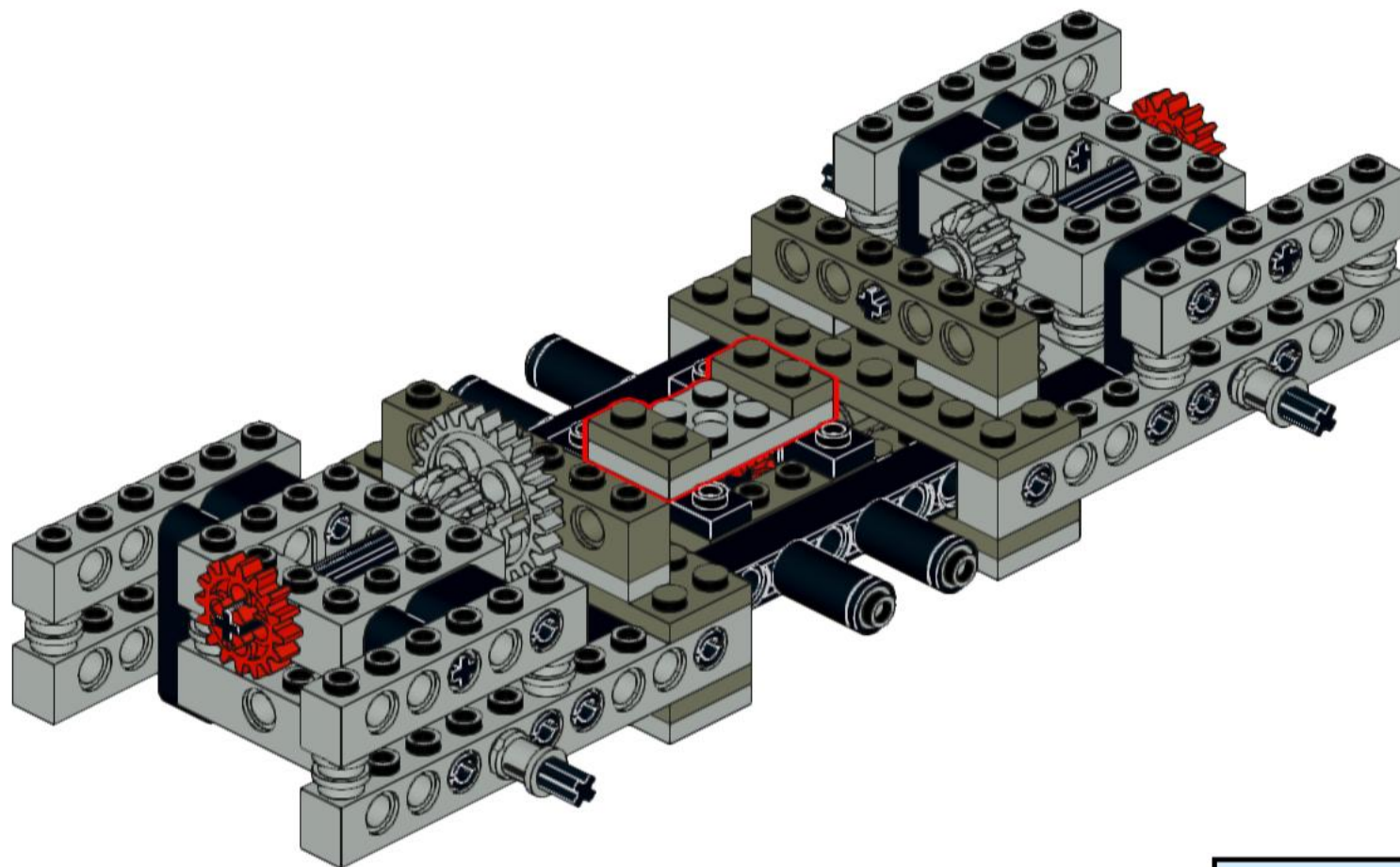
34



# 35

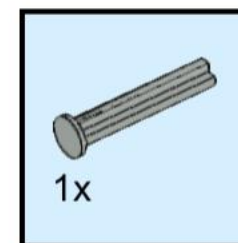
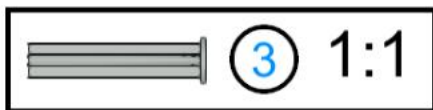
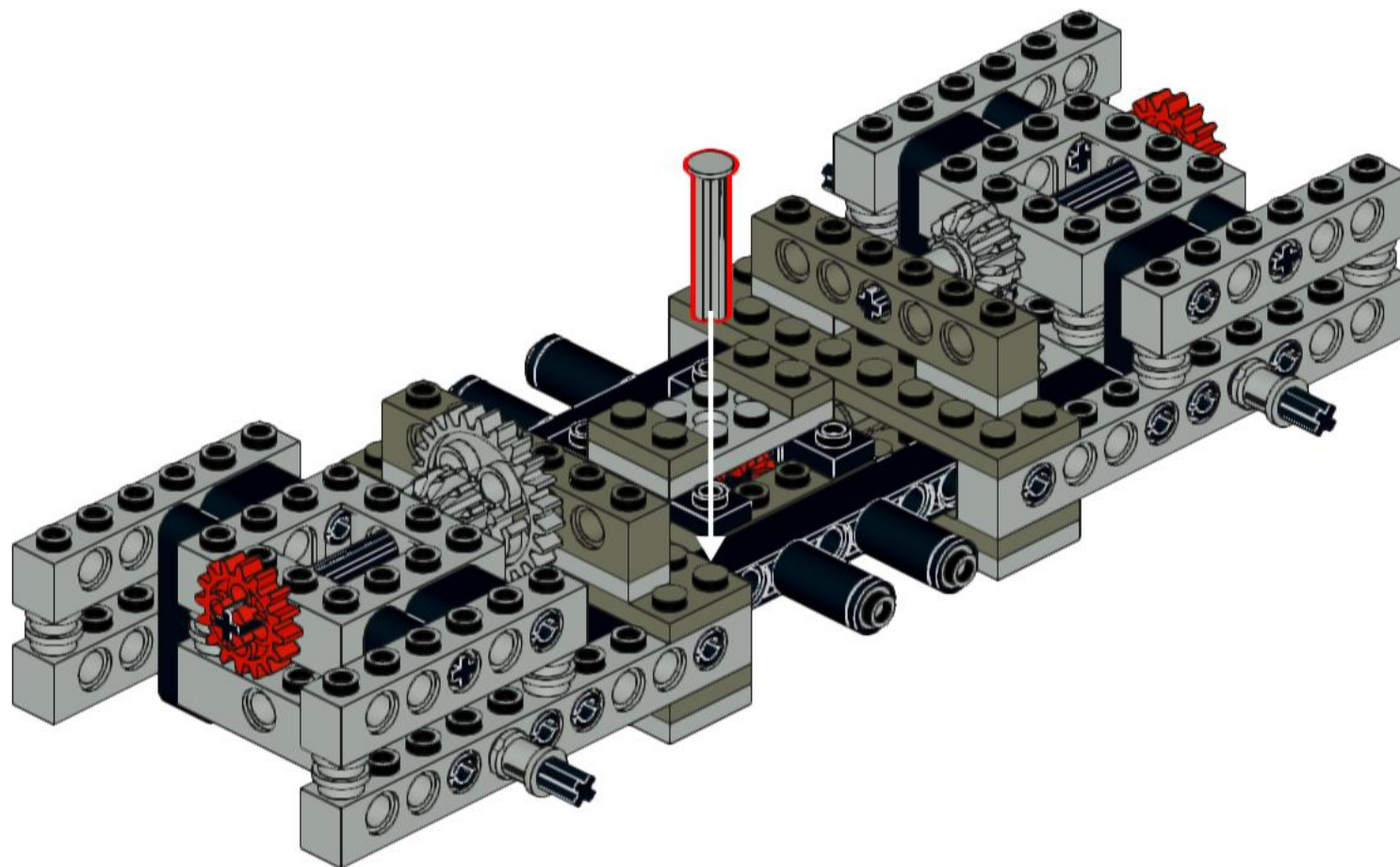


# 36

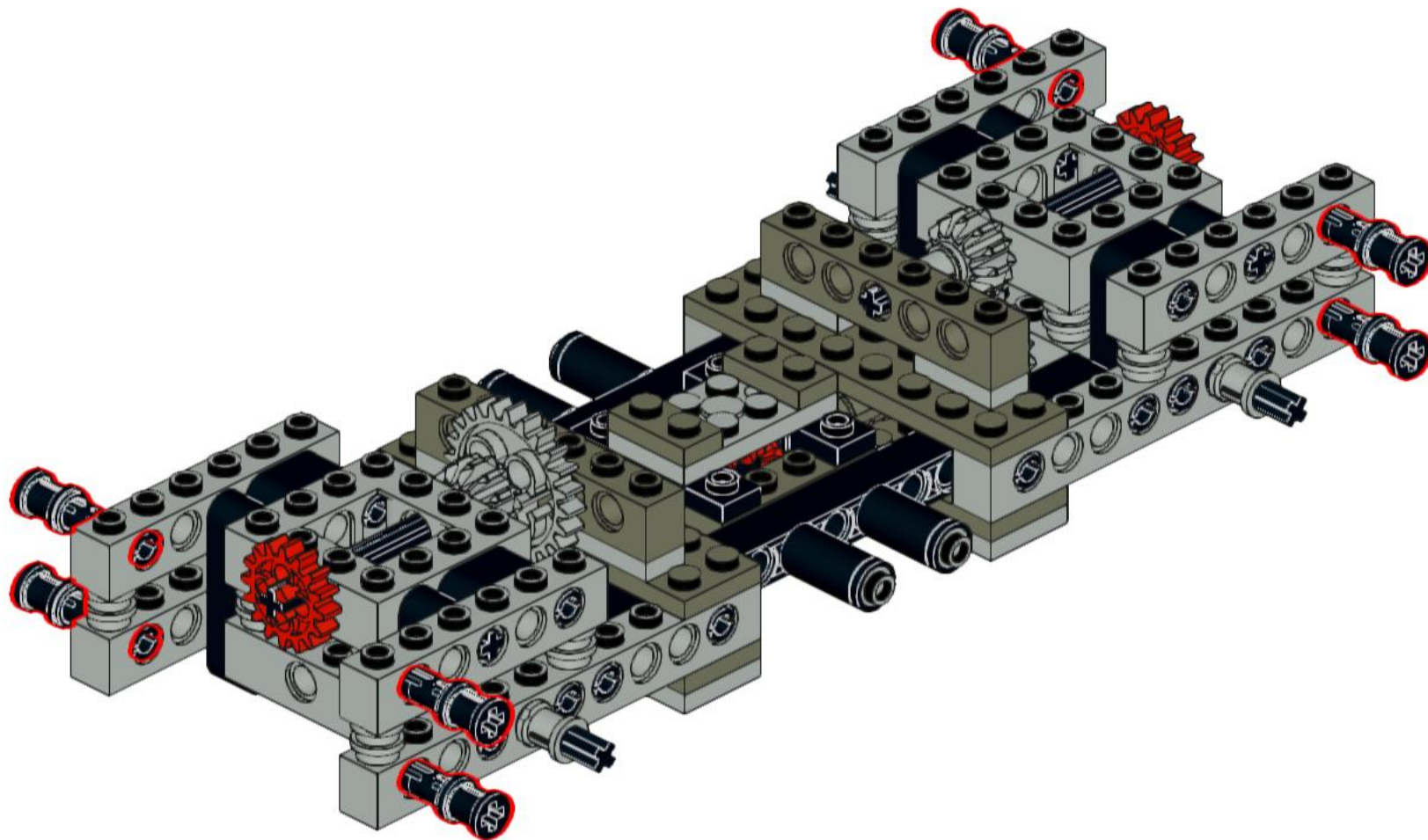




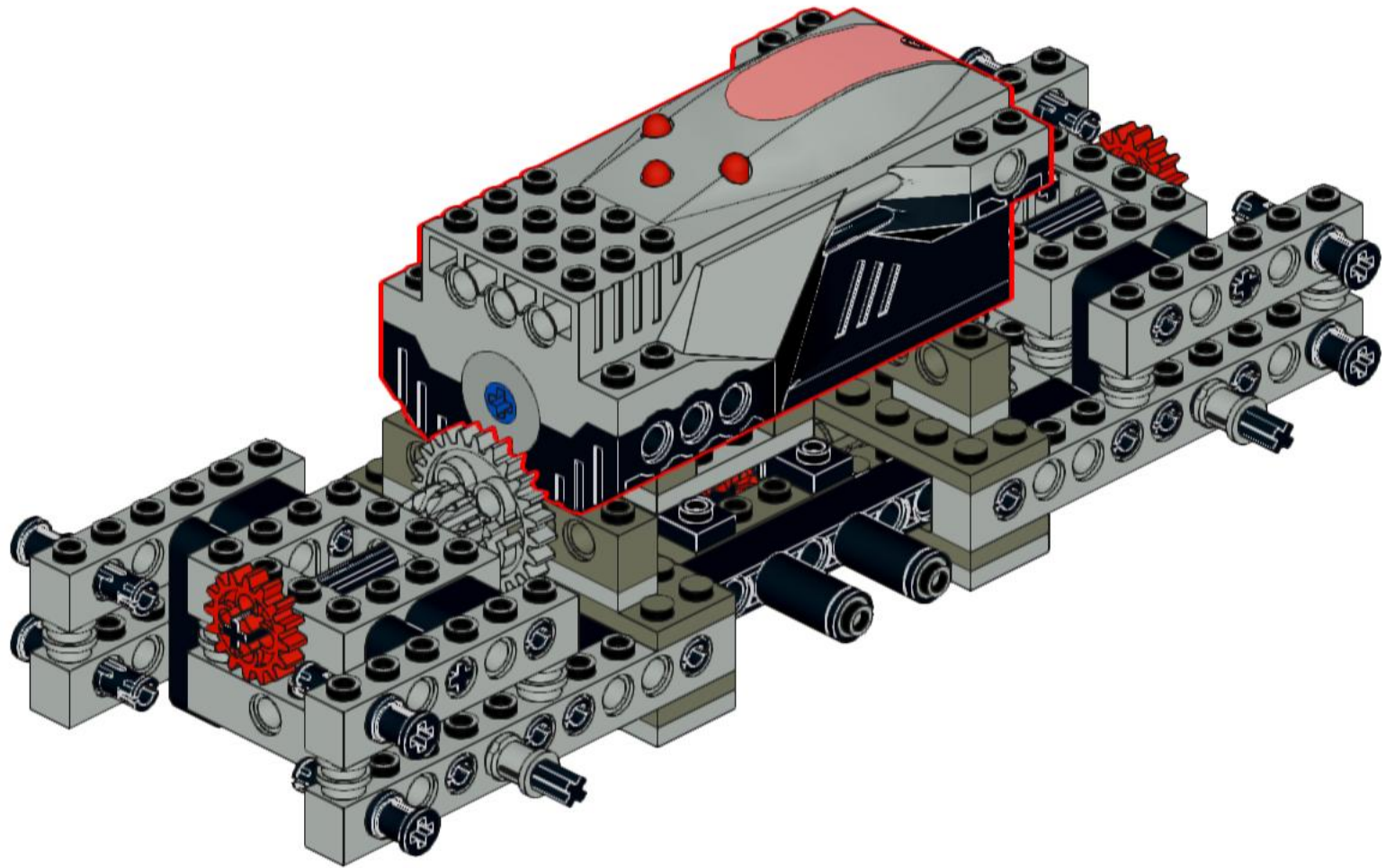
# 37



# 38

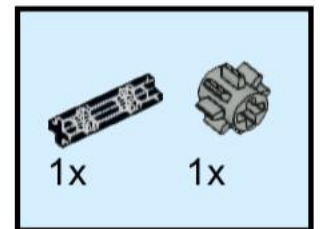
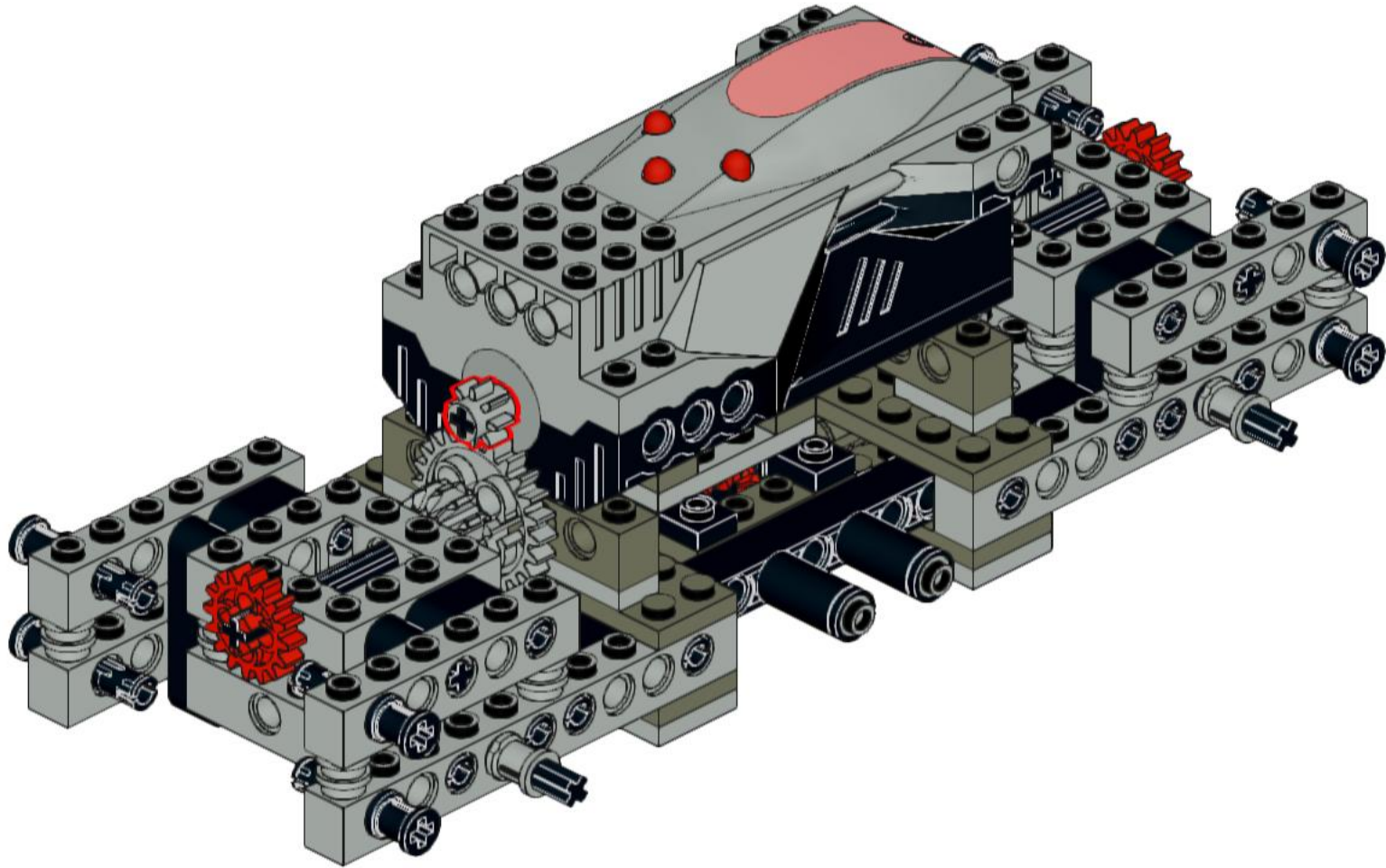


39

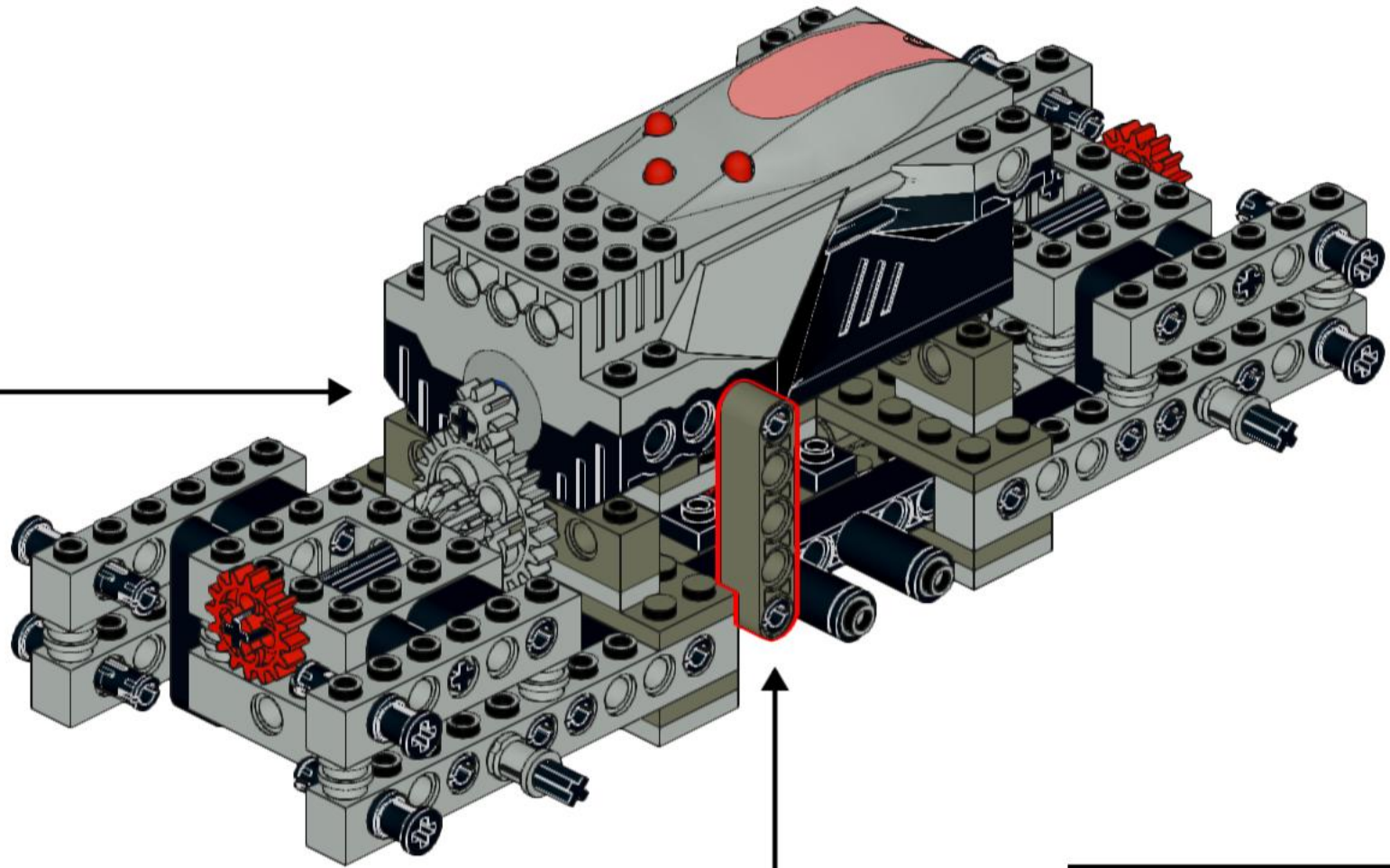




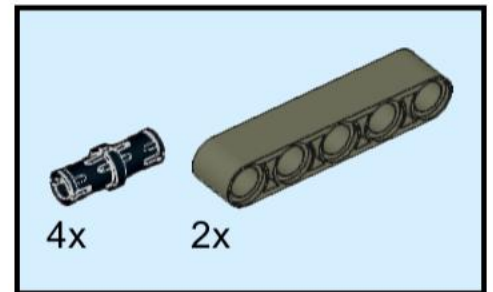
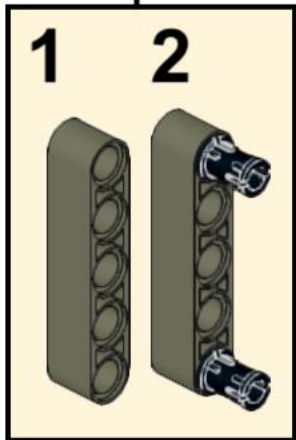
# 40



# 41



2x

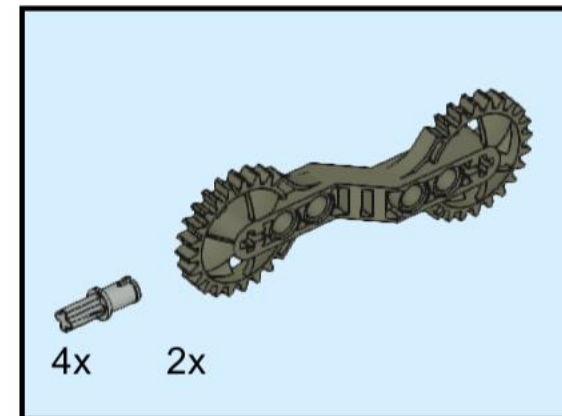
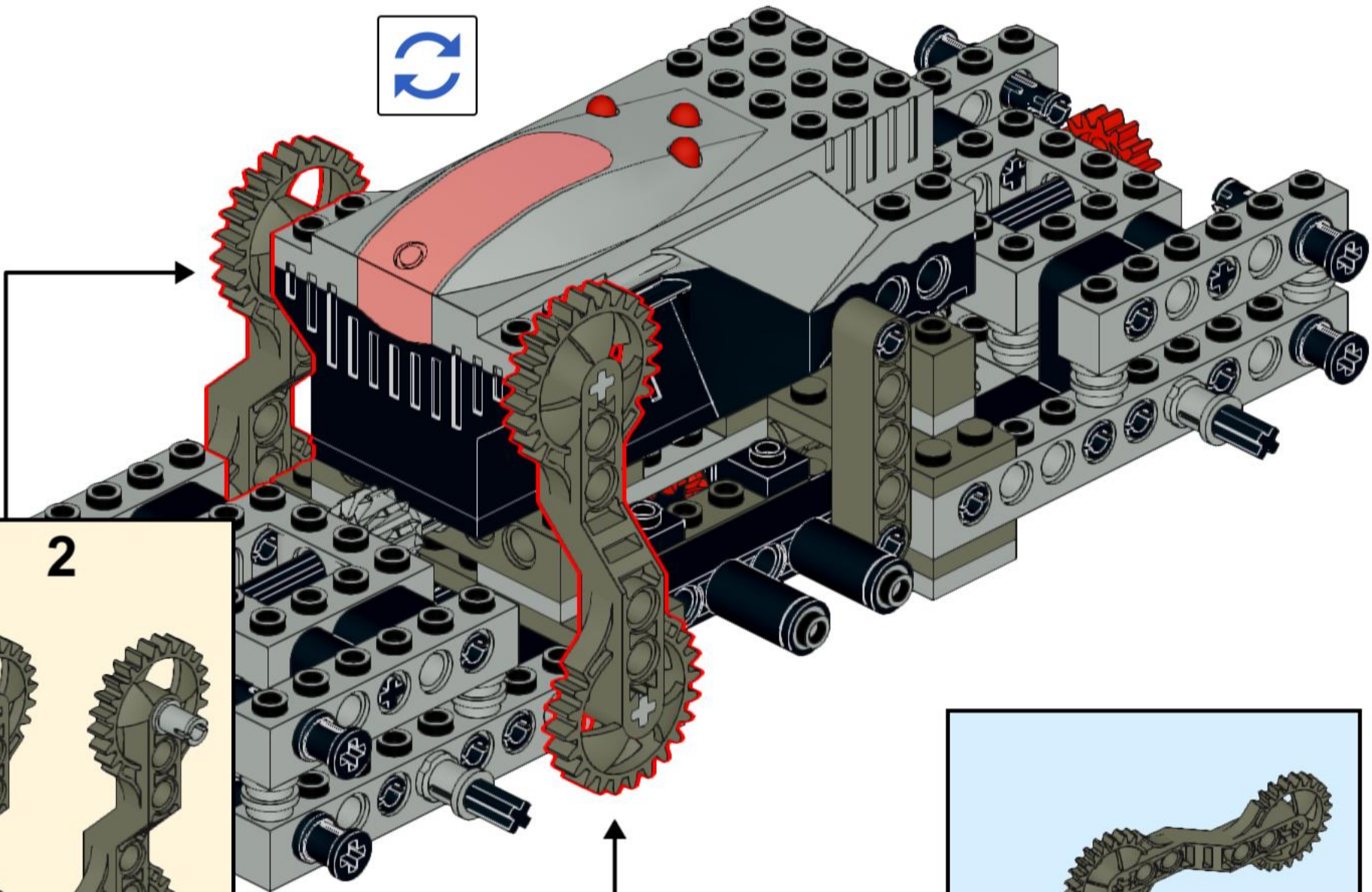
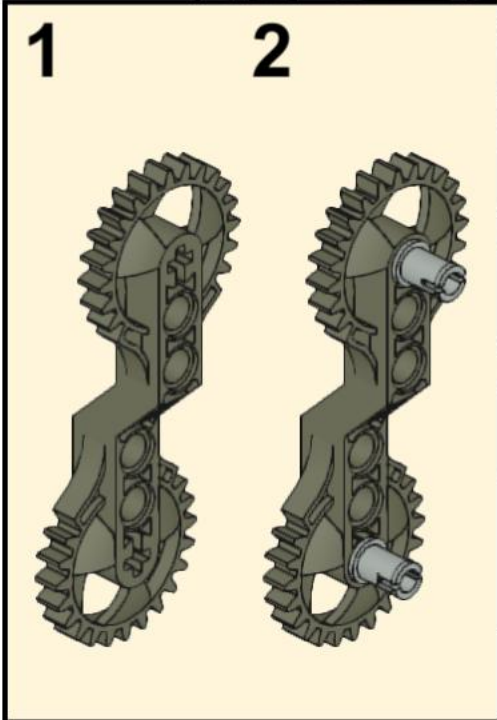




# 42

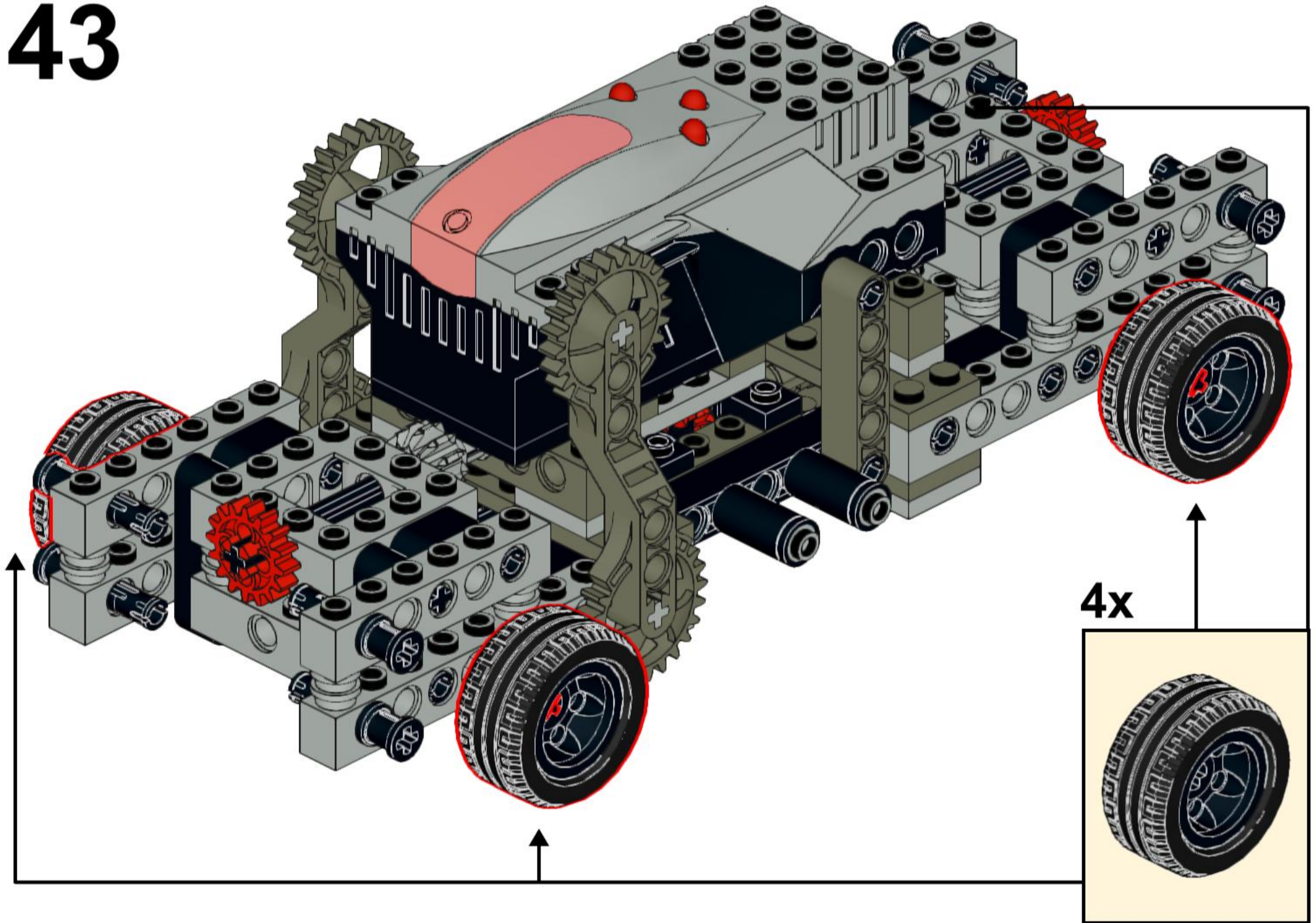


2x

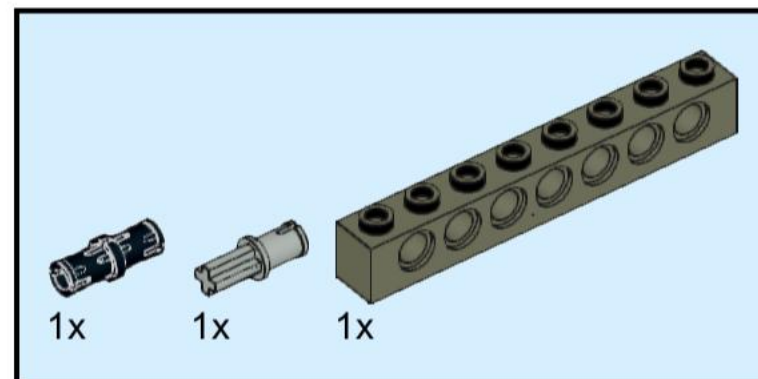
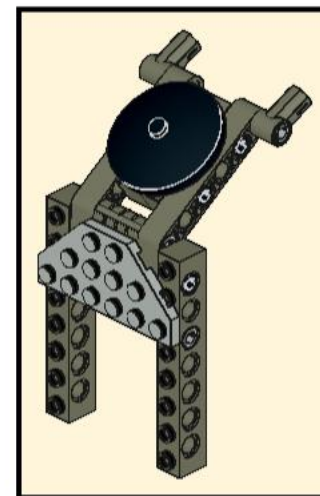
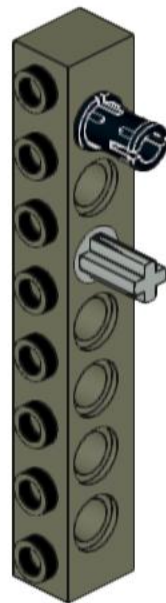




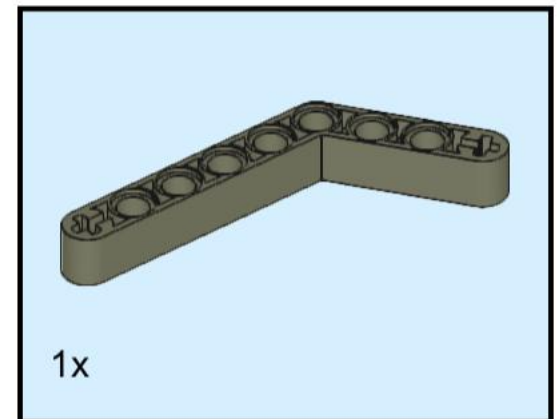
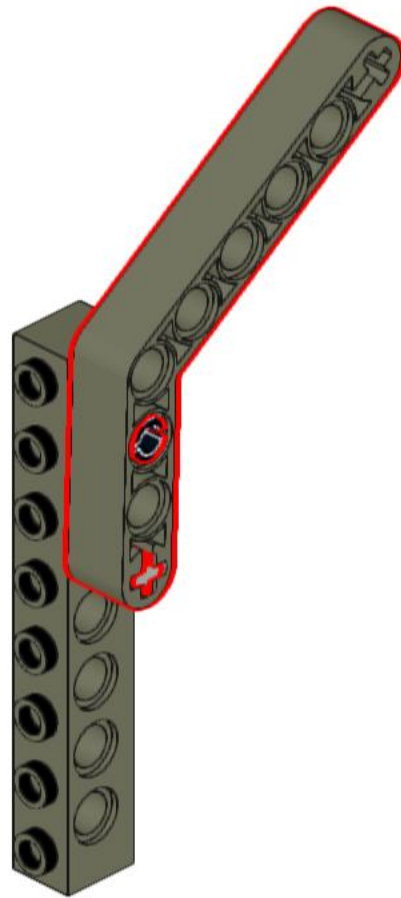
# 43



# 44



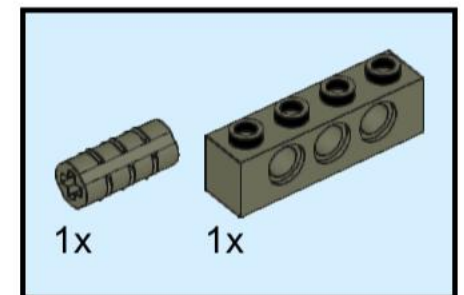
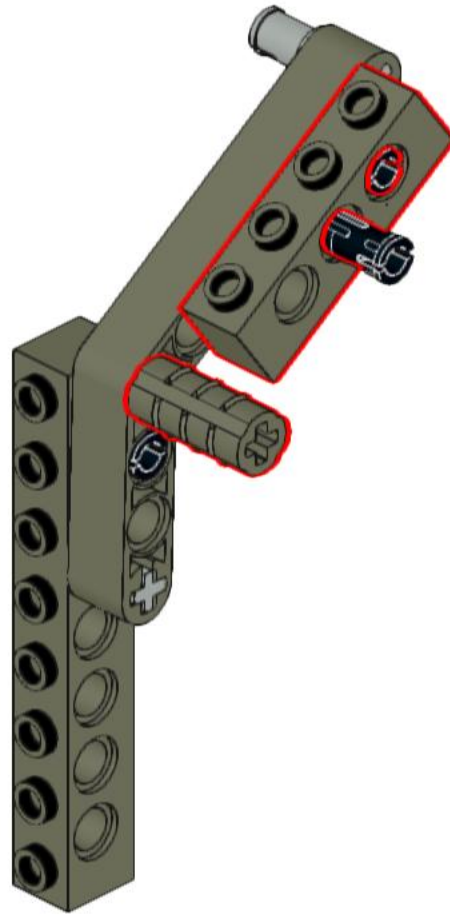
# 45



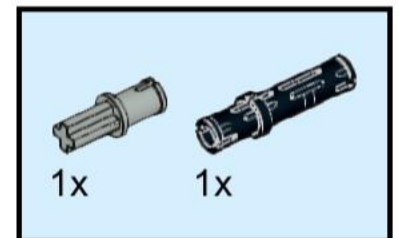
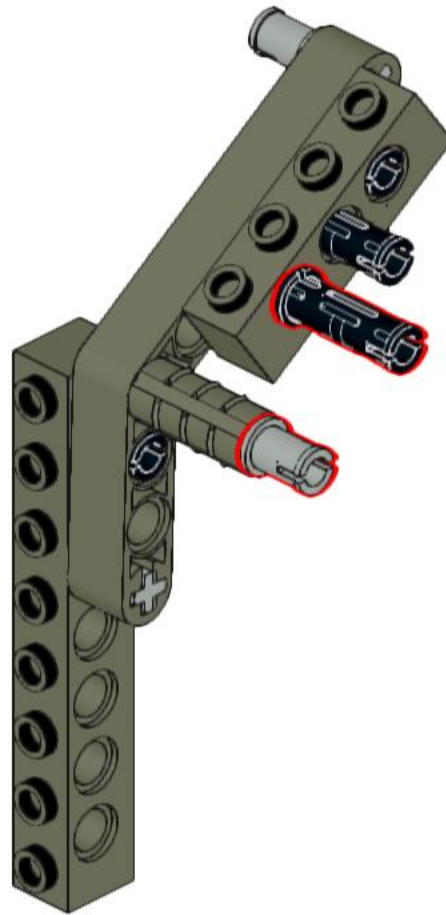
1x



# 47

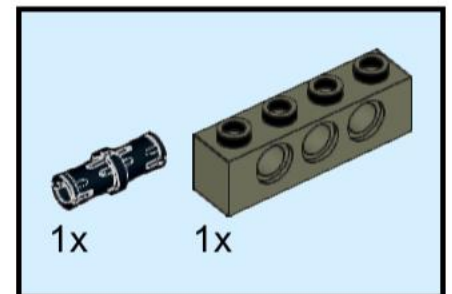
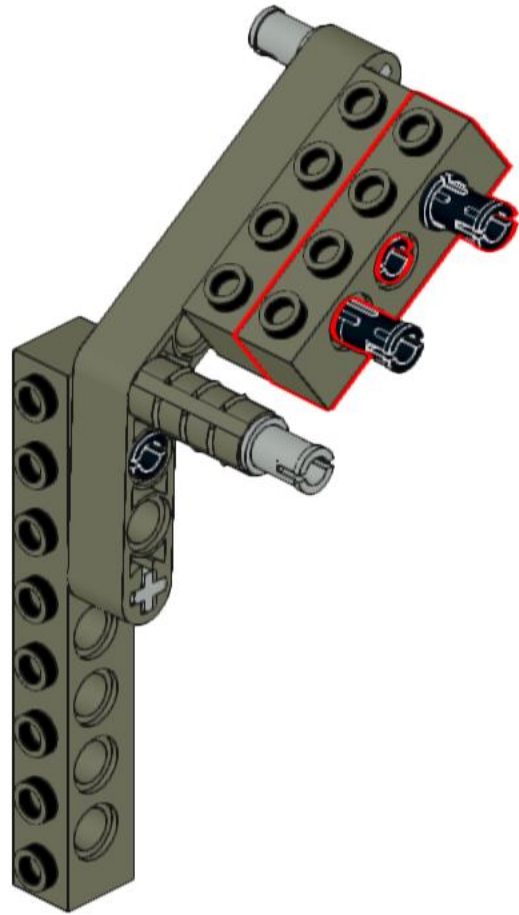


# 48

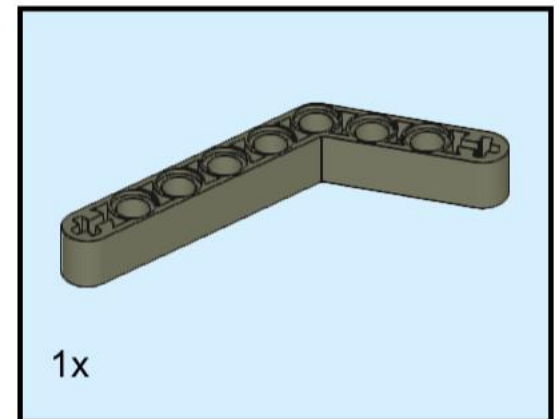
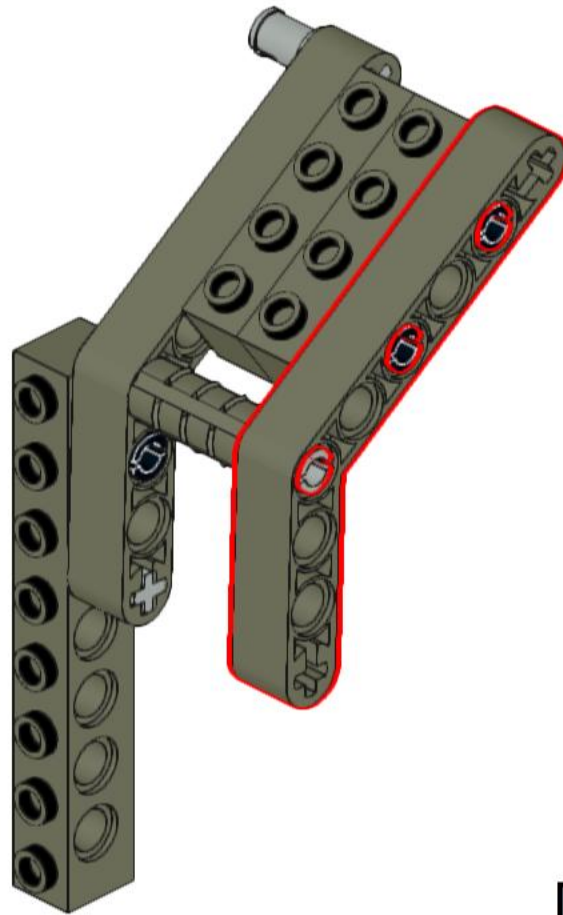




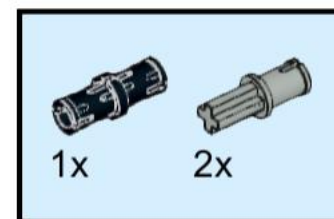
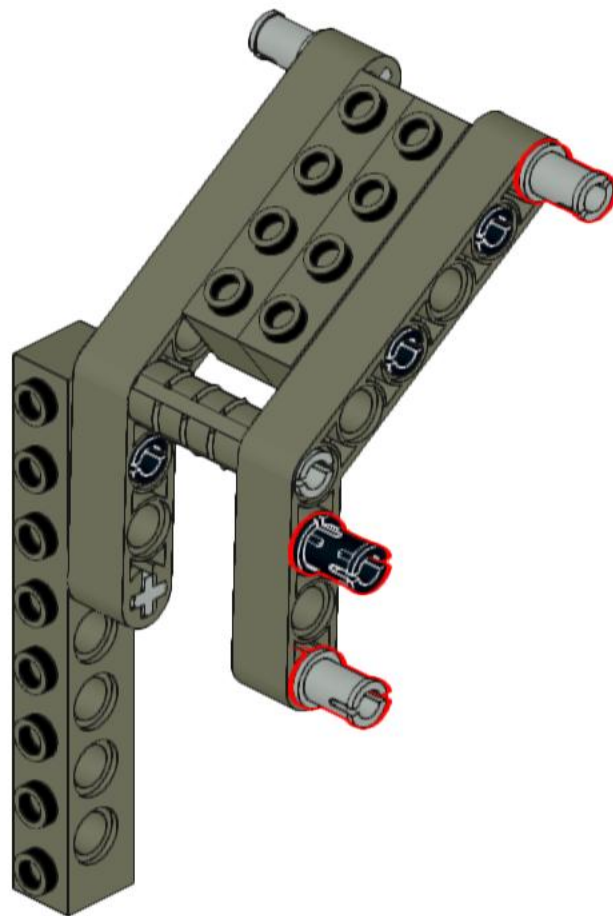
# 49



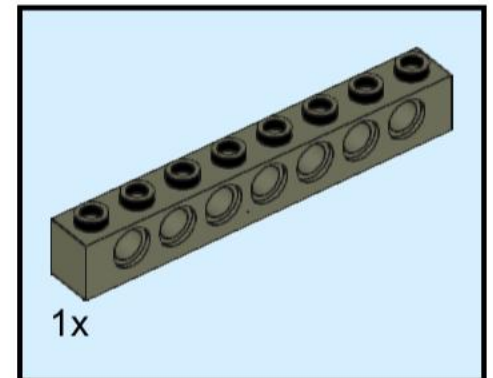
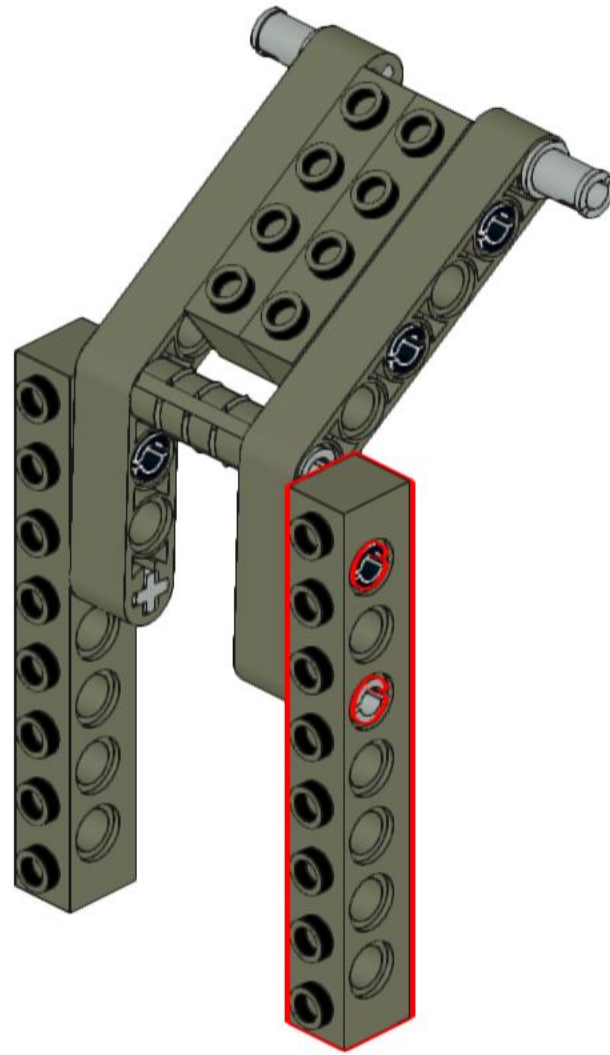
# 50



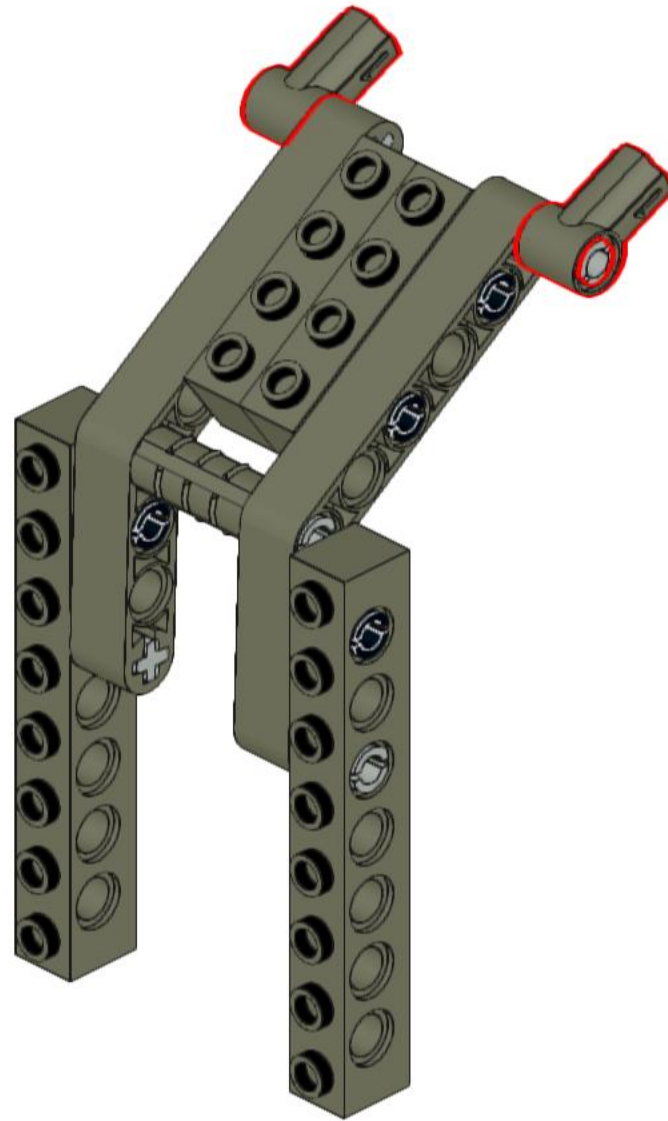
# 51



# 52

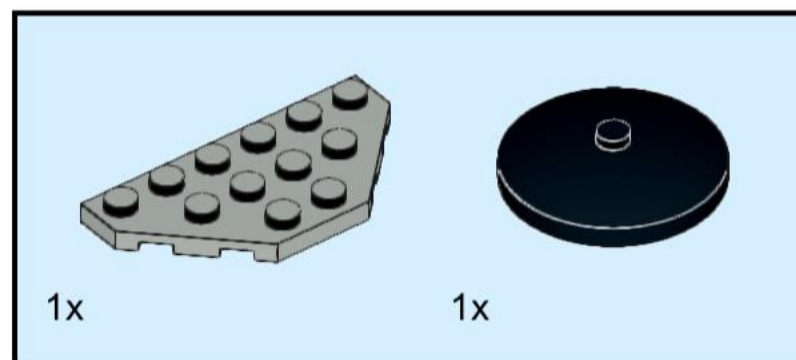
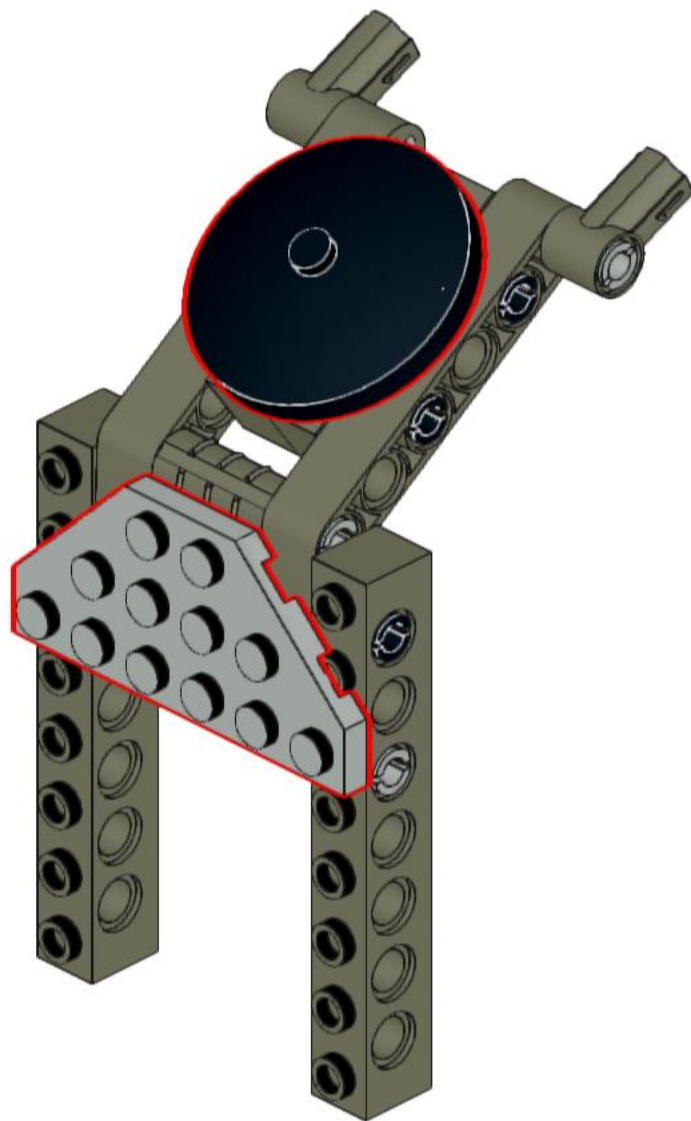


# 53

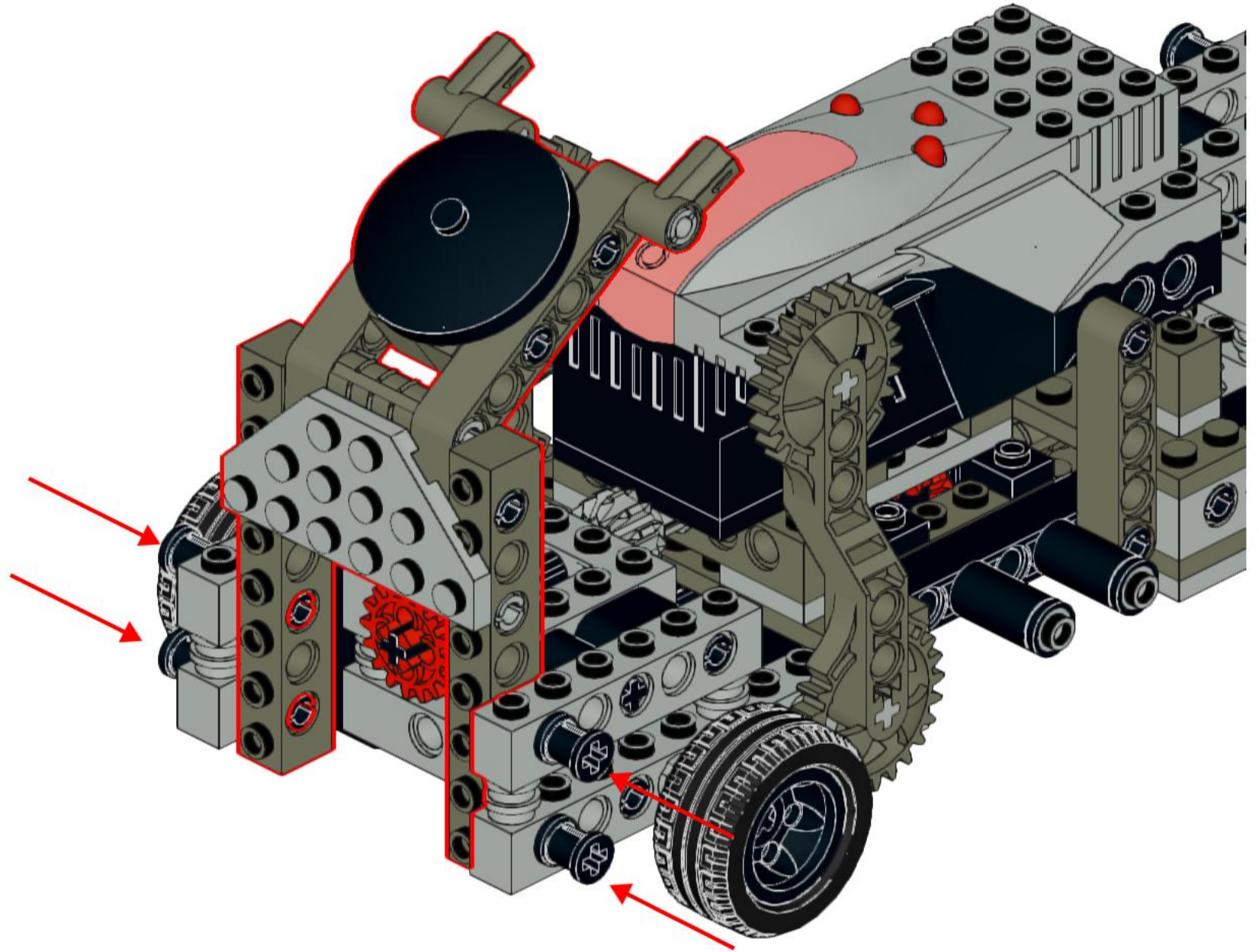




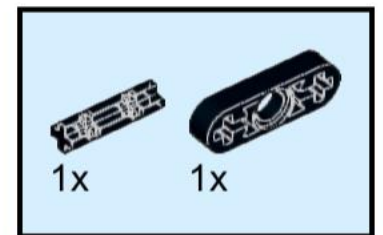
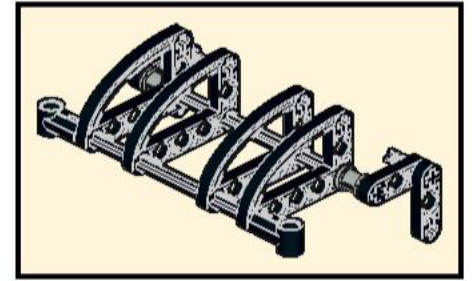
# 54



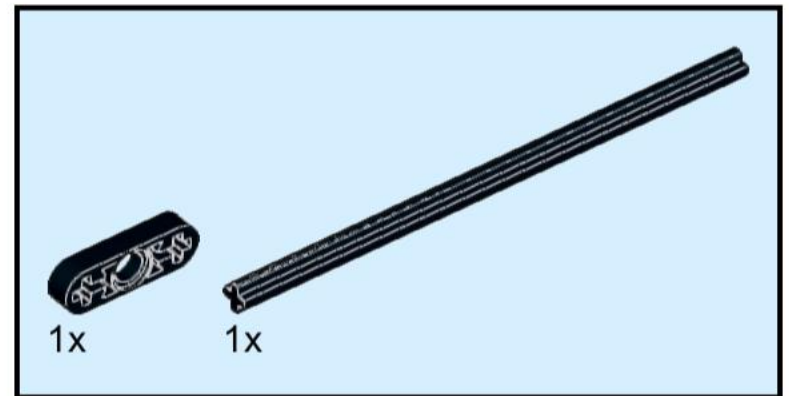
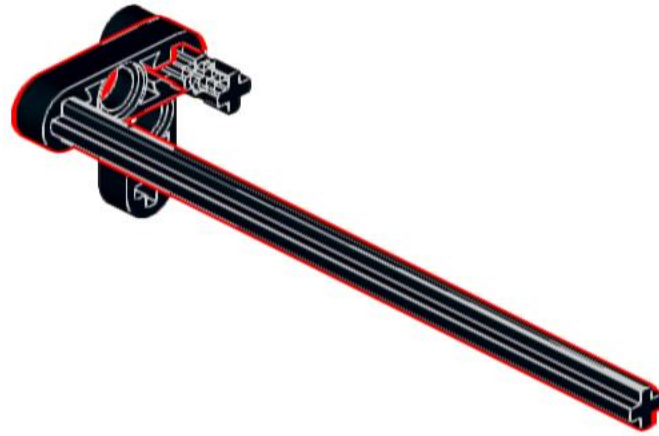
# 55



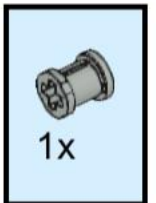
# 56



# 57

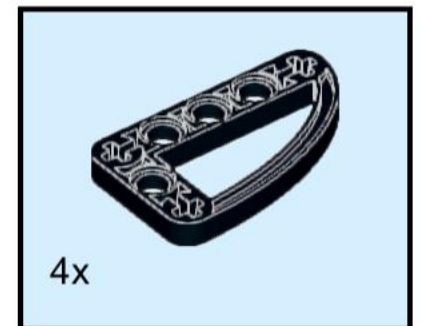
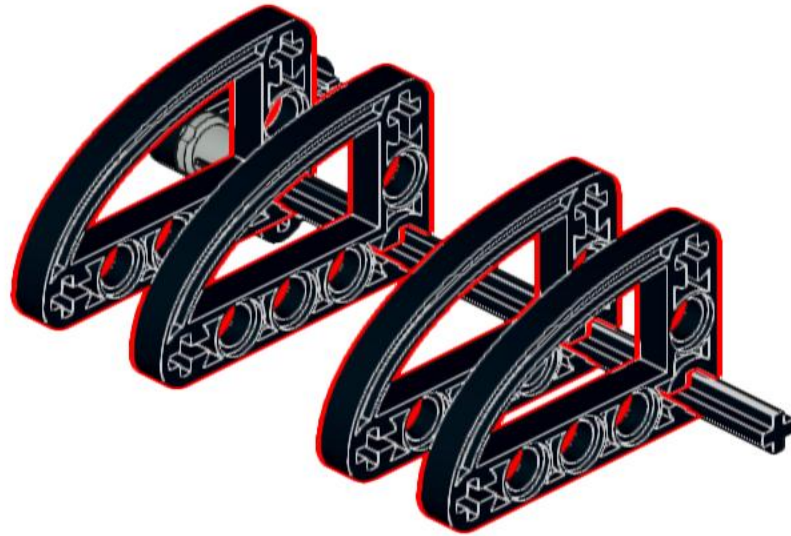


# 58

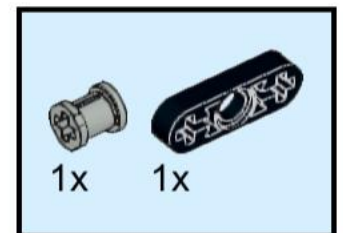
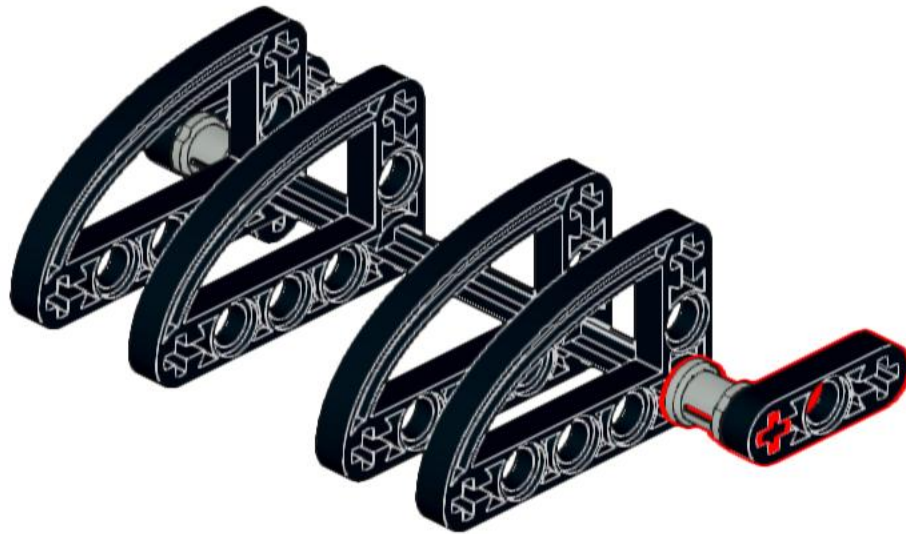




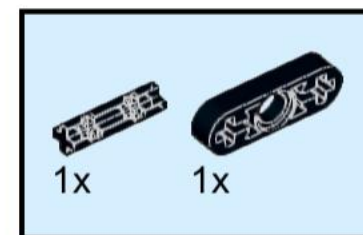
# 59



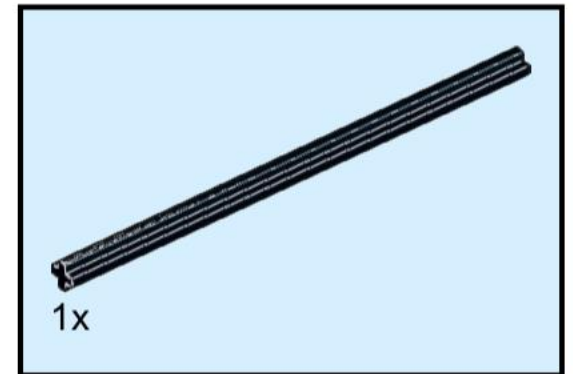
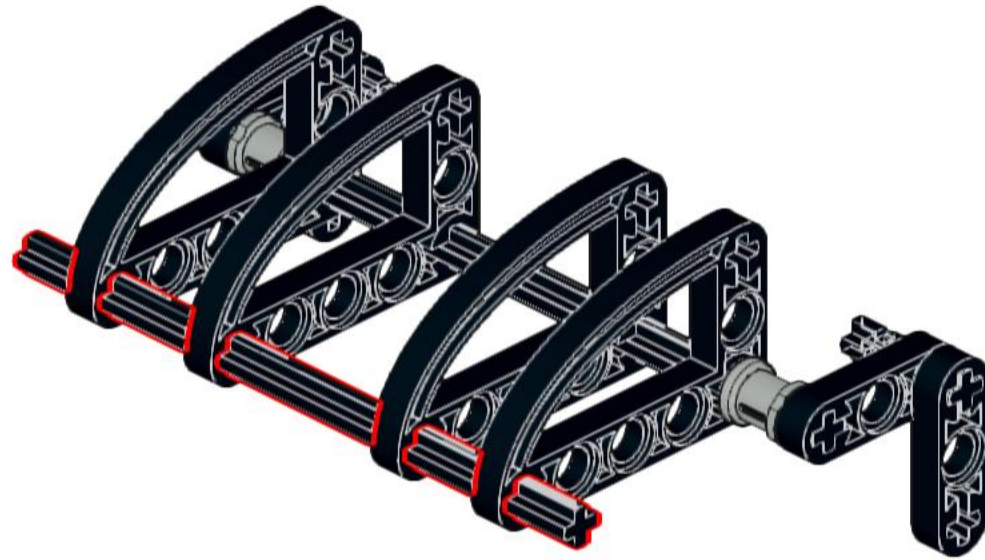
# 60



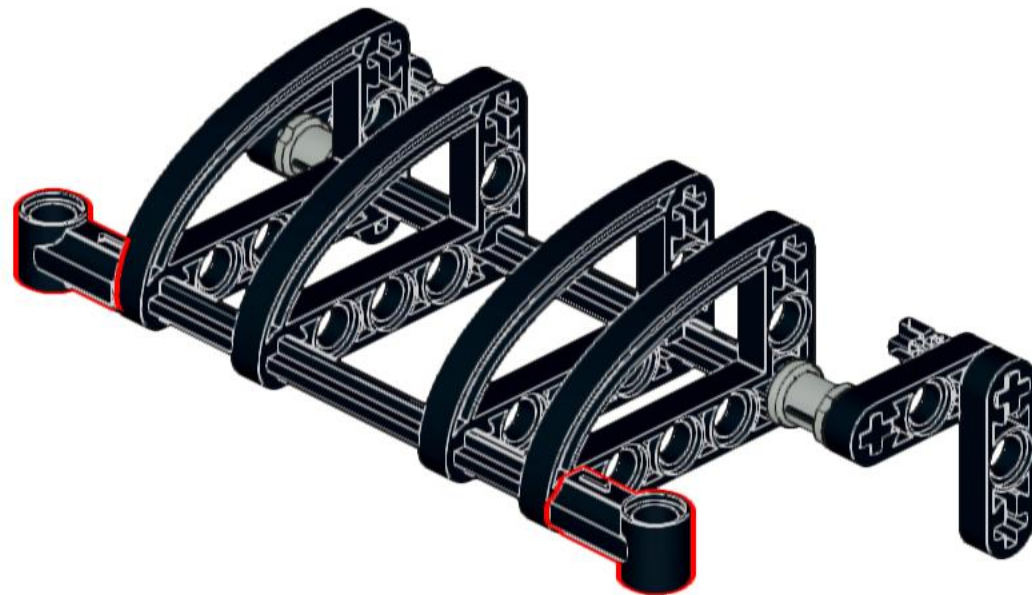
# 61



# 62

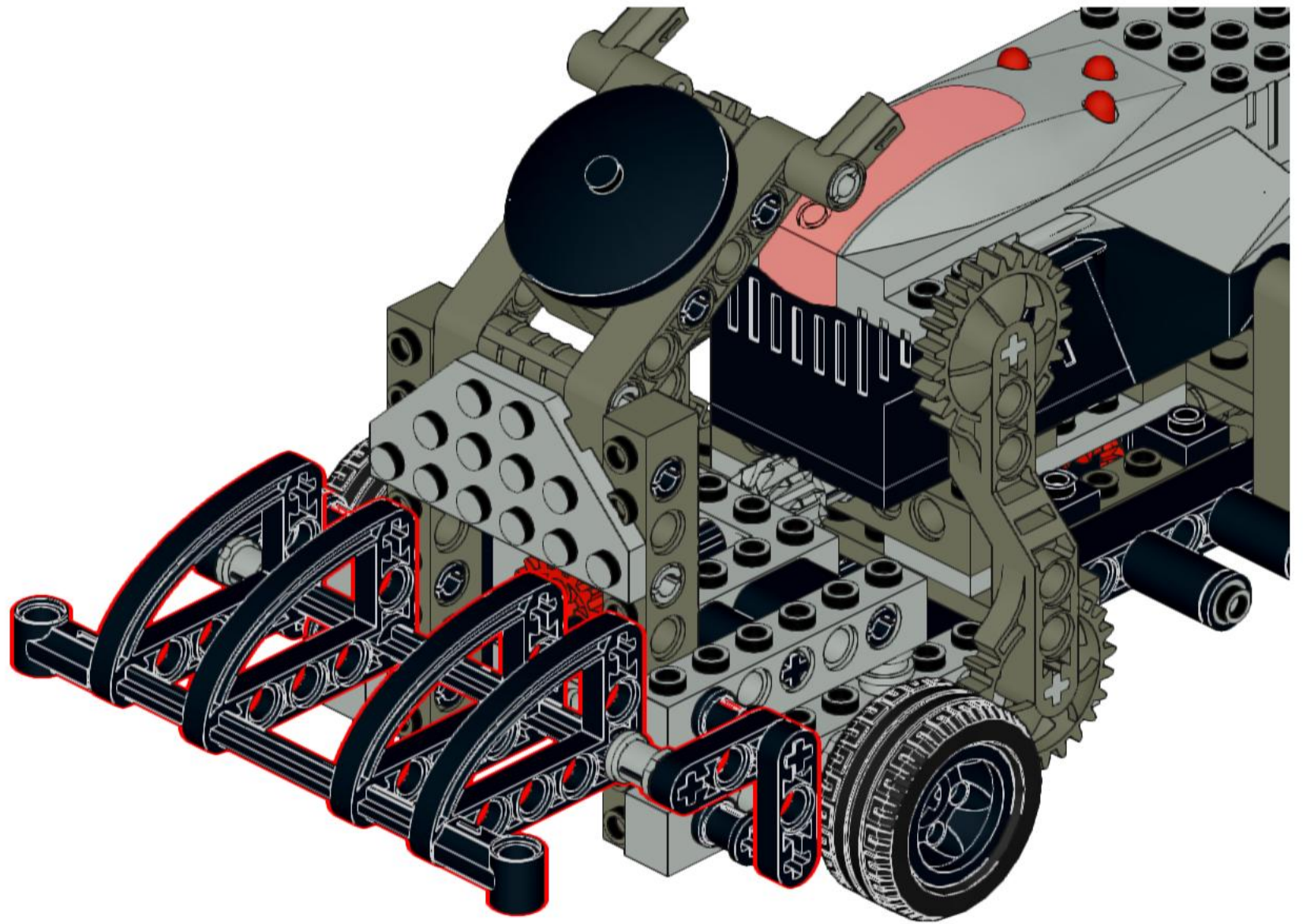


# 63

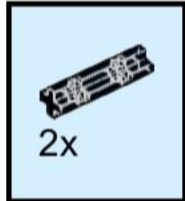
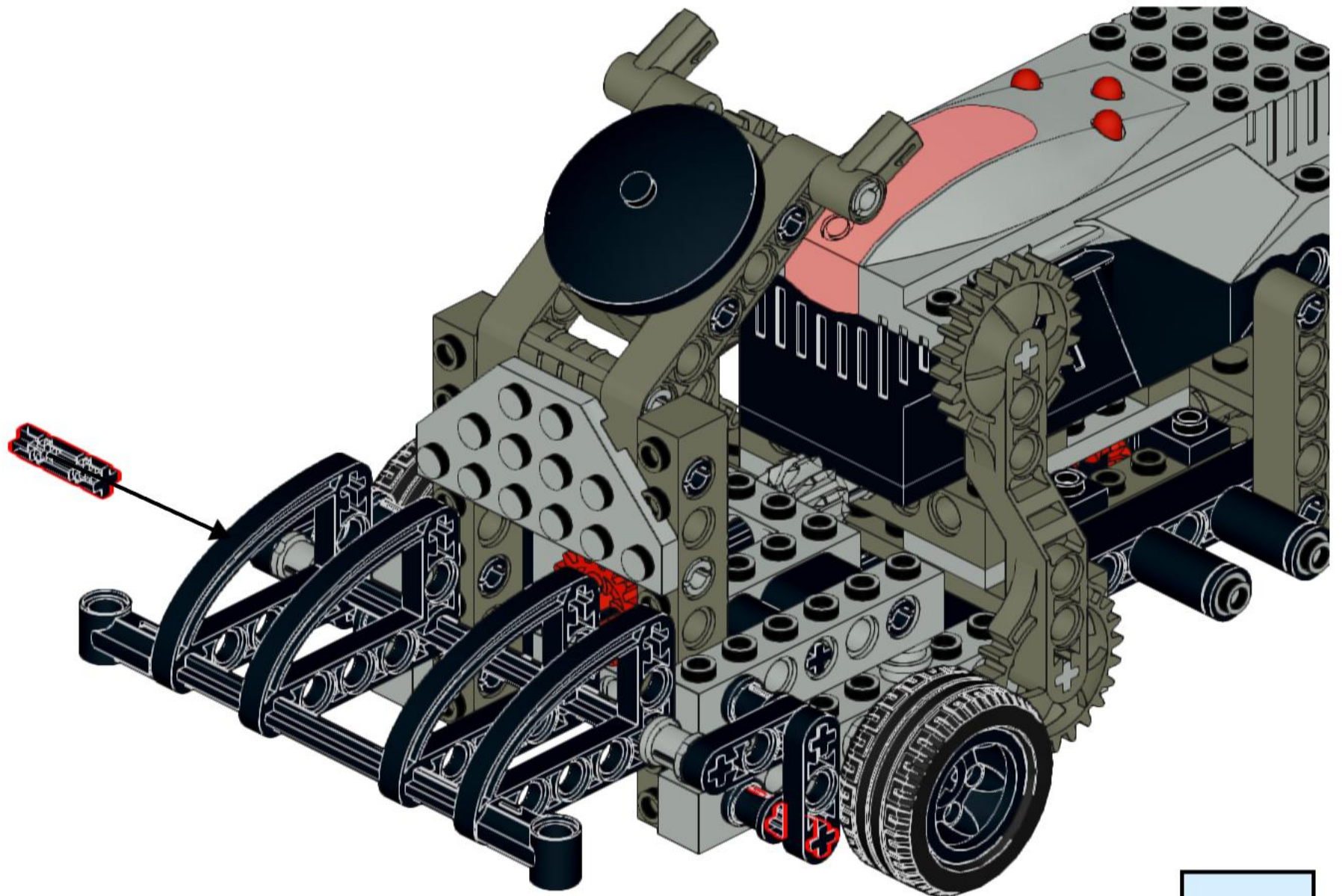




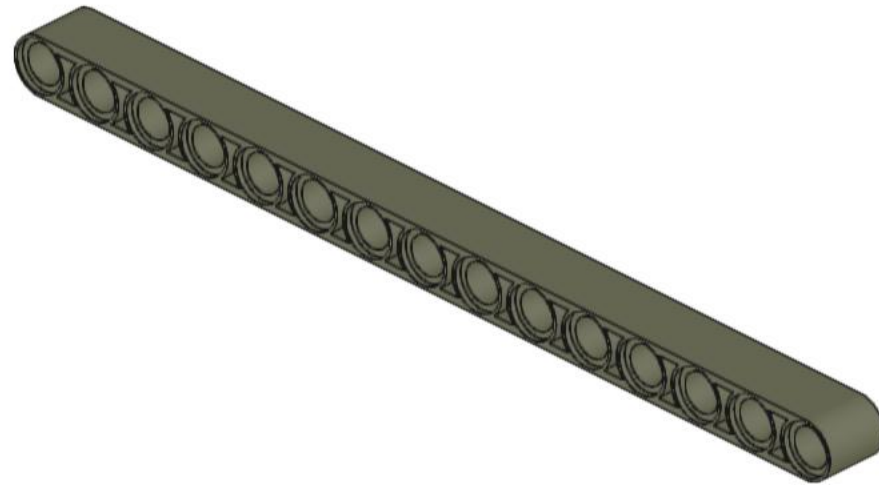
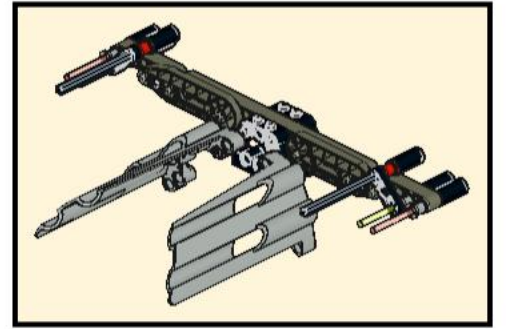
64



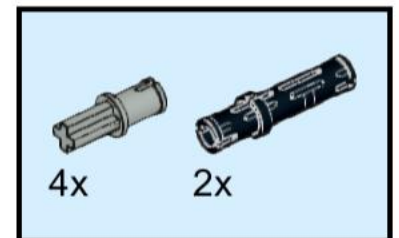
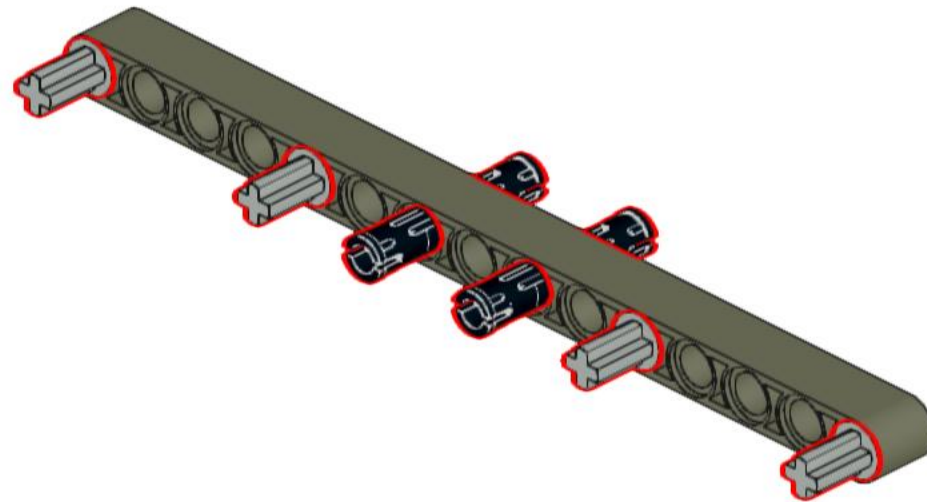
# 65



66

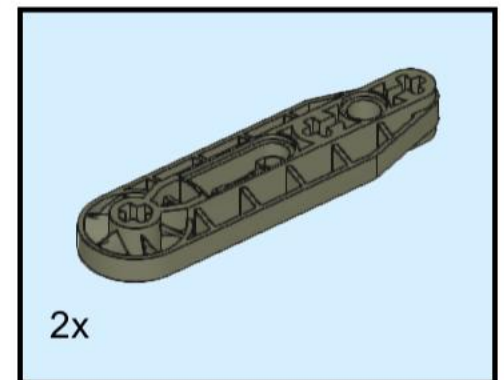
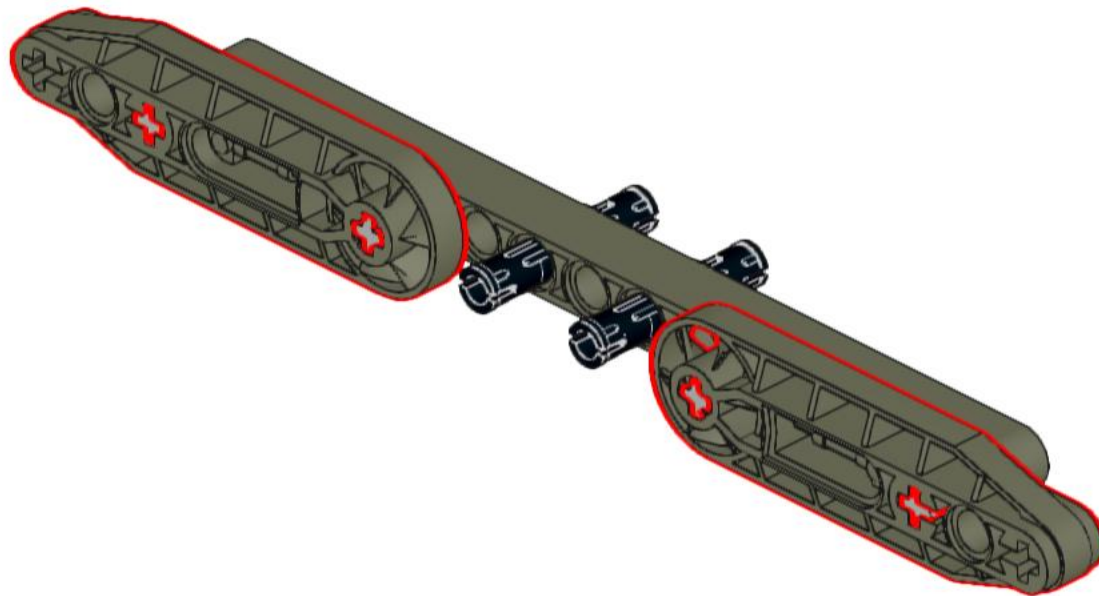


# 67



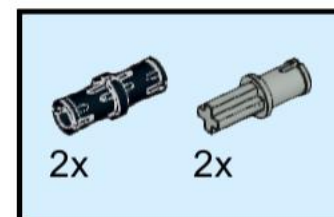
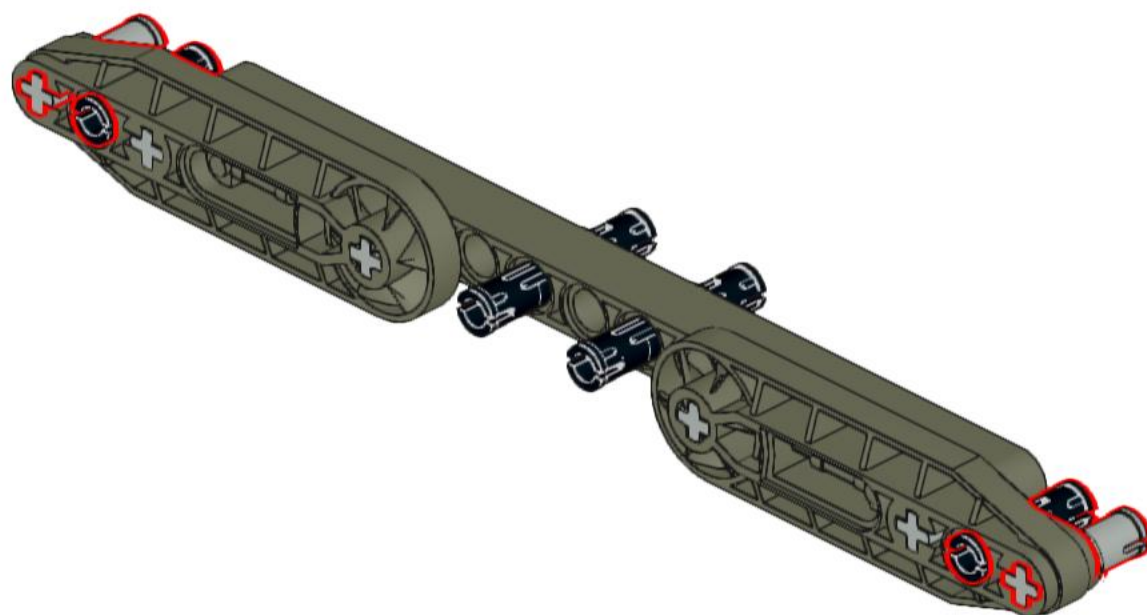


# 68

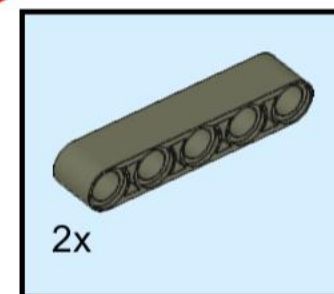
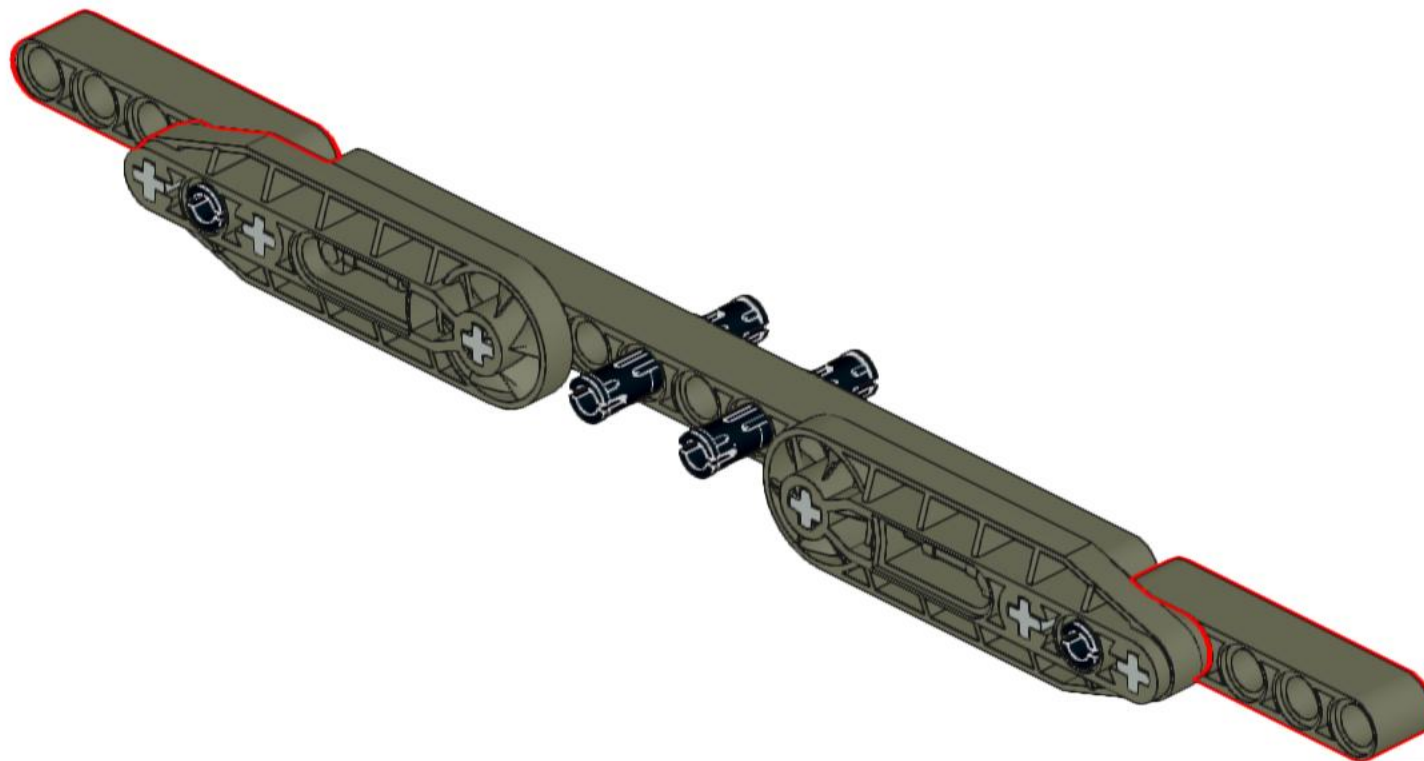




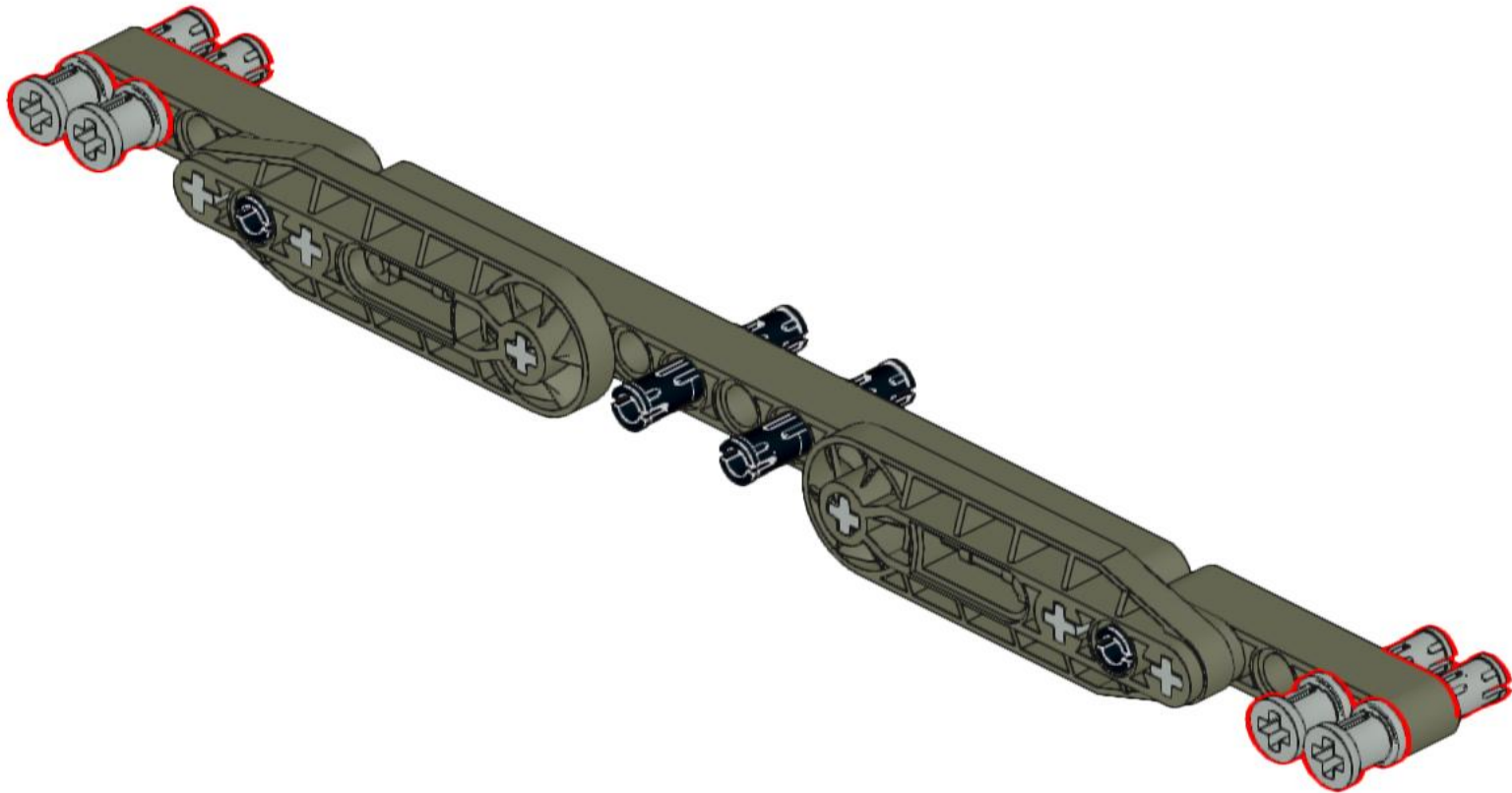
# 69



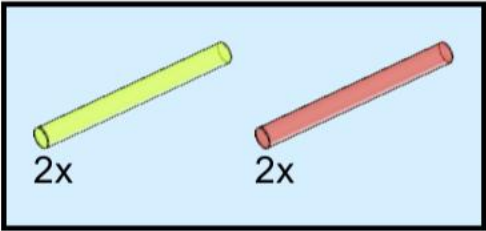
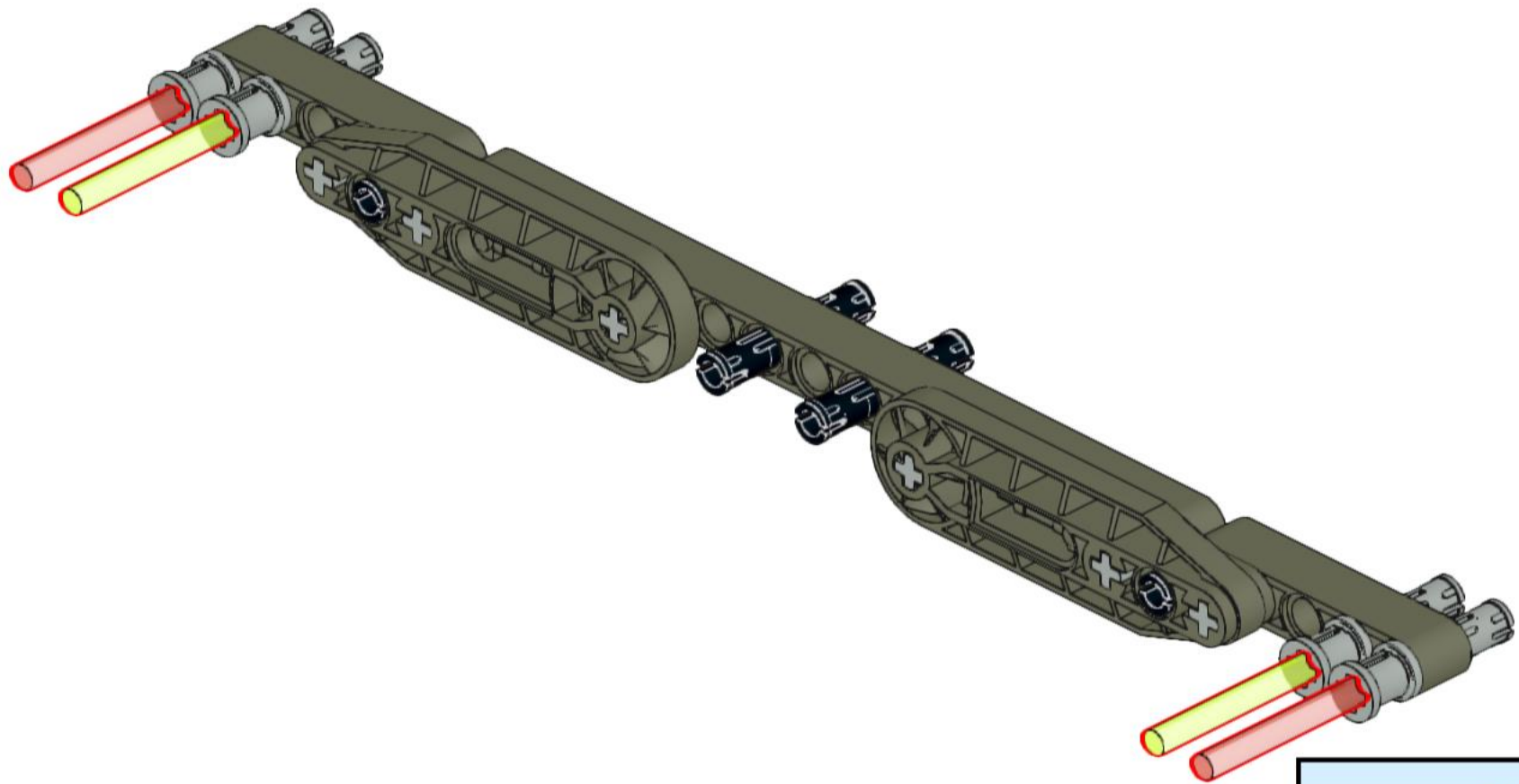
# 70



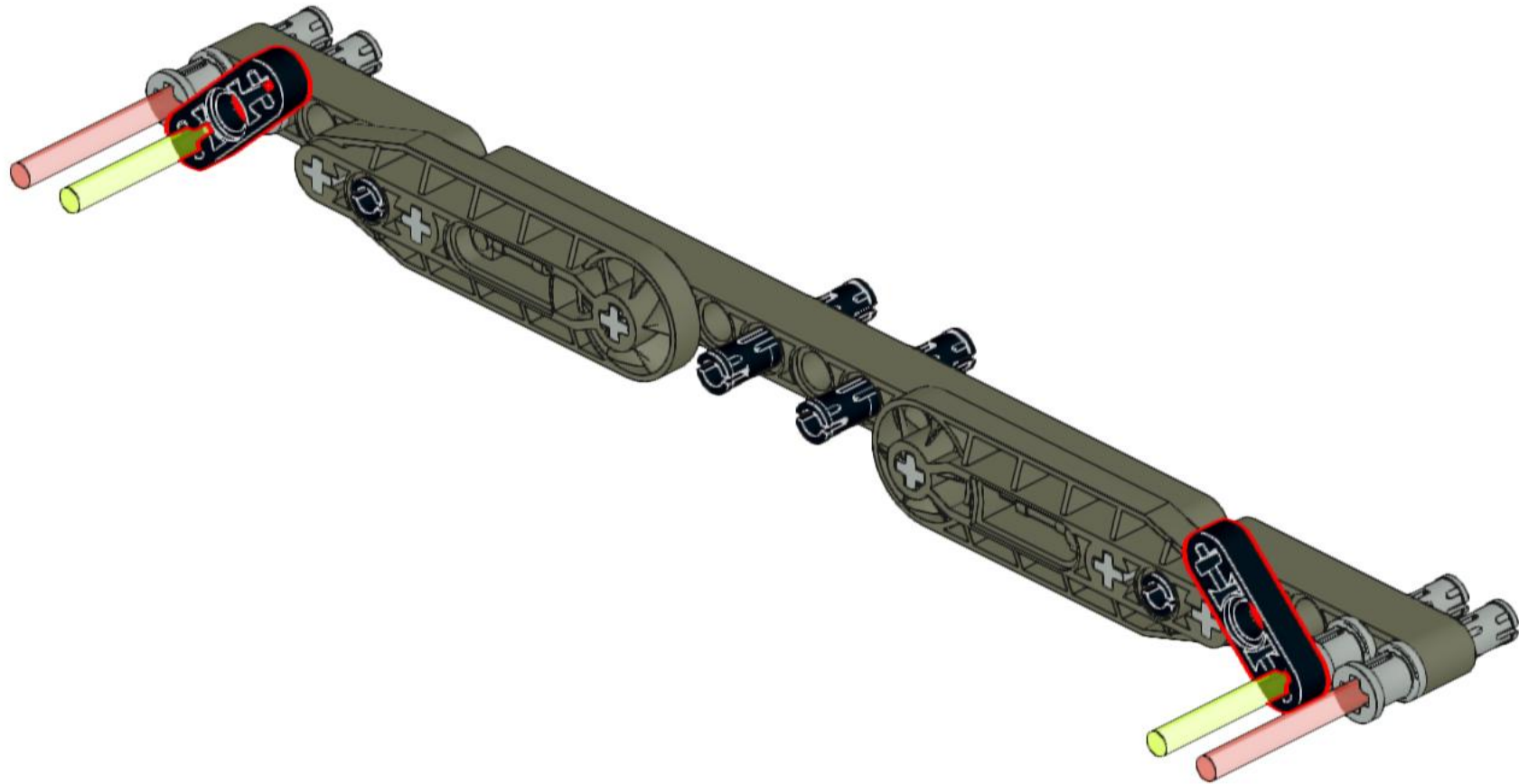
# 71



# 72

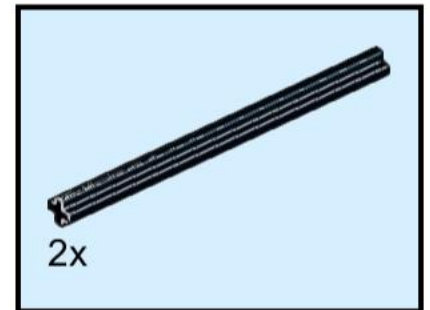
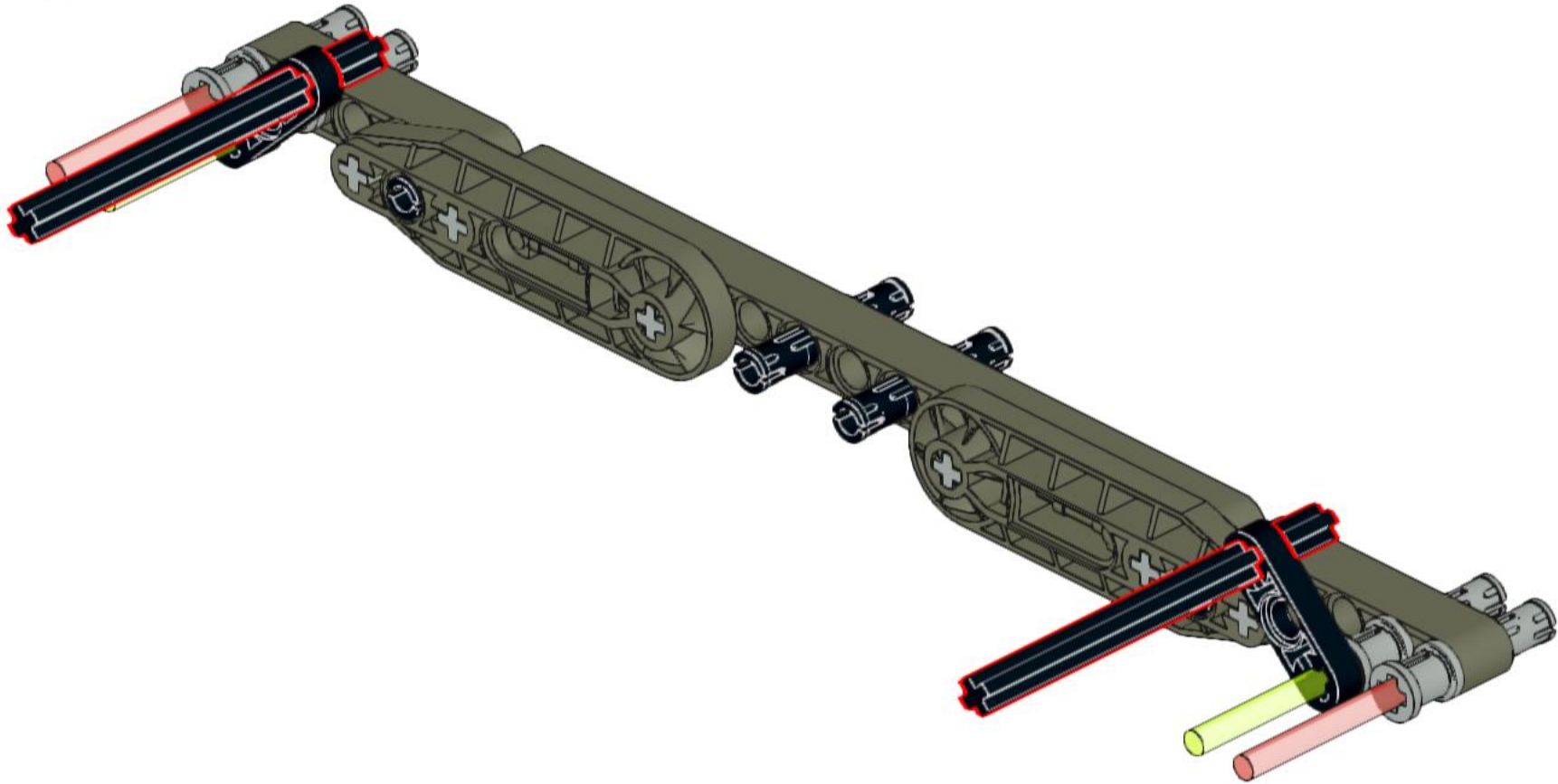


# 73

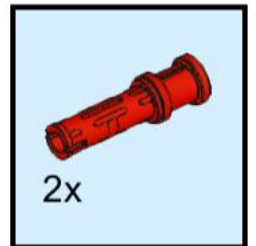
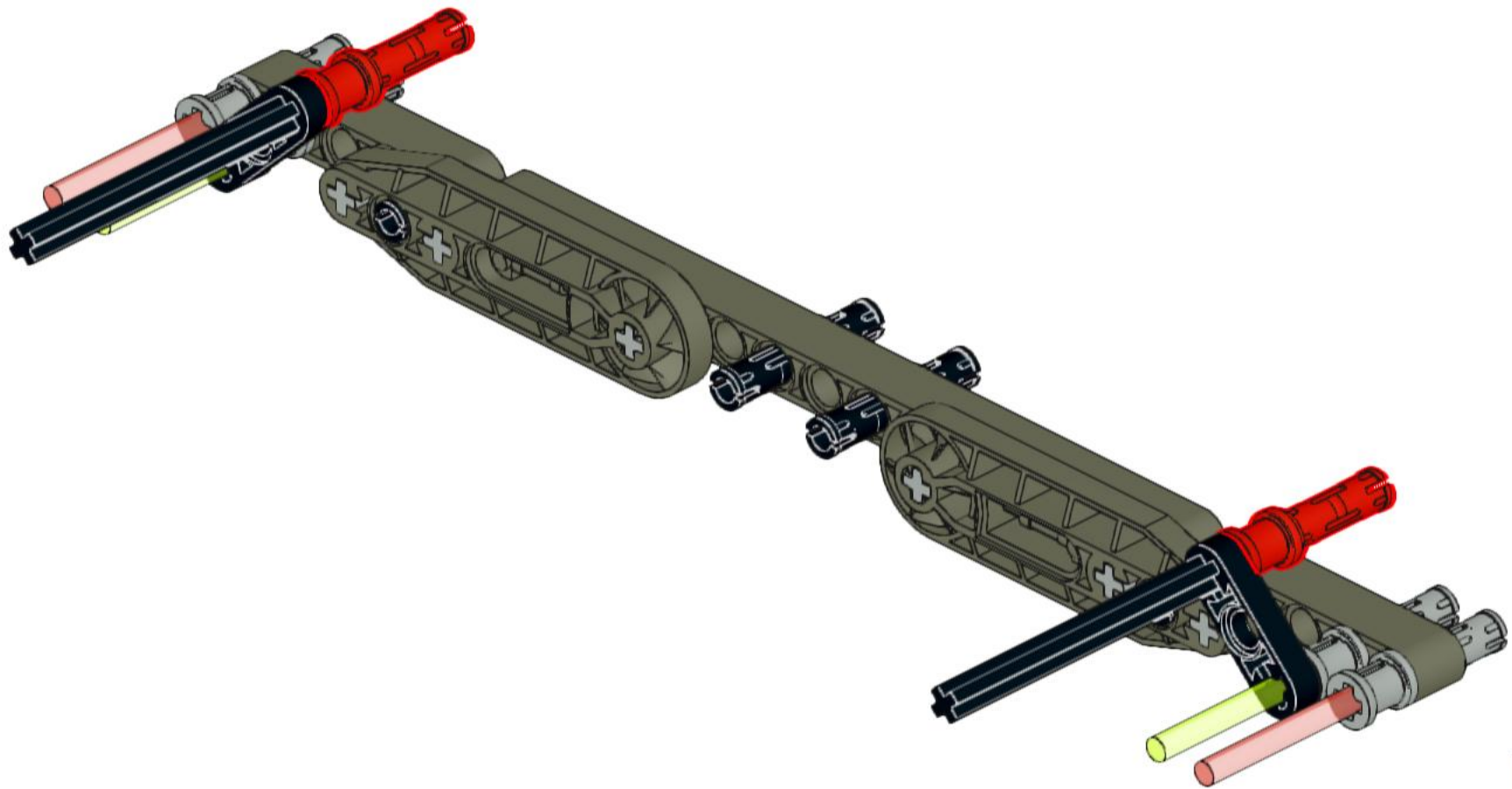




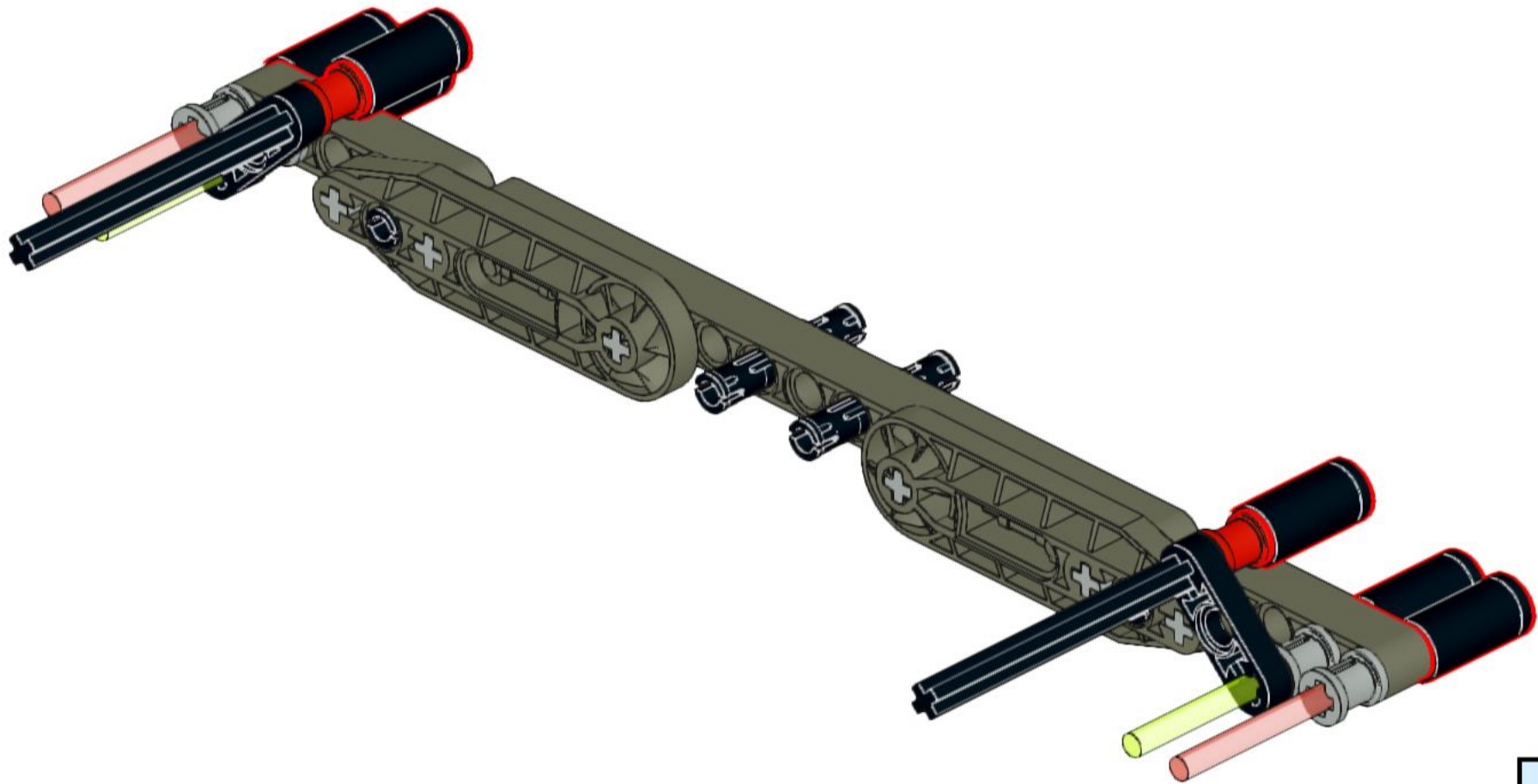
# 74



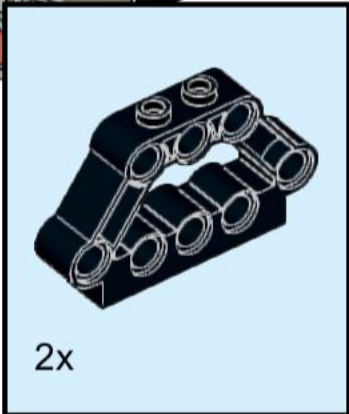
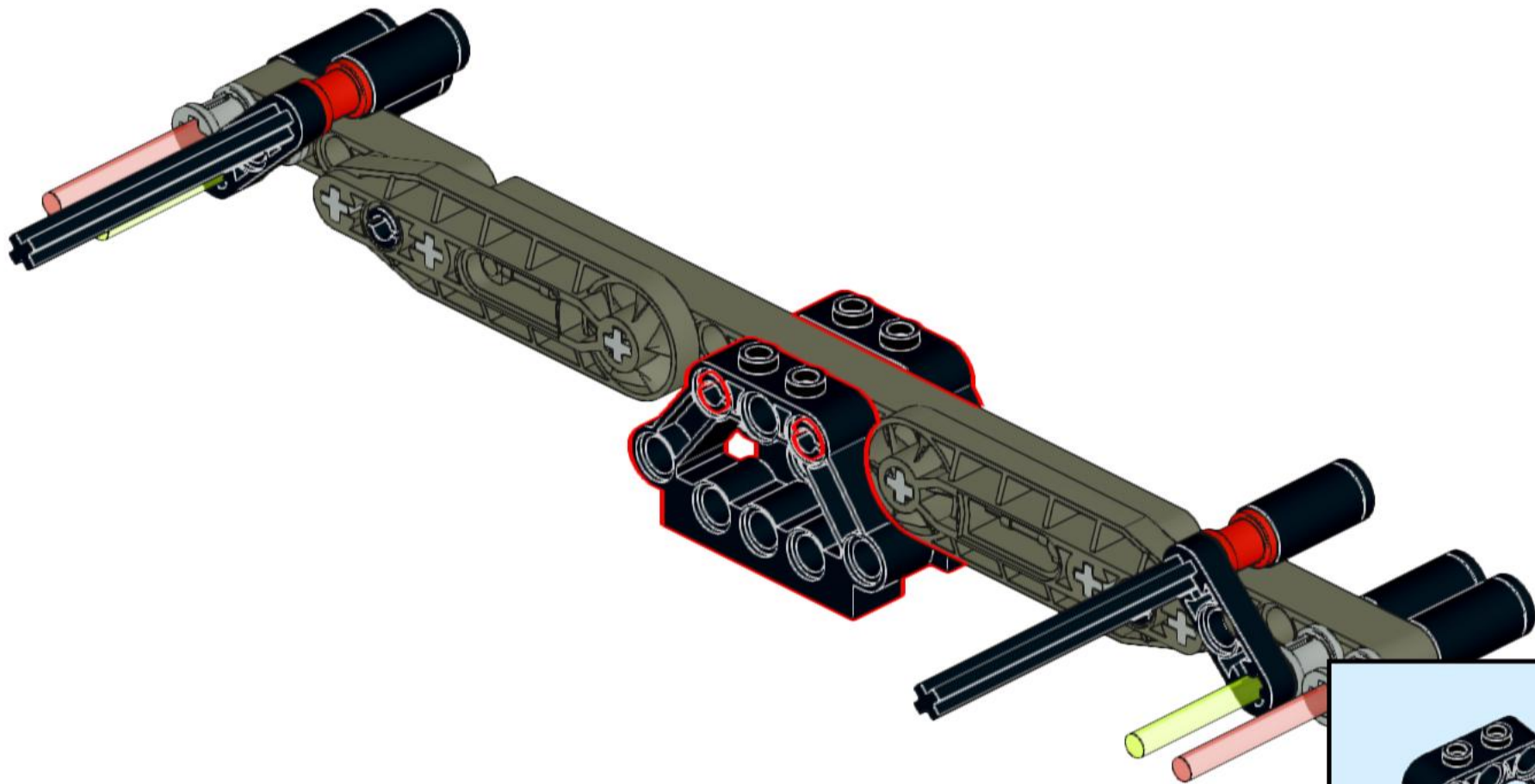
# 75



# 76



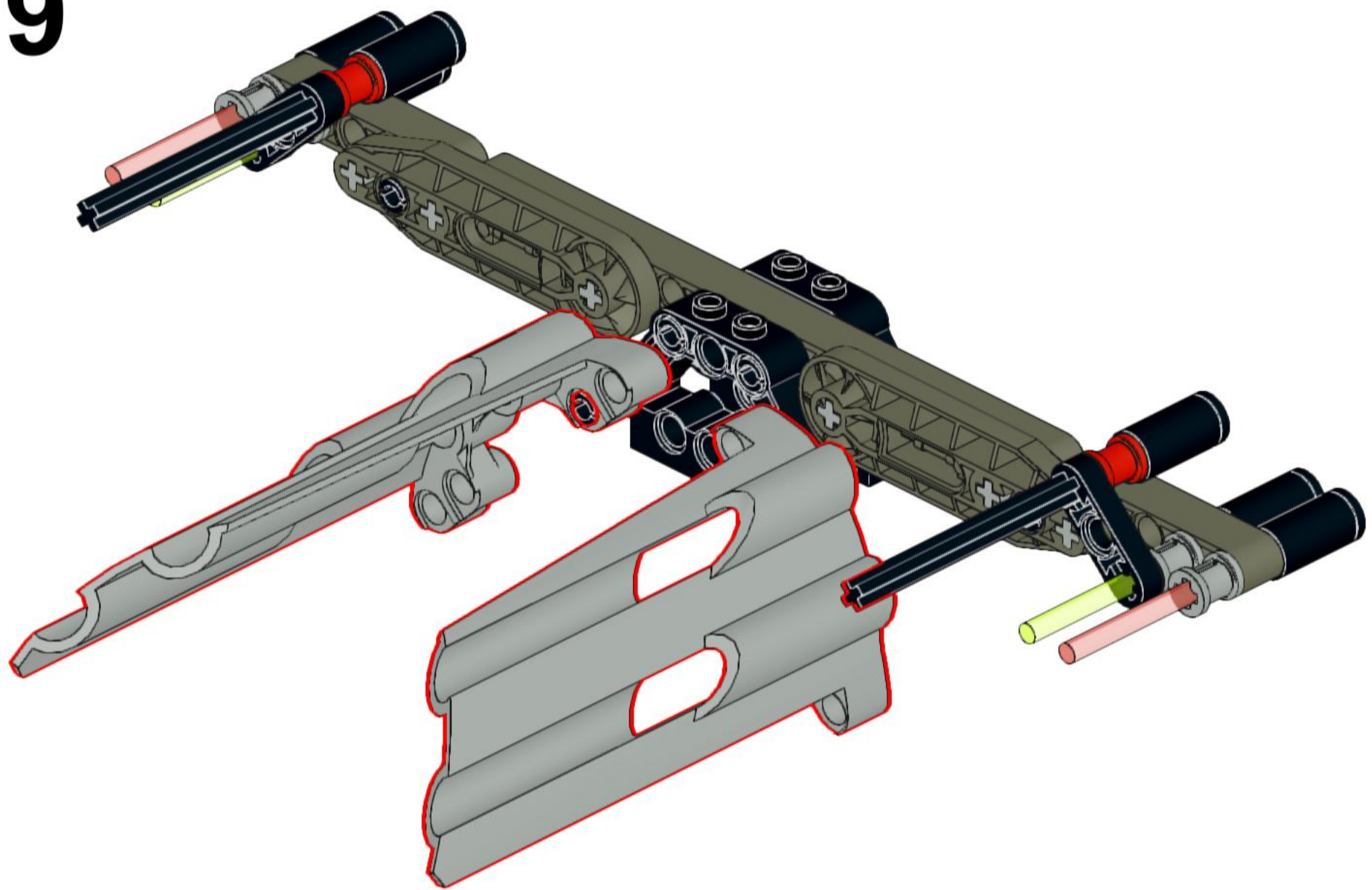
77



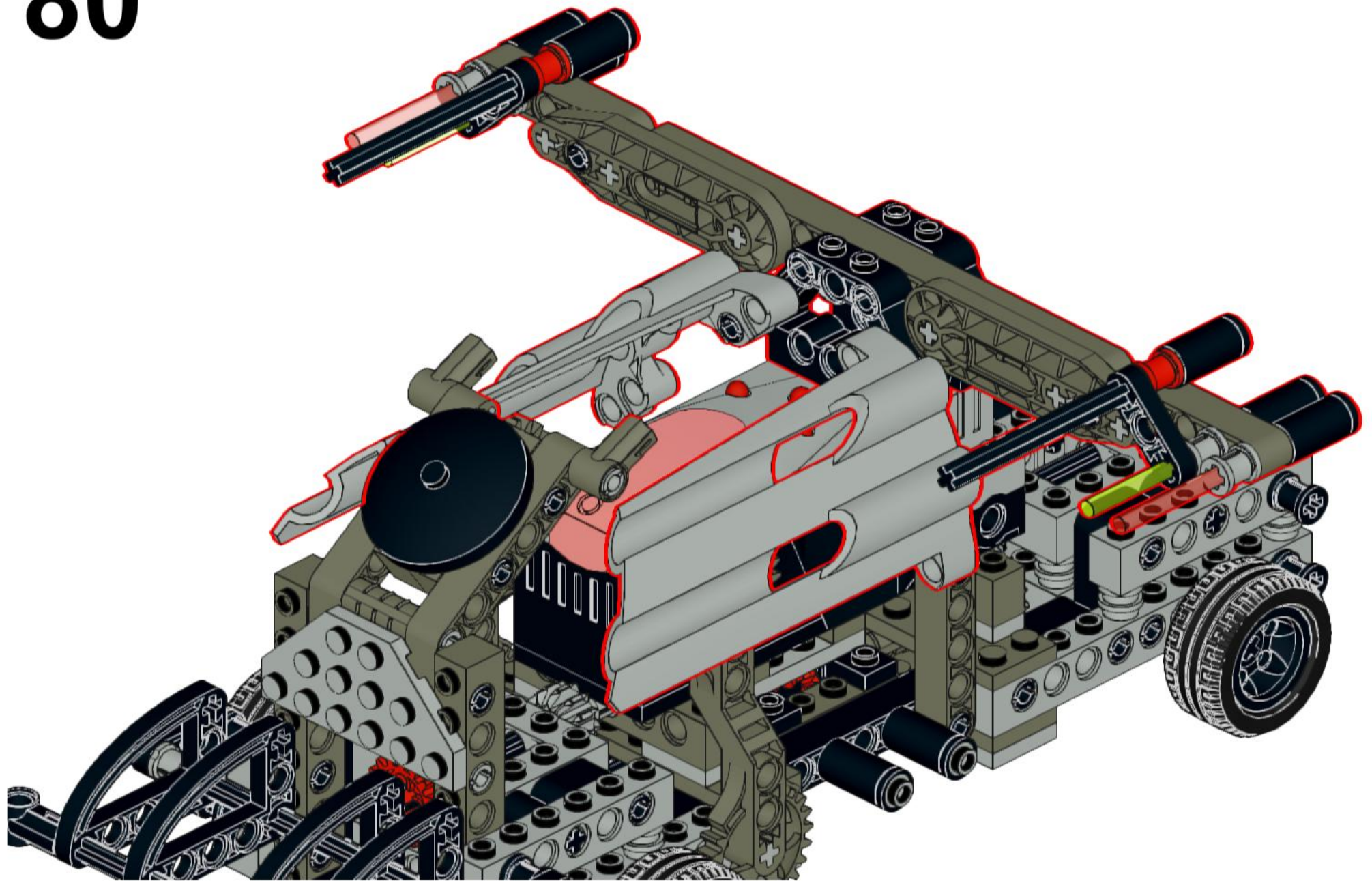




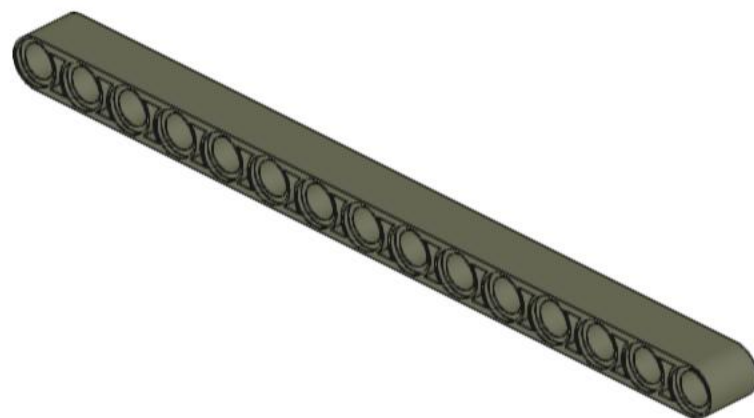
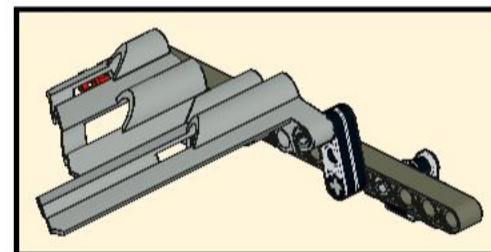
79



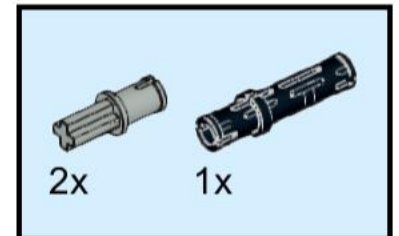
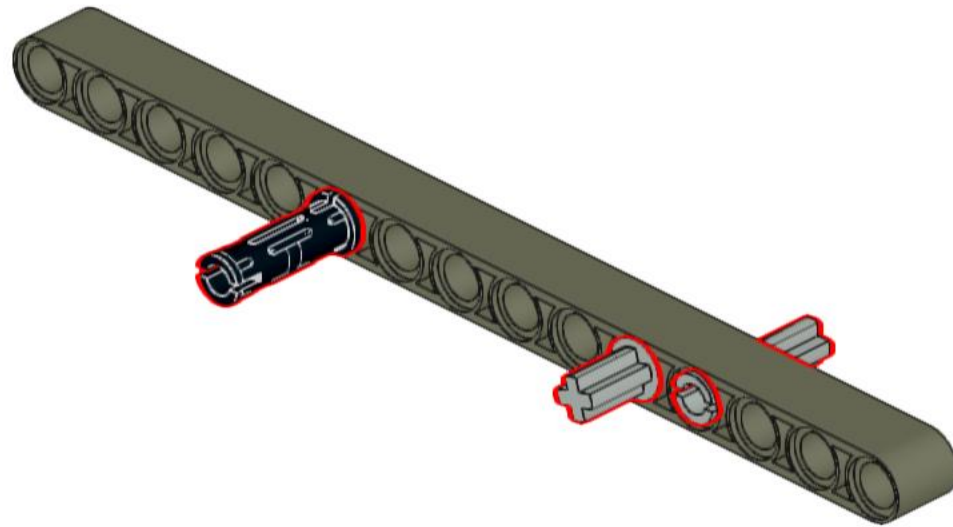
80



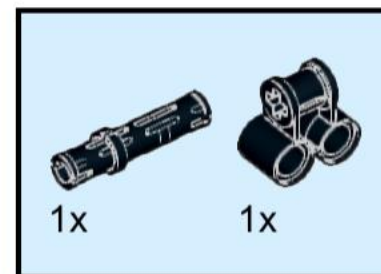
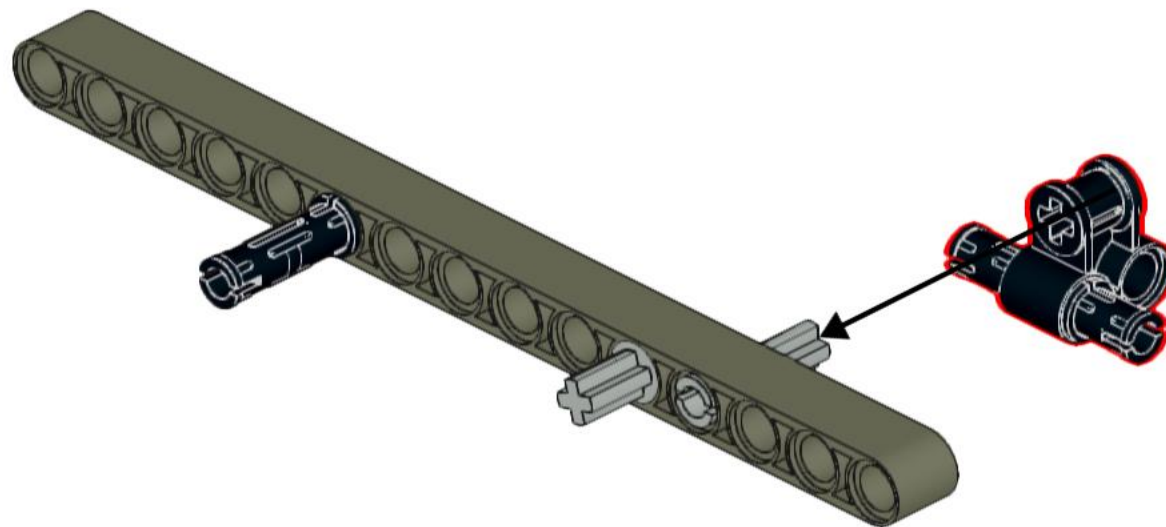
81



# 82

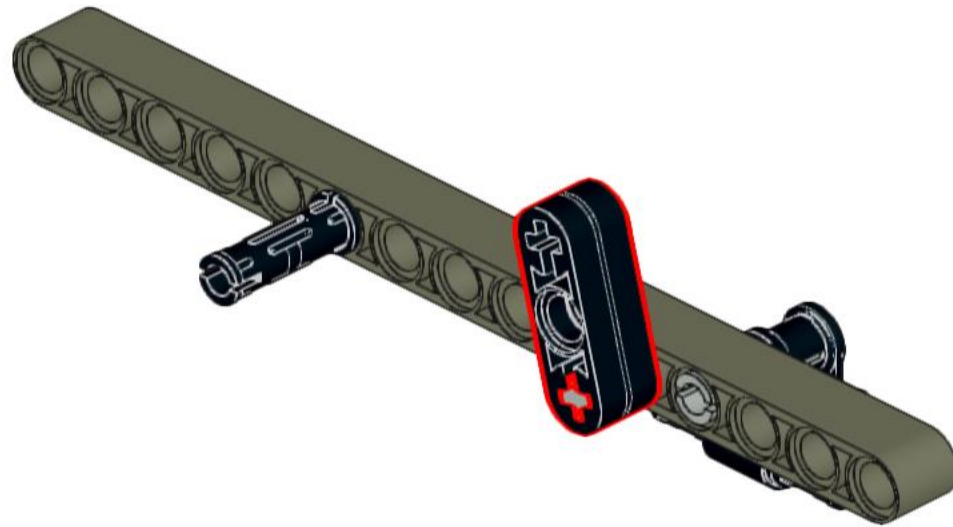


# 83

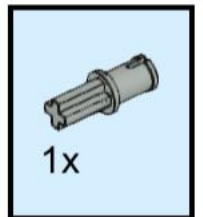
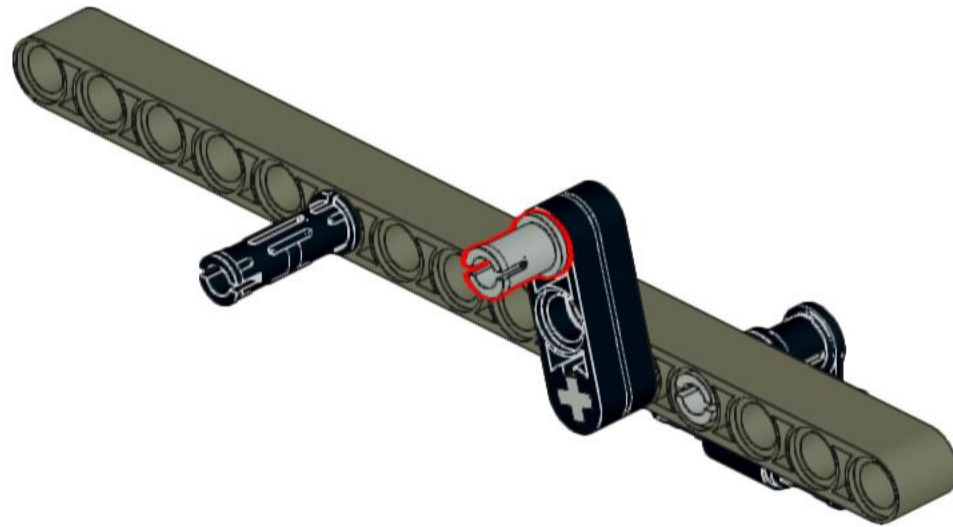




84

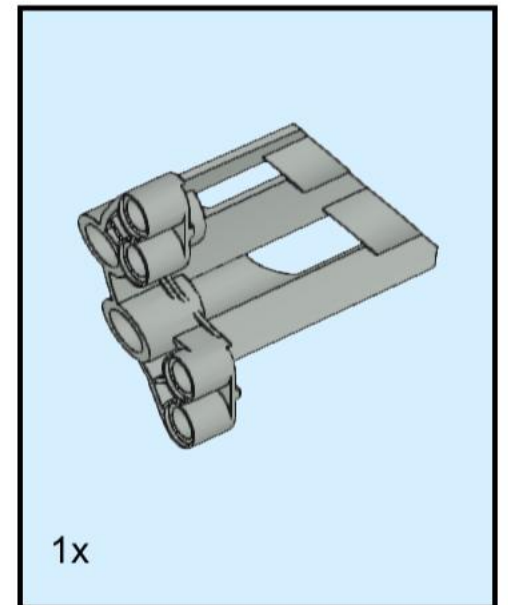
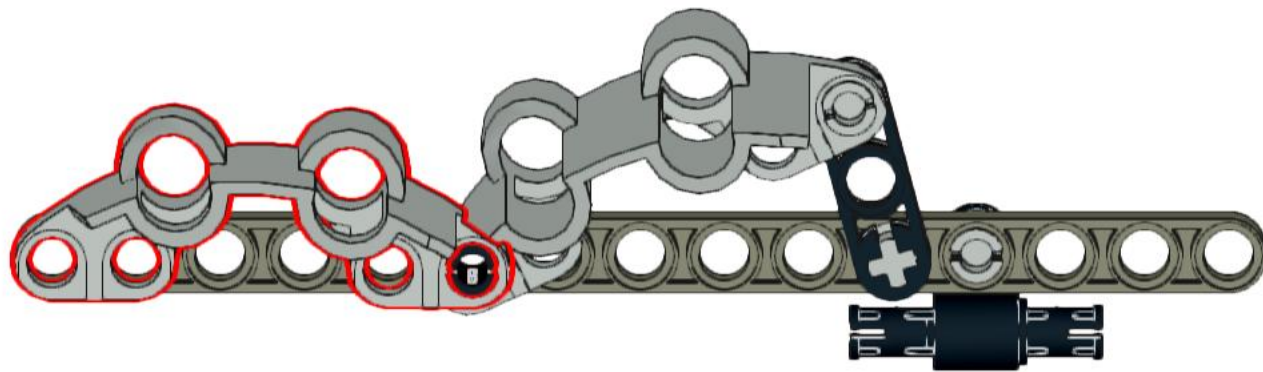


# 85



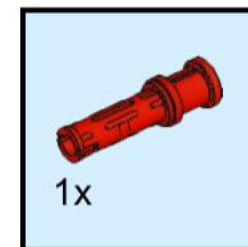
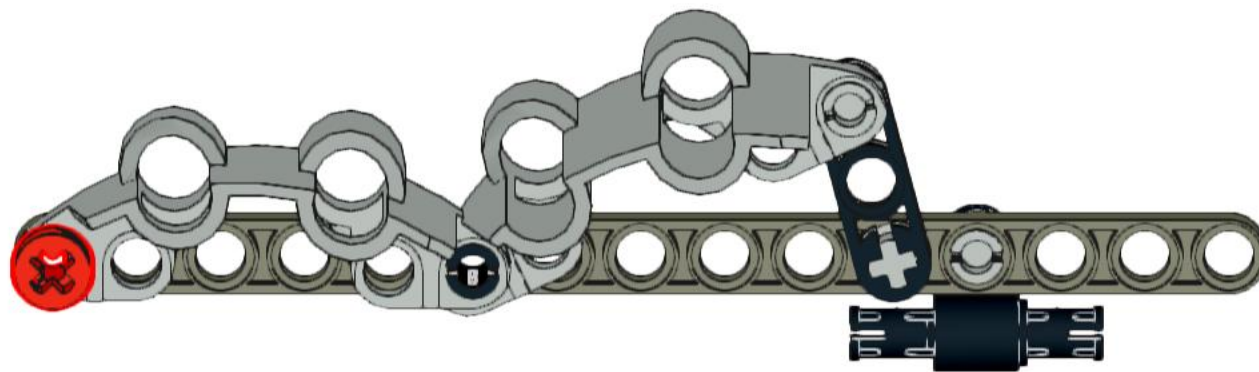


# 87



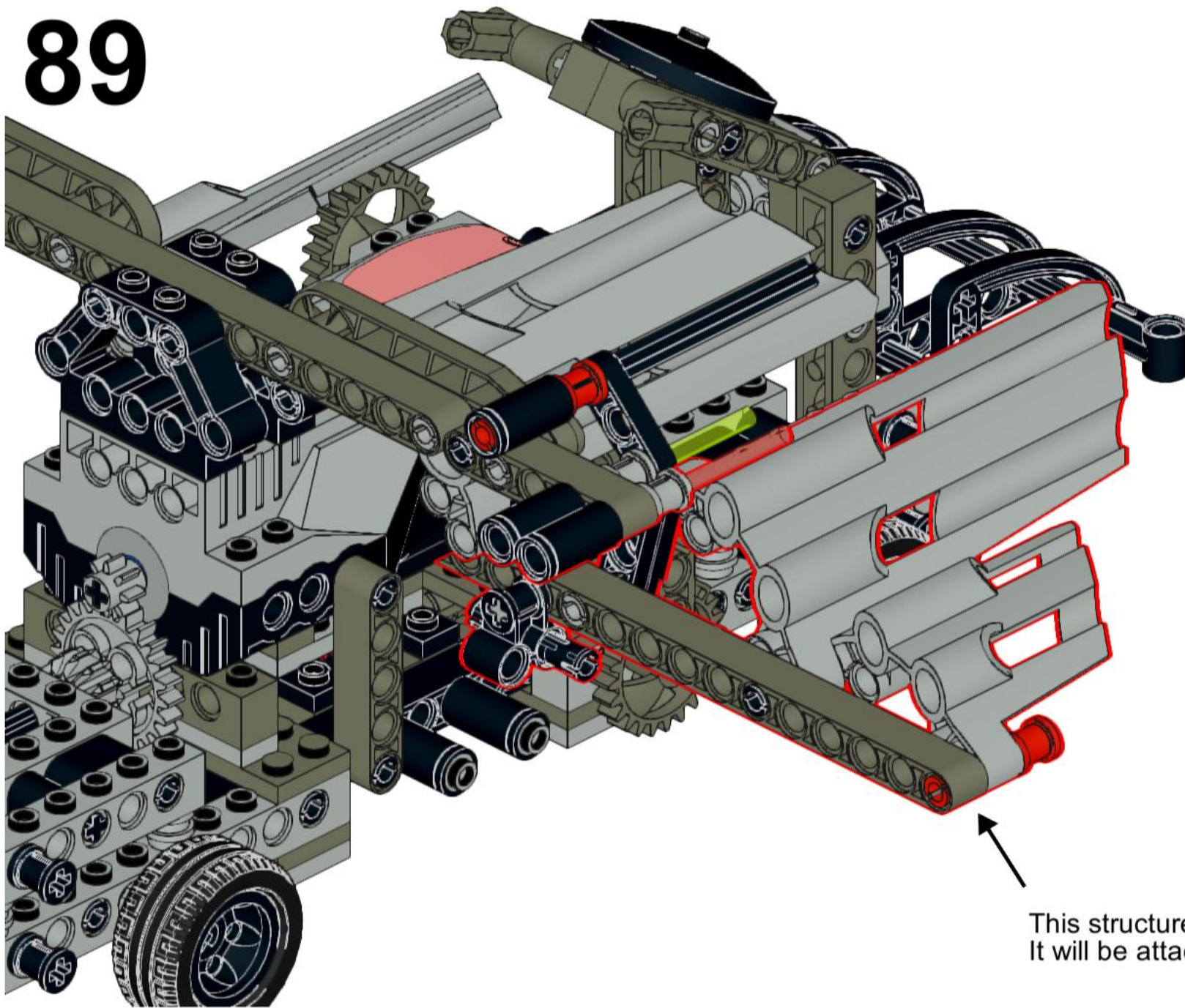
1x

88



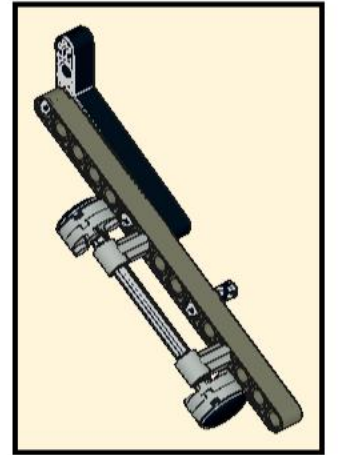
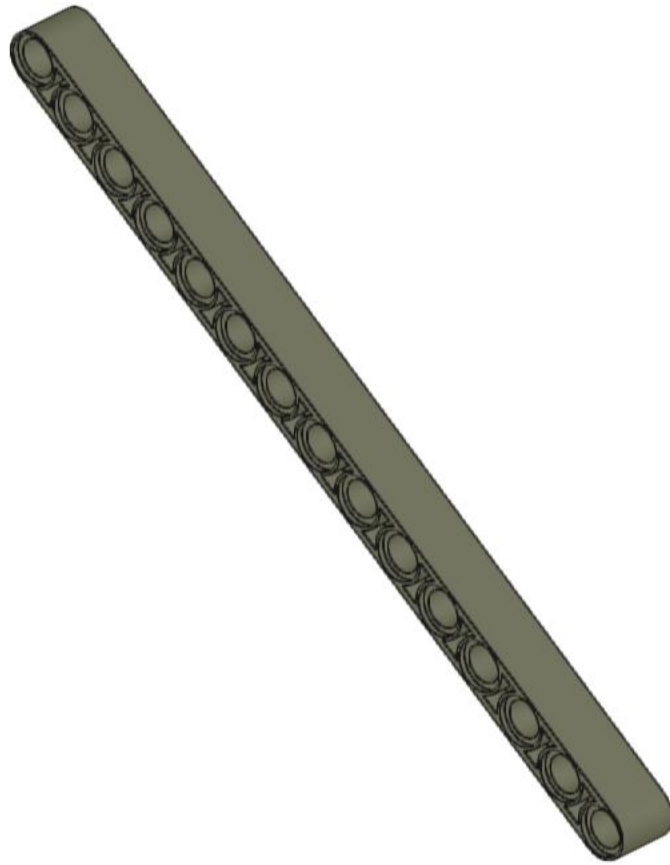


# 89

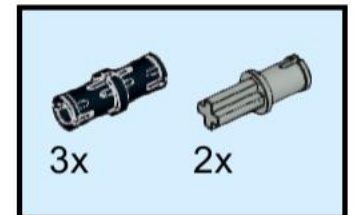
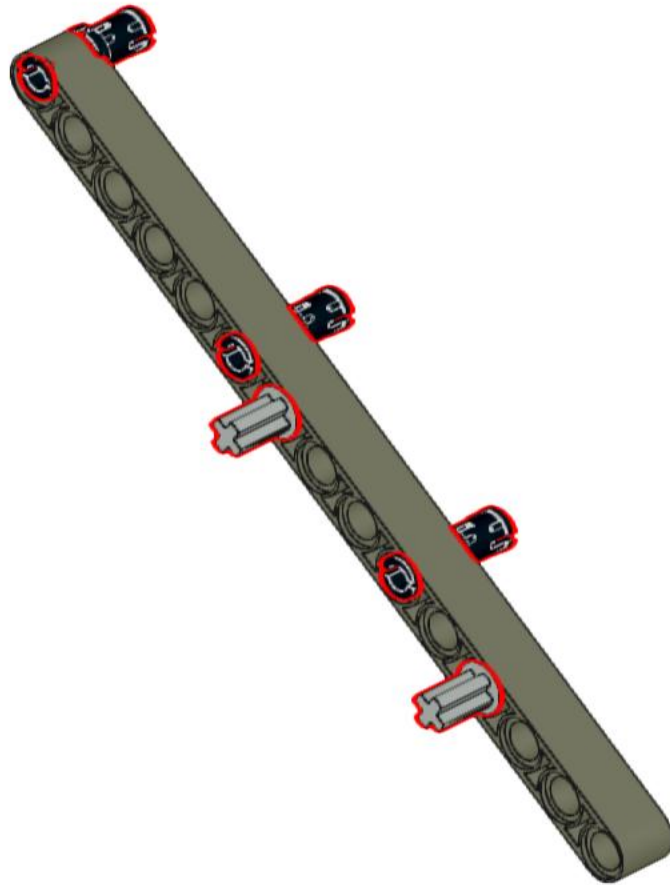


This structure is left floating for now.  
It will be attached in step 95

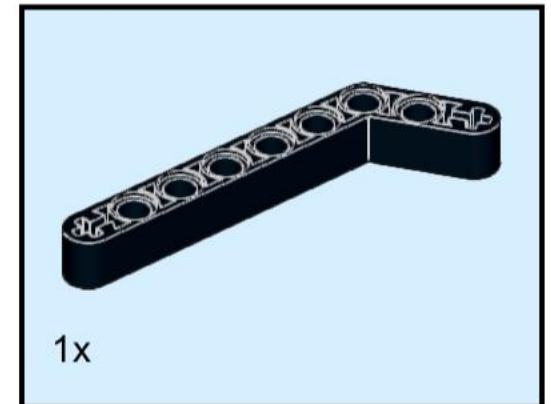
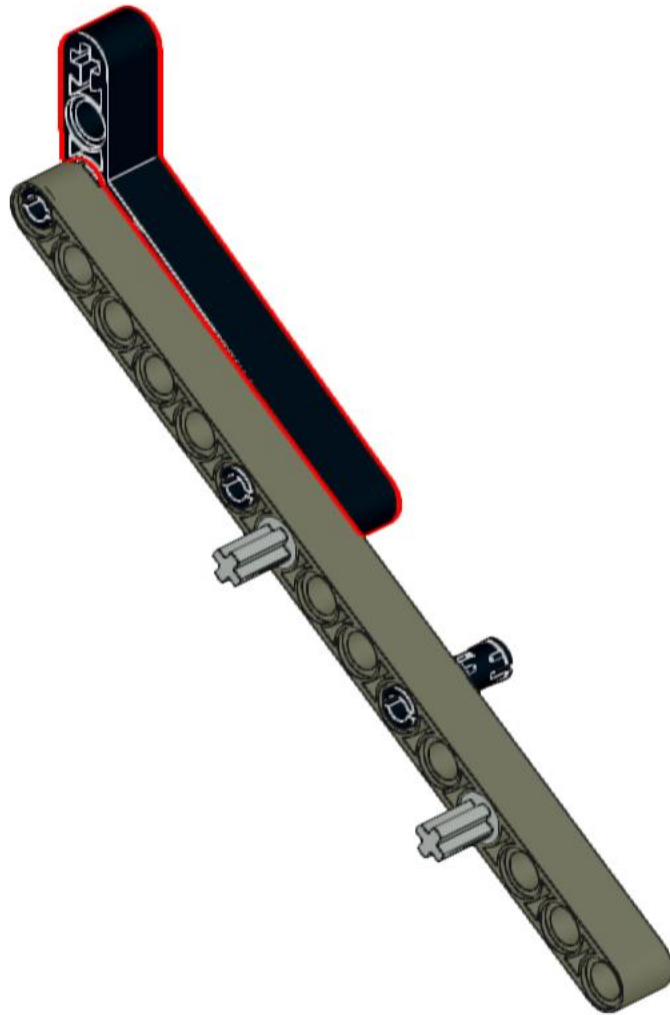
90



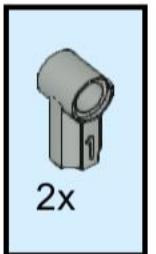
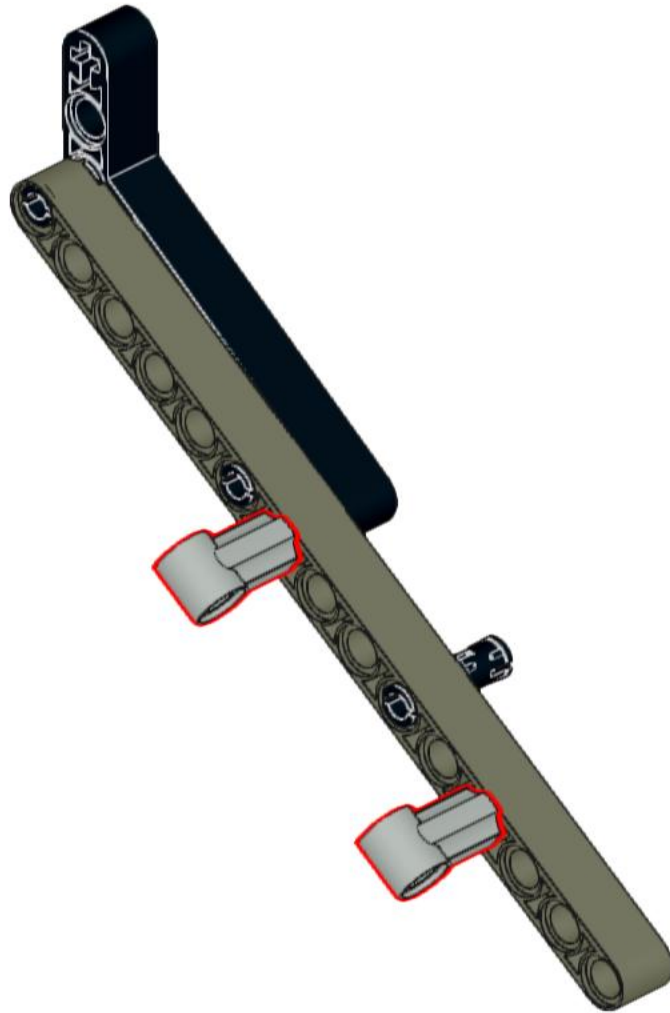
# 91



92

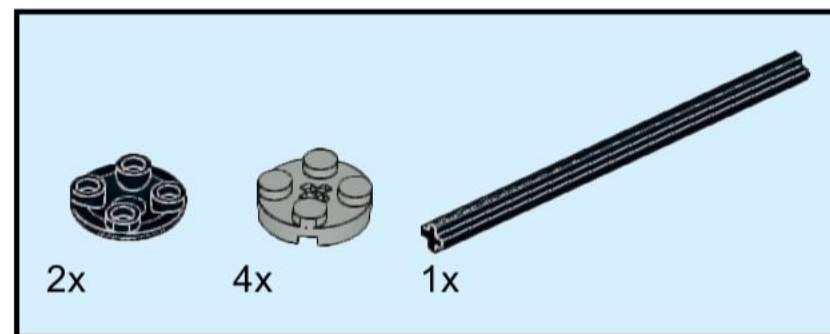
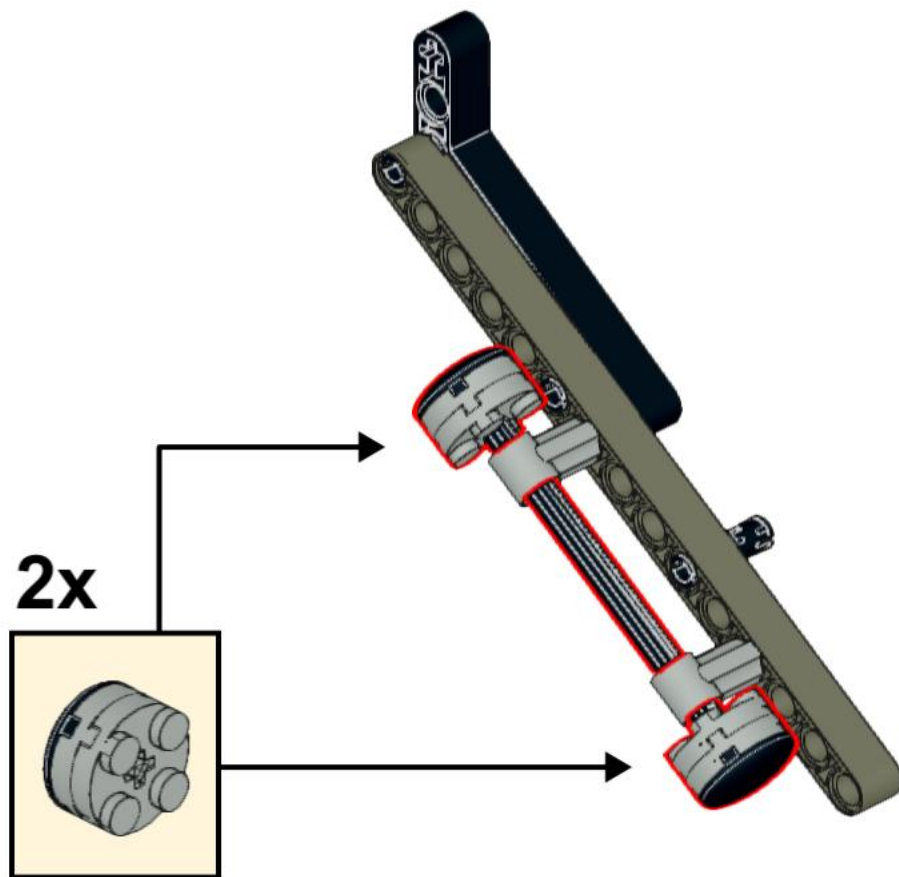


# 93

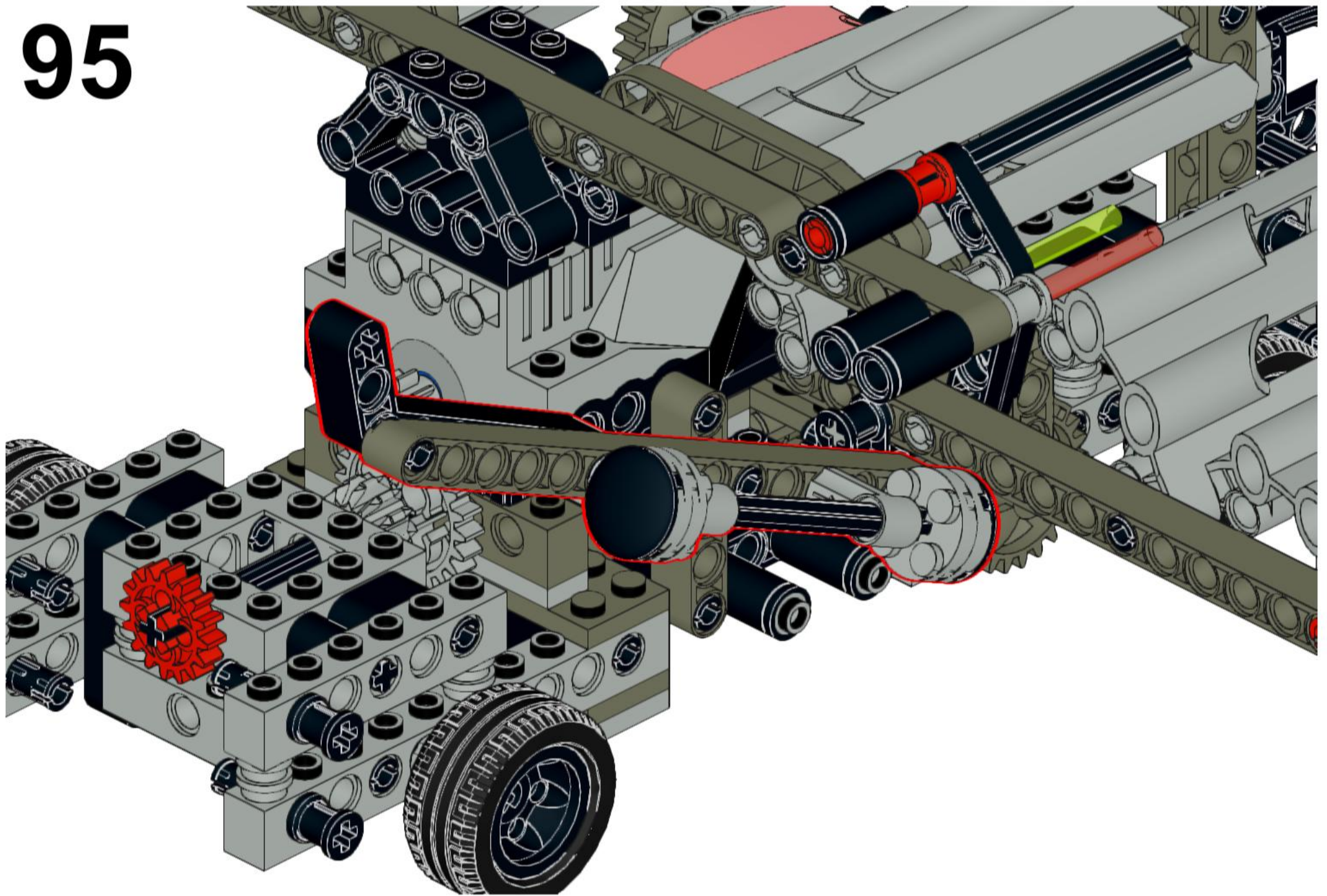




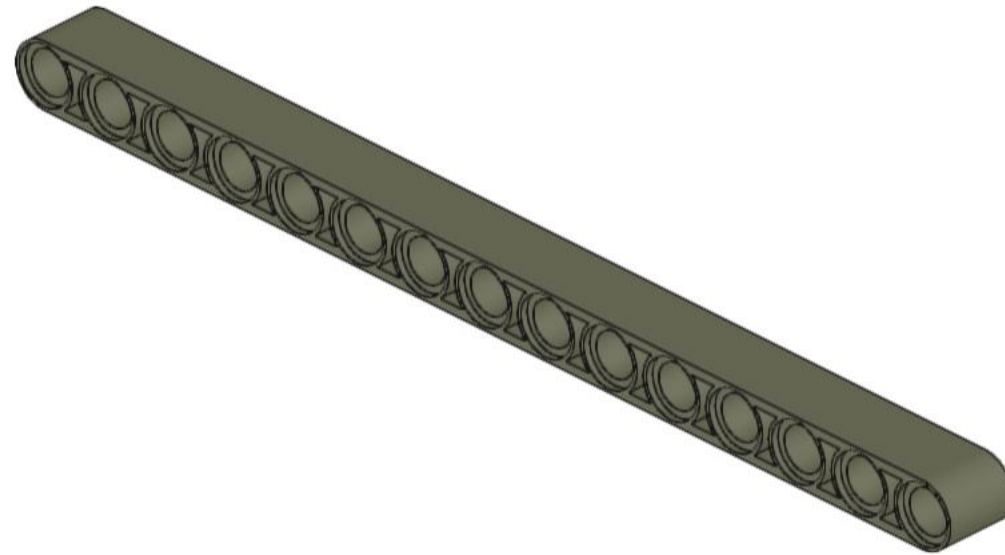
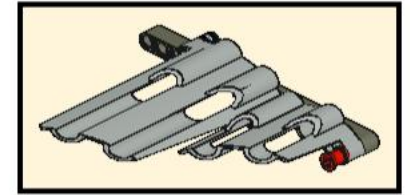
# 94



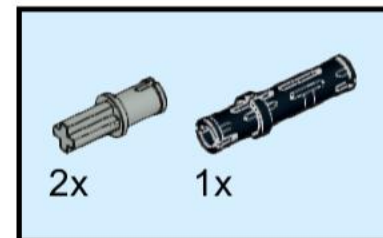
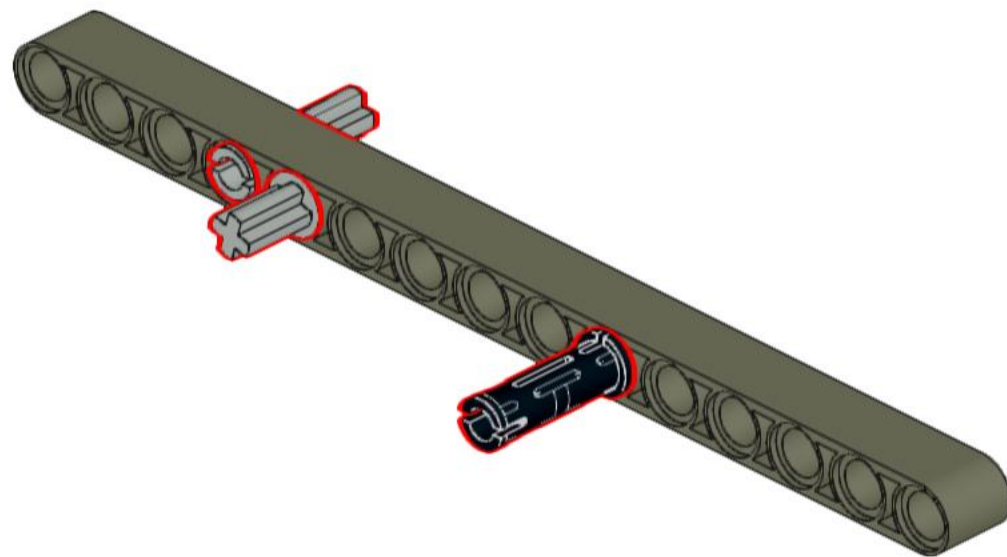
95



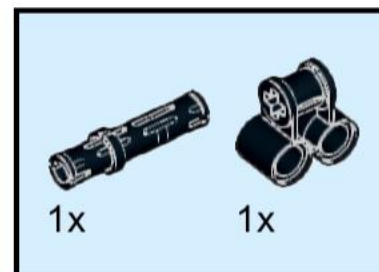
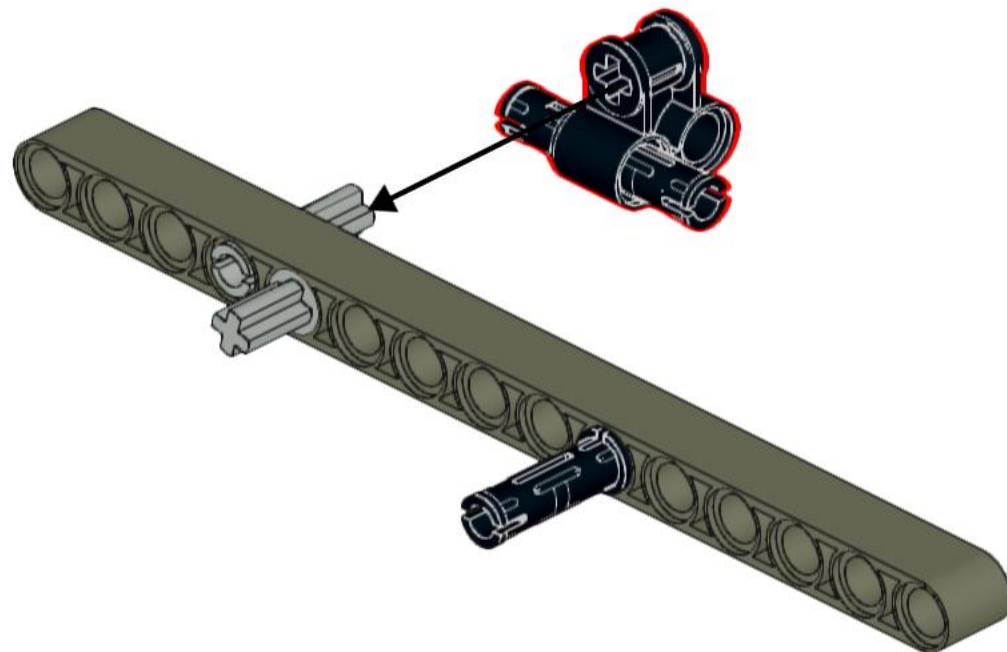
96



# 97

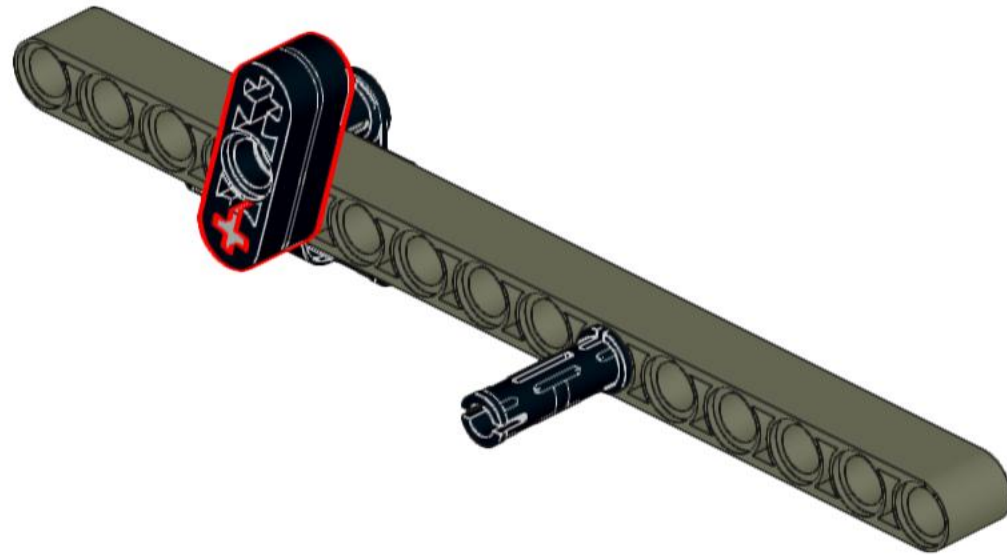


# 98

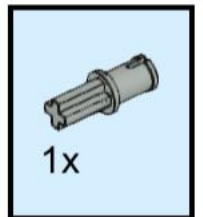
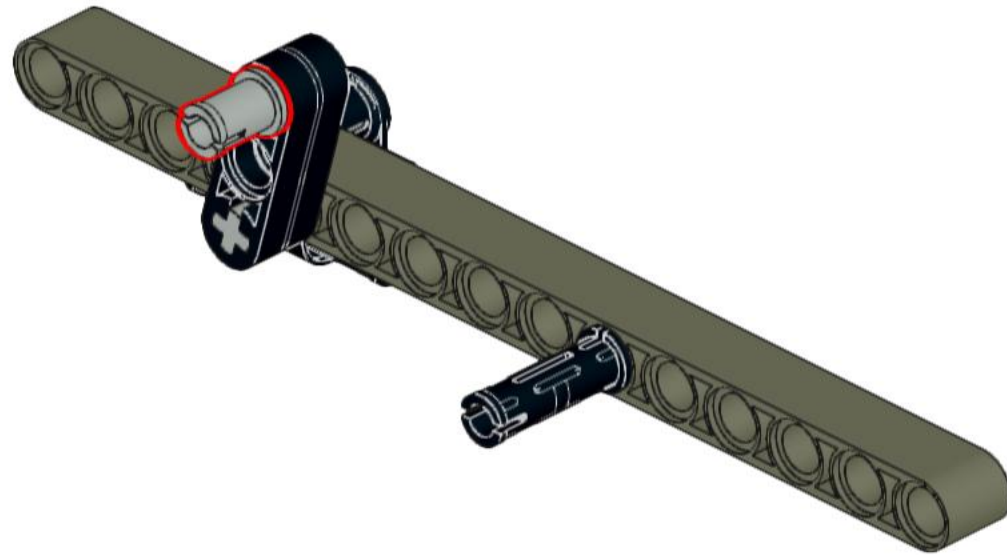




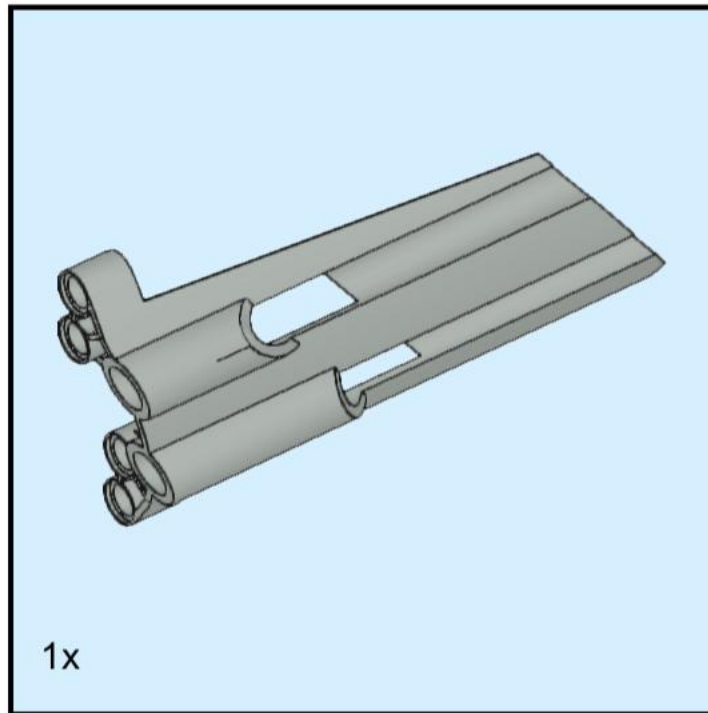
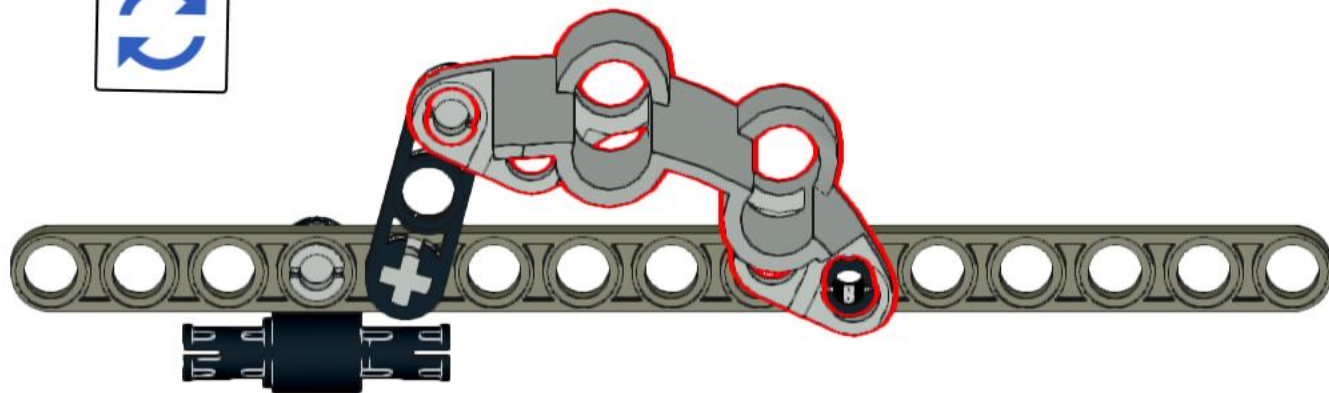
99



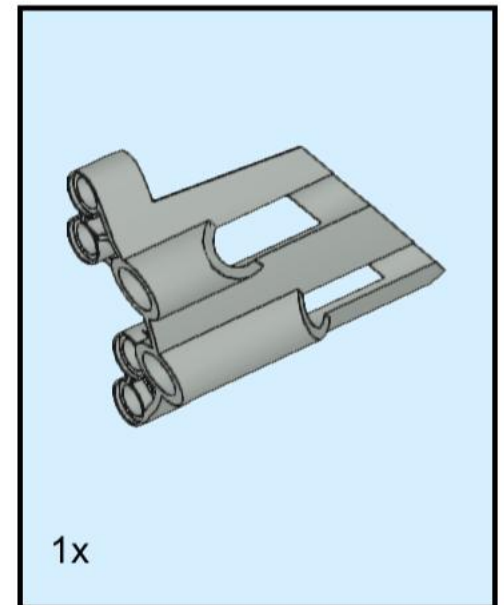
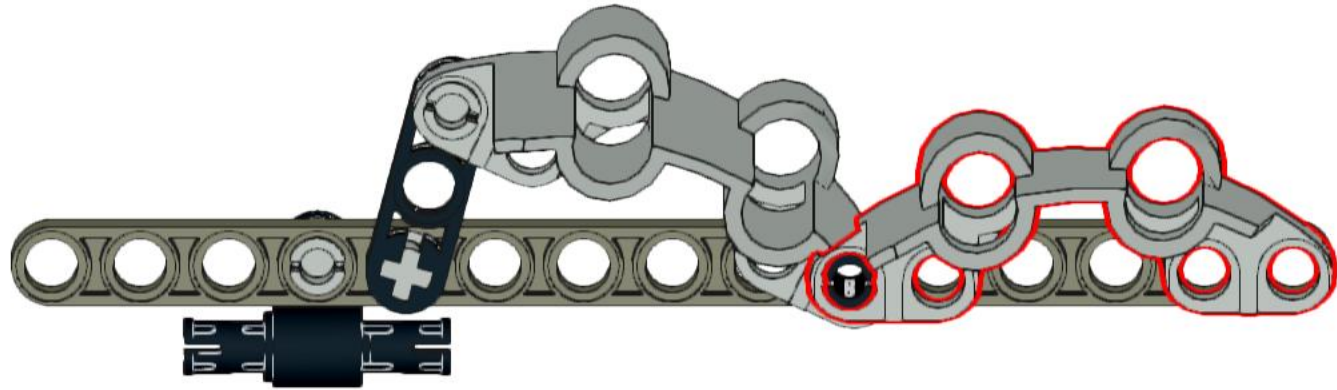
# 100



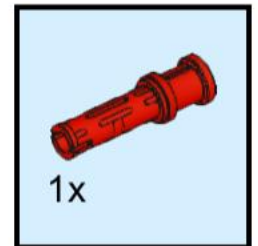
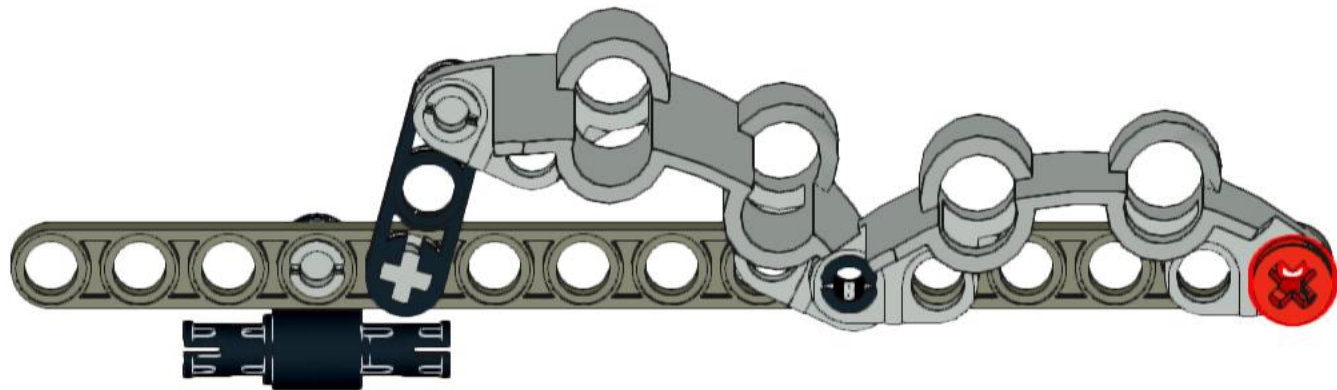
# 101



# 102

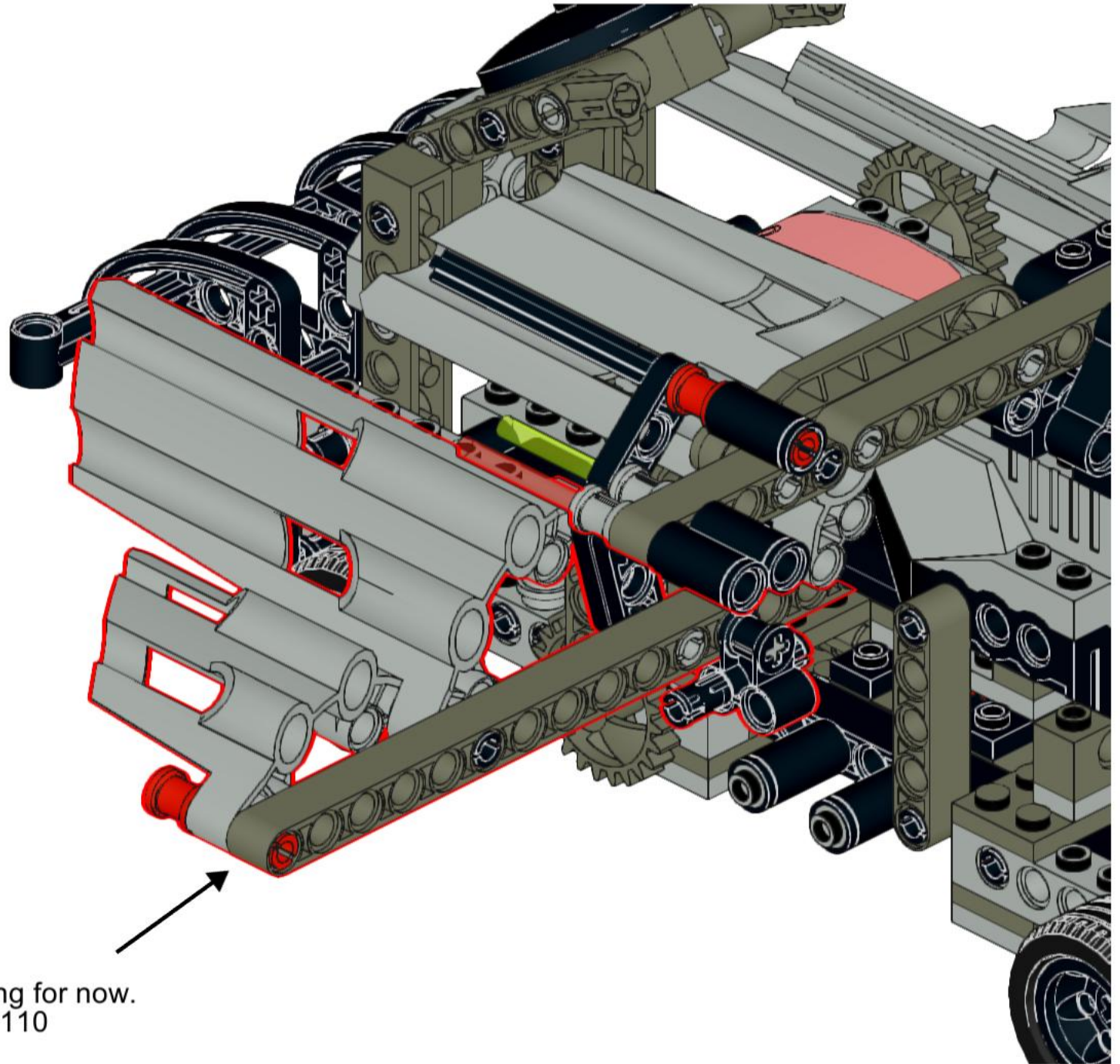


# 103



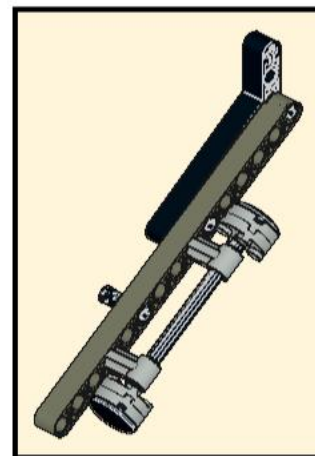
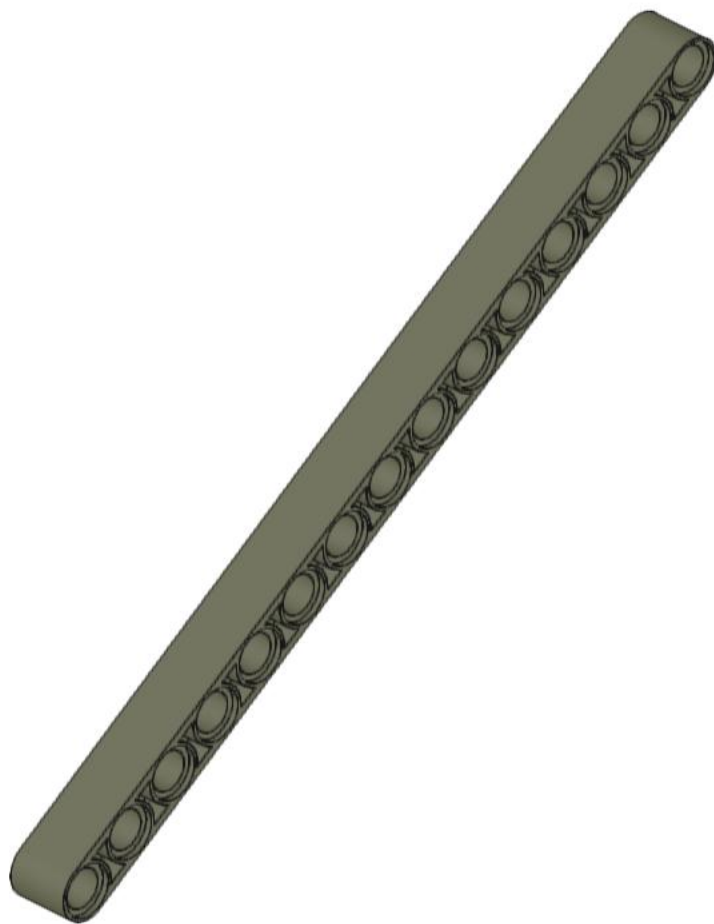


# 104

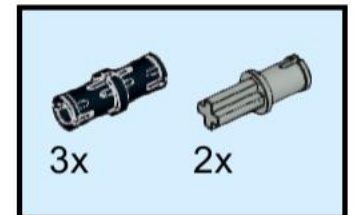
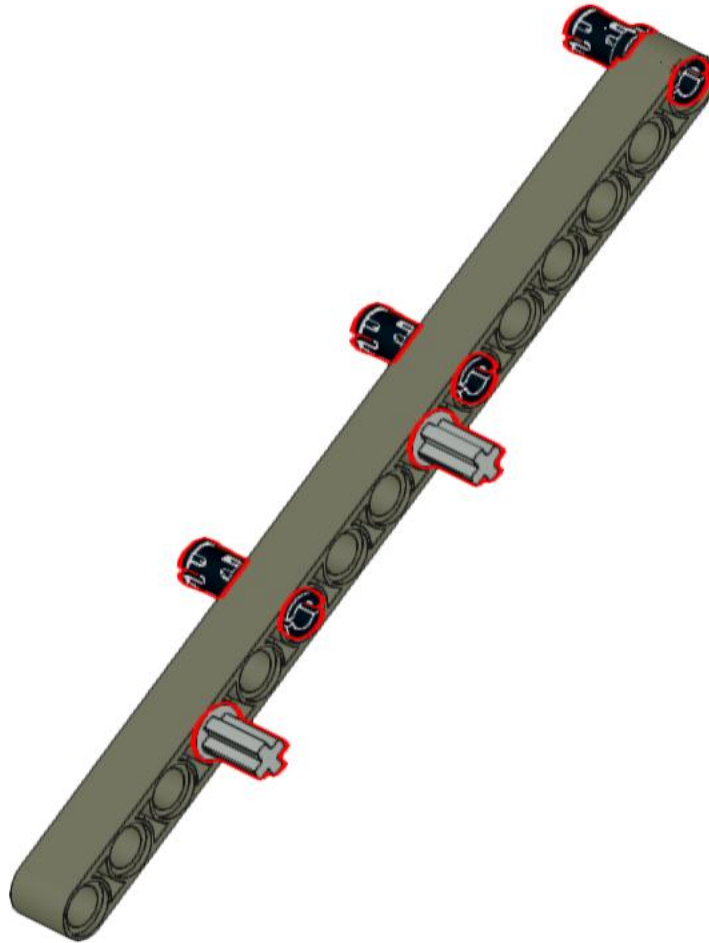


This structure is left floating for now.  
It will be attached in step 110

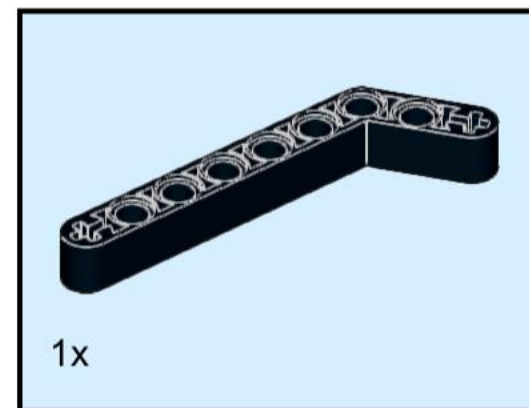
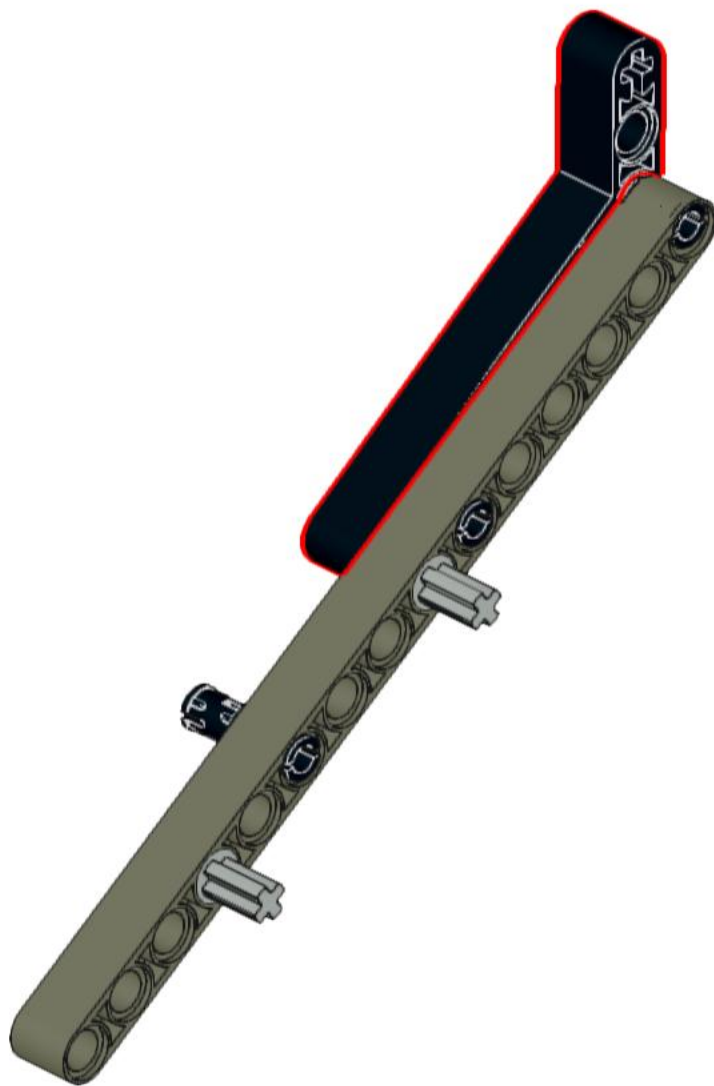
# 105



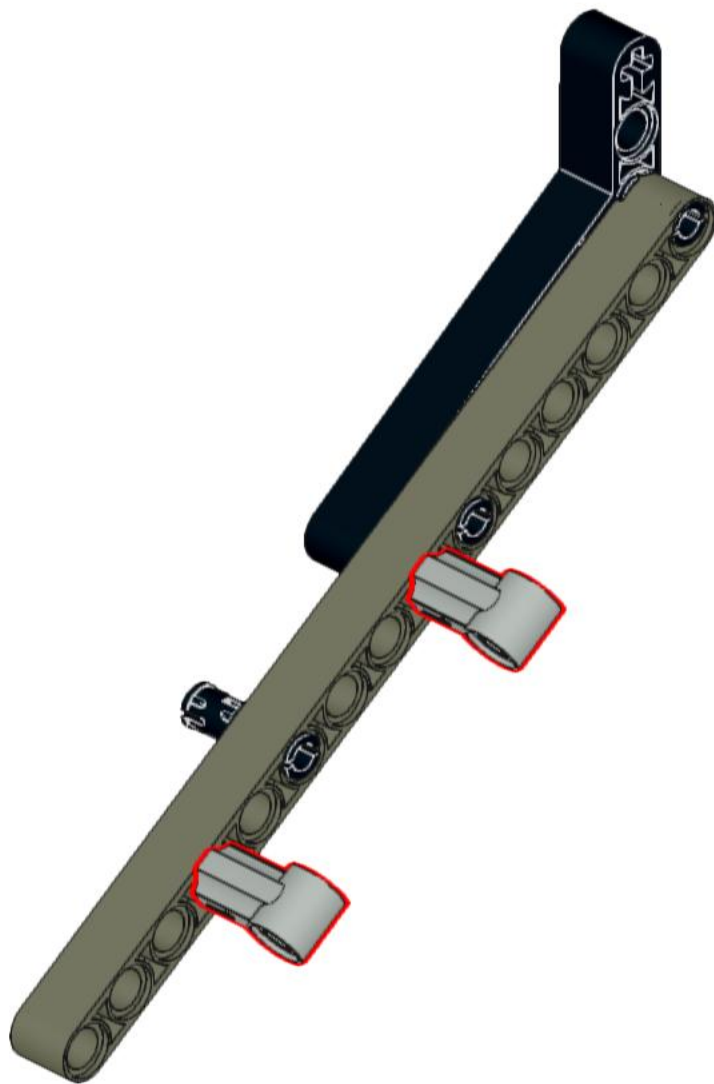
# 106



# 107

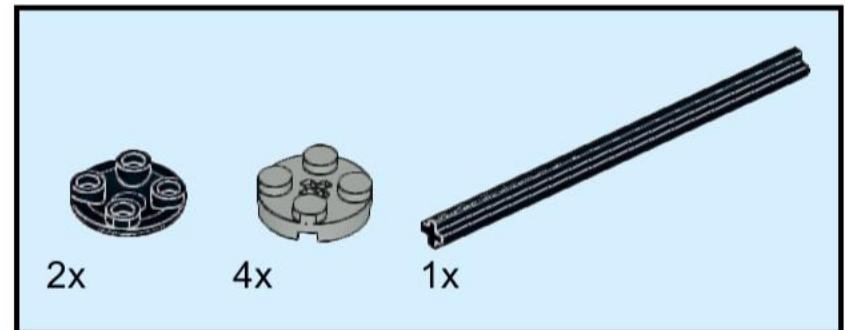
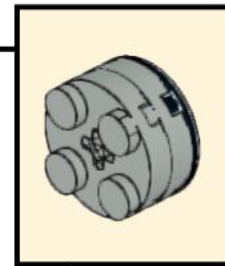
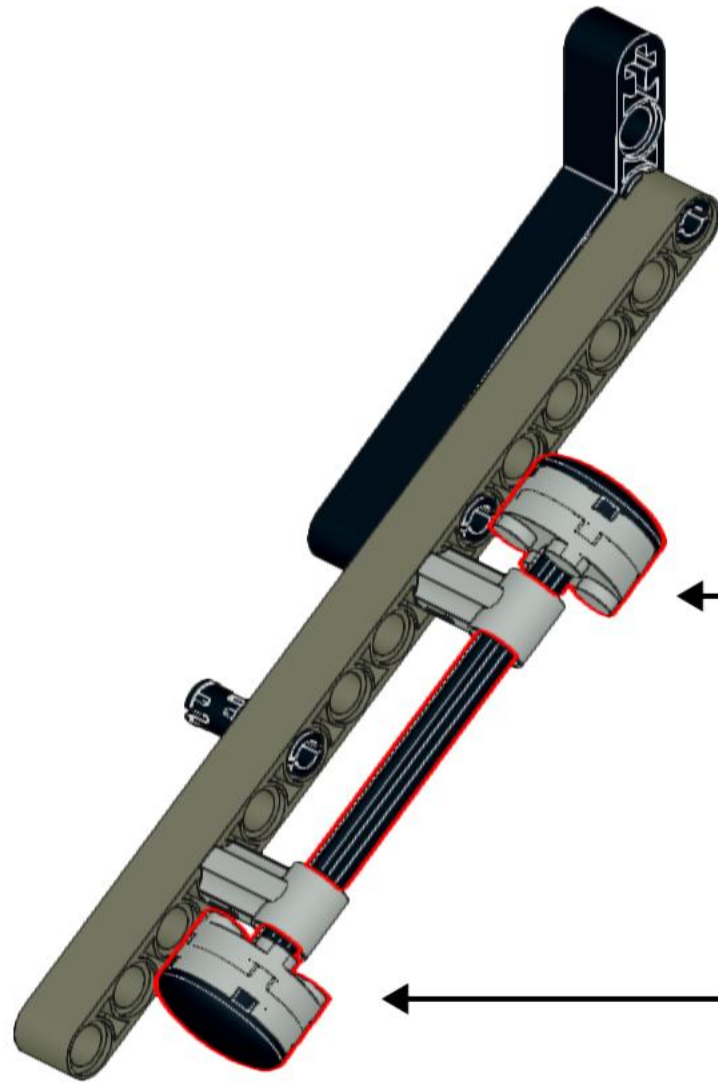


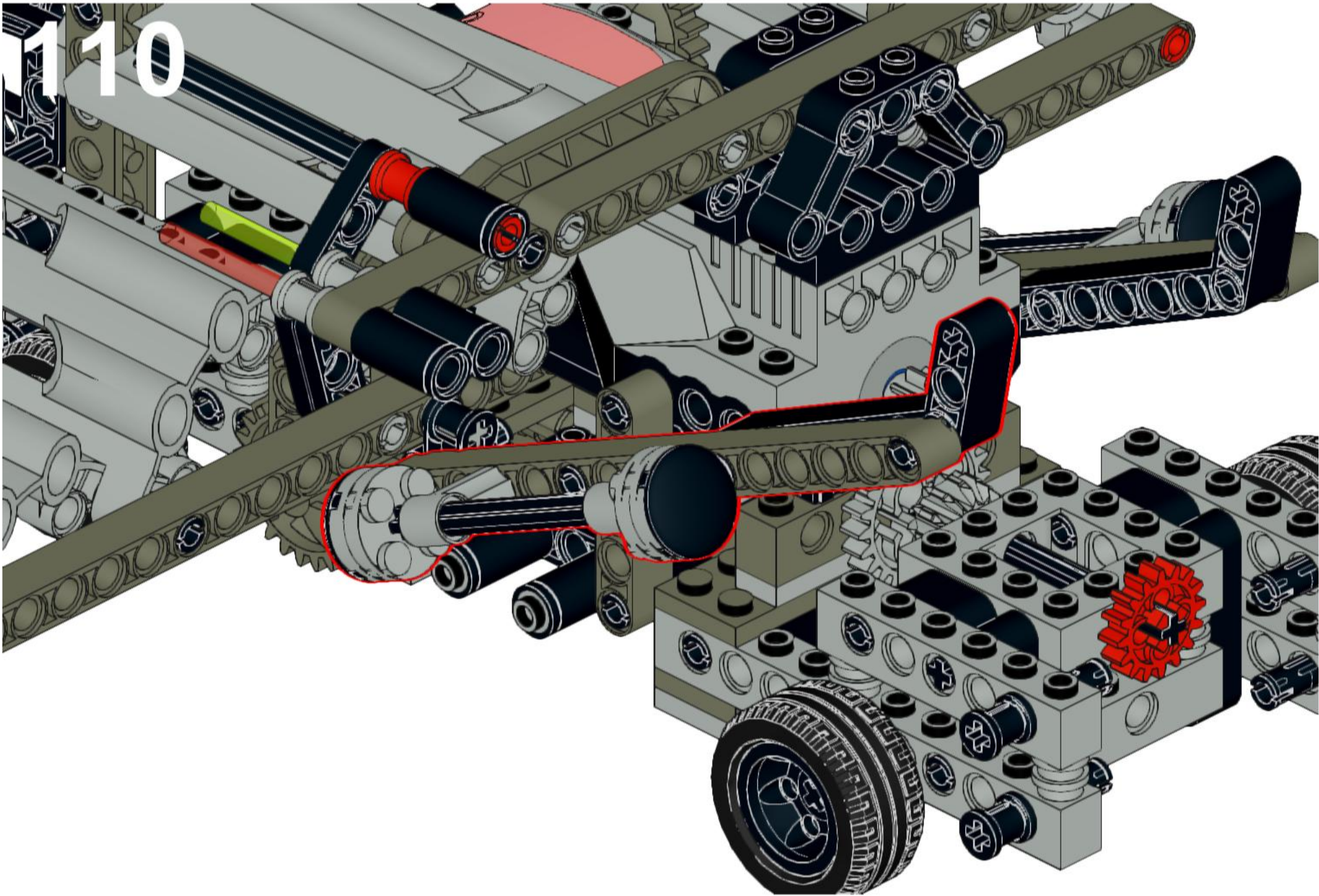
# 108





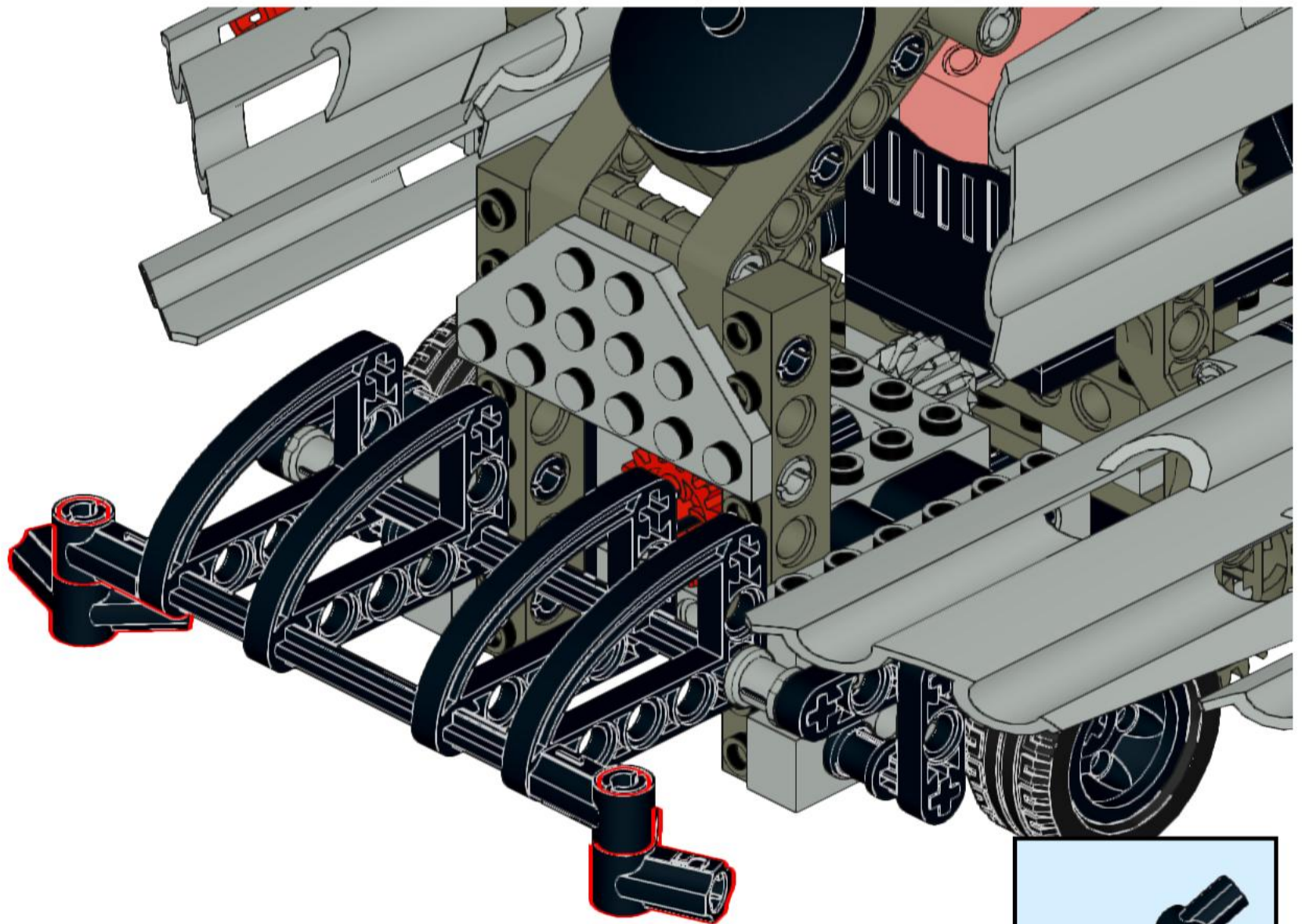
# 109



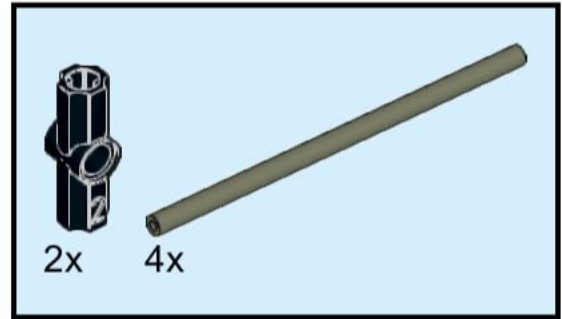
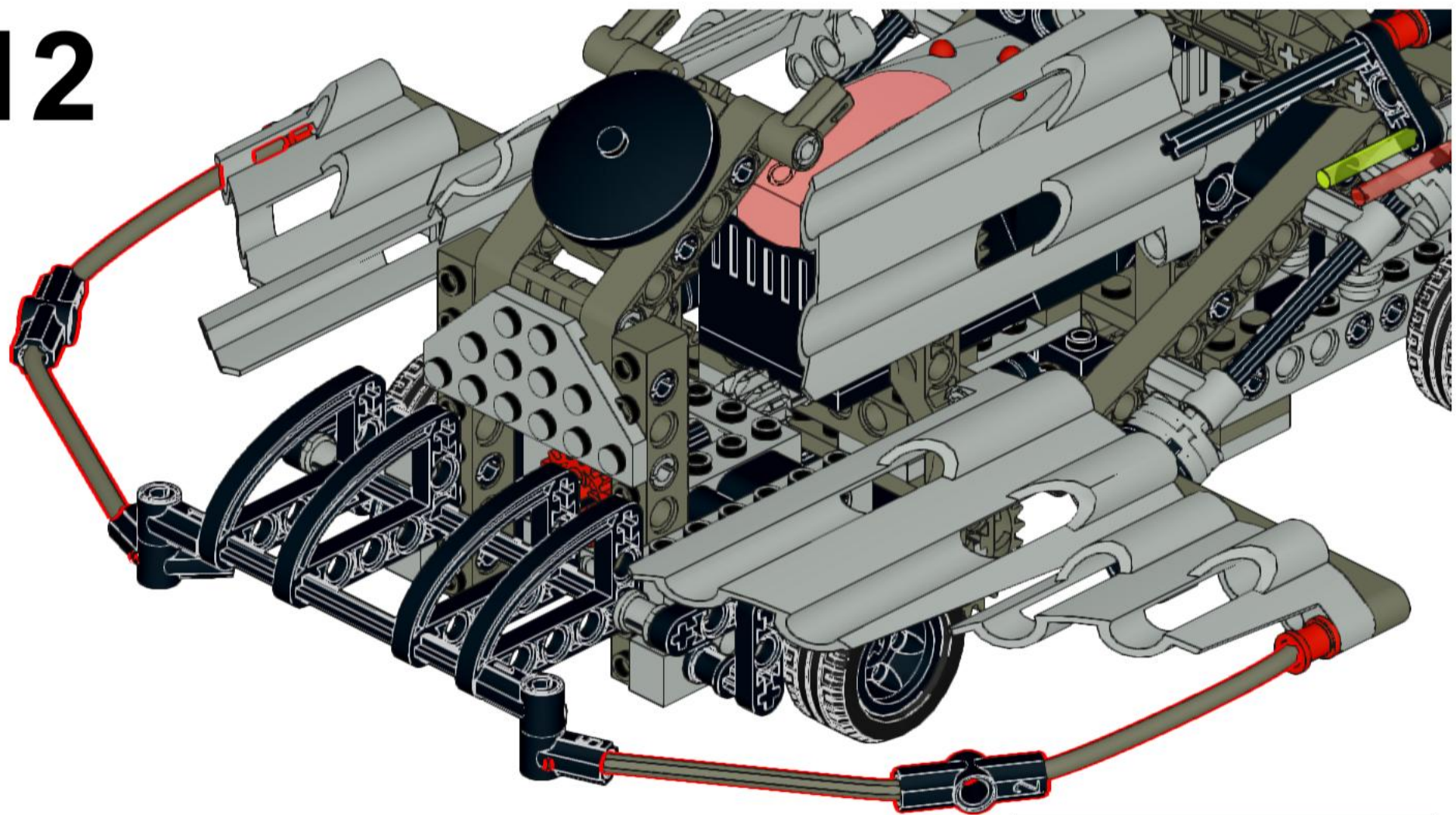




# 111

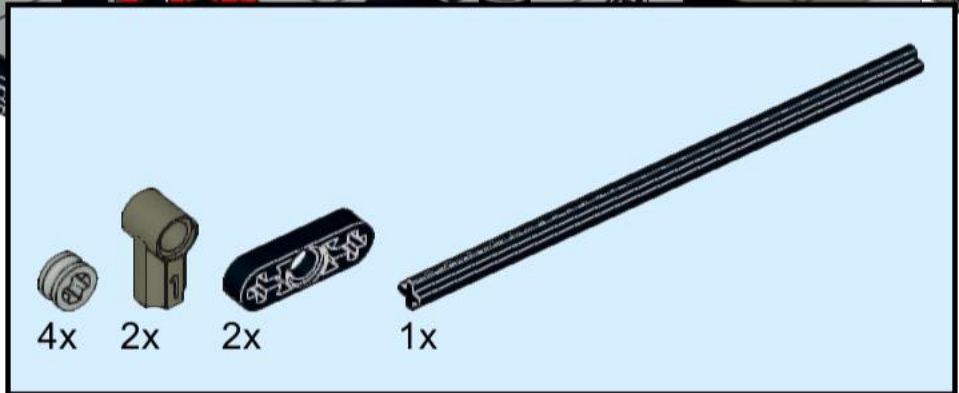
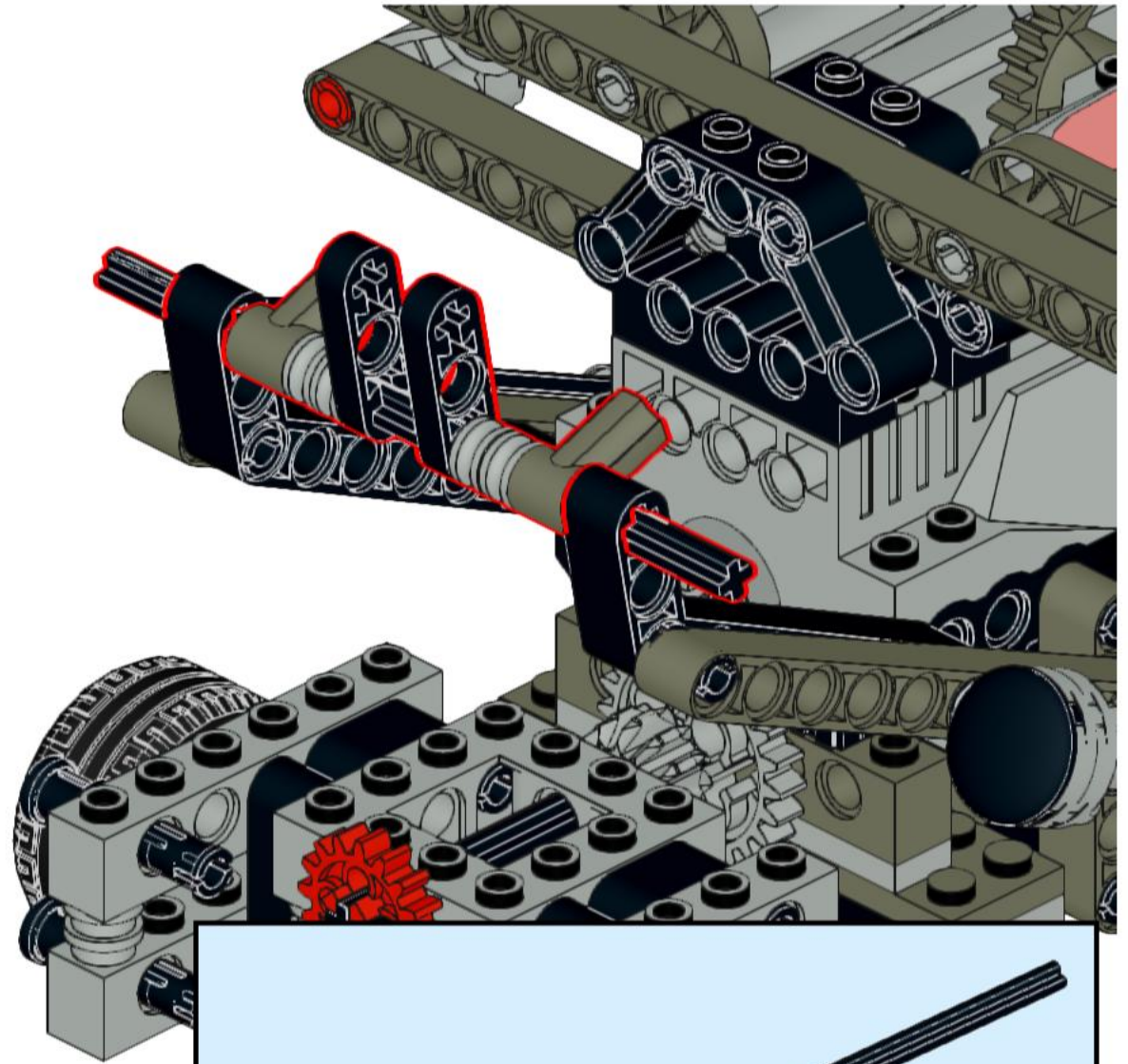


# 112



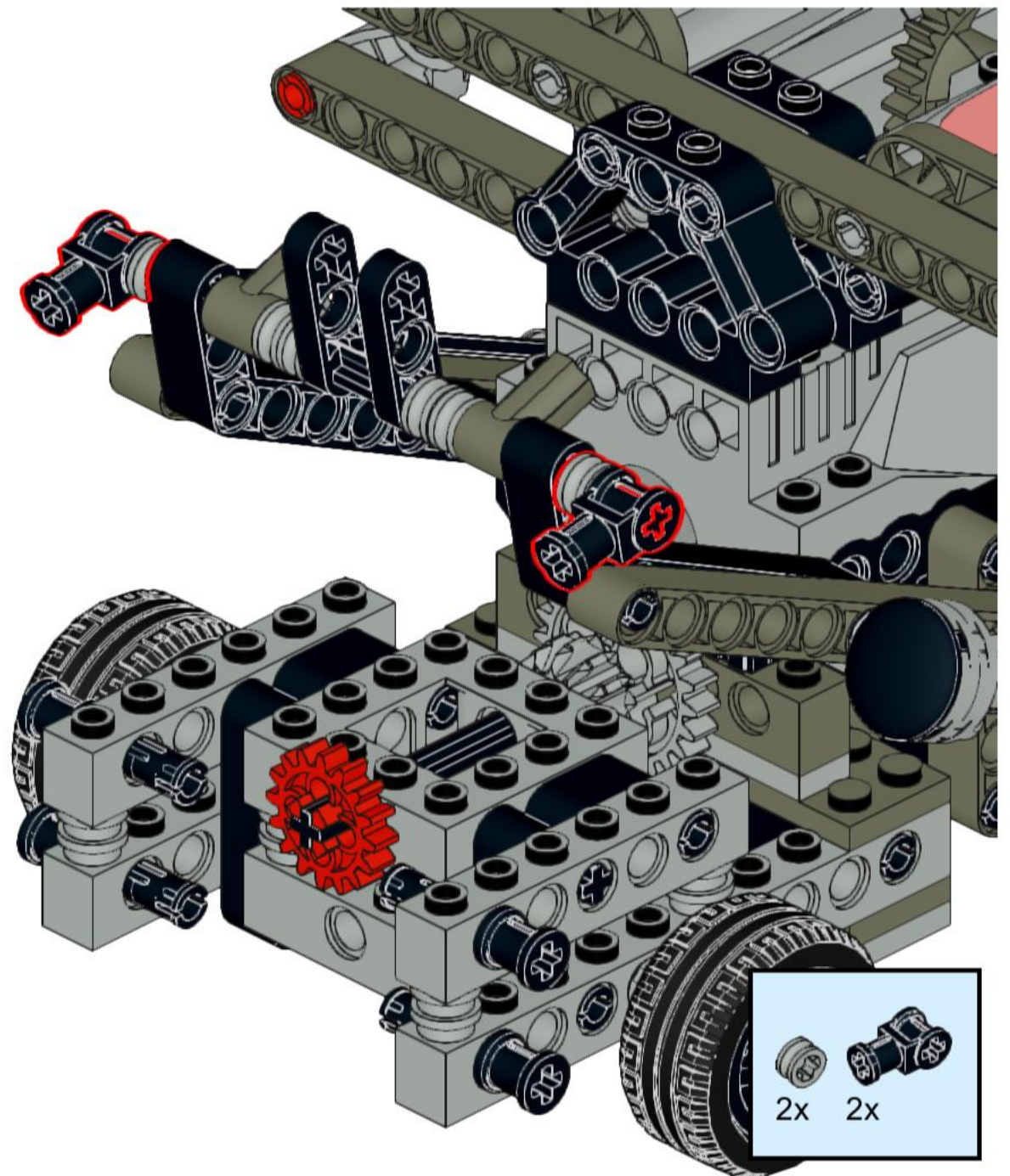


# 113

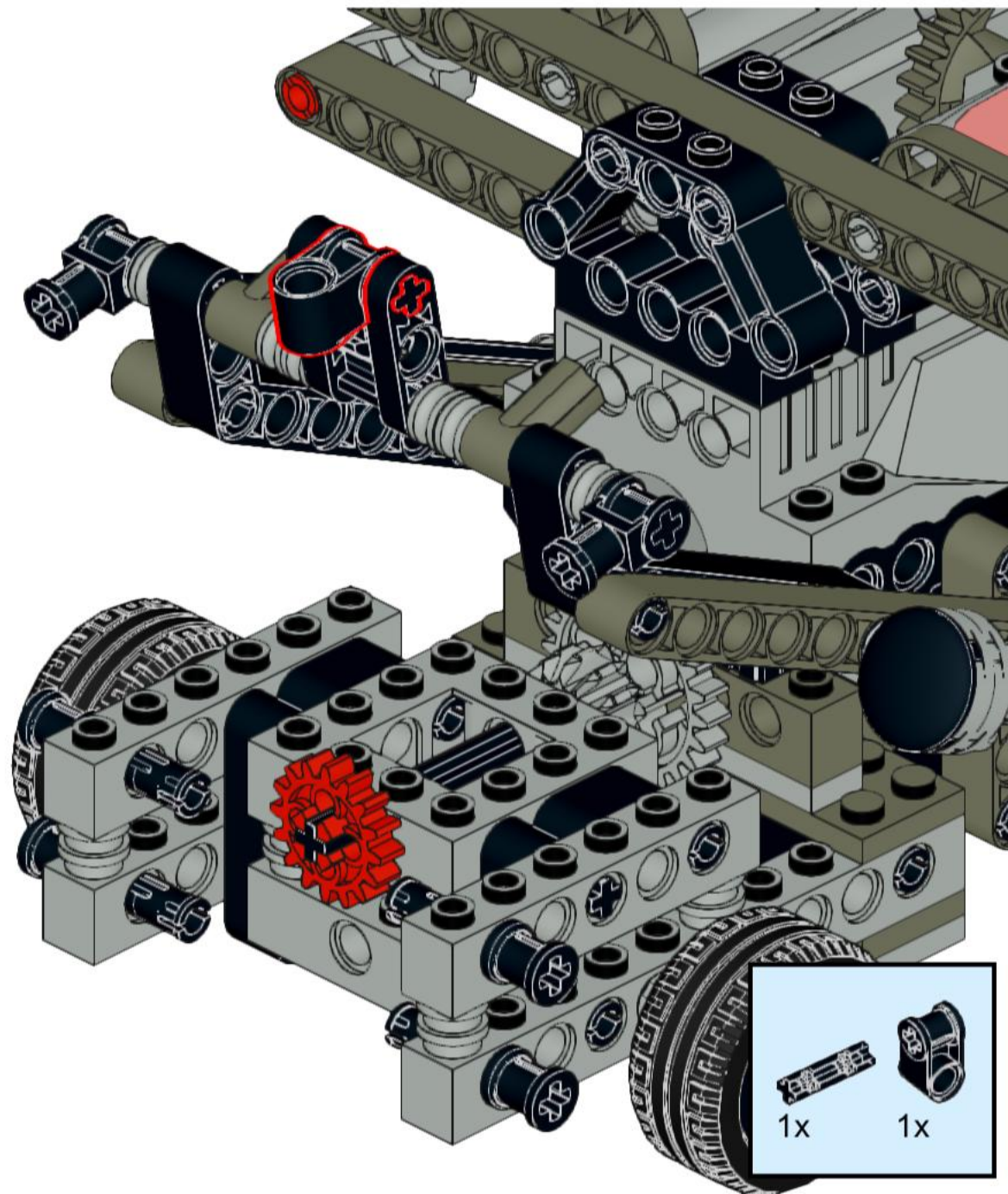




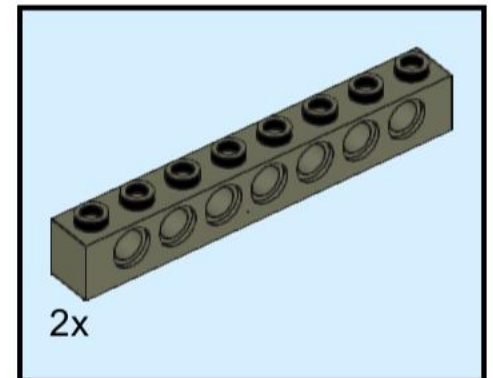
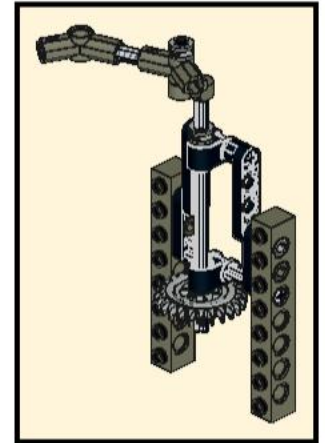
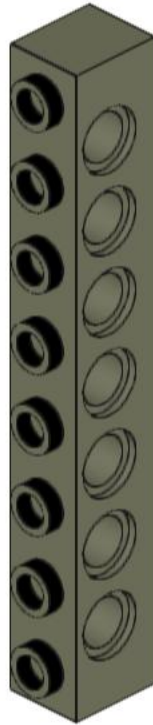
# 114



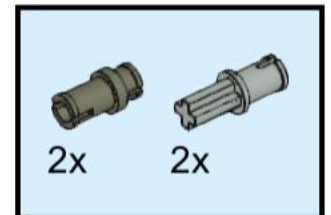
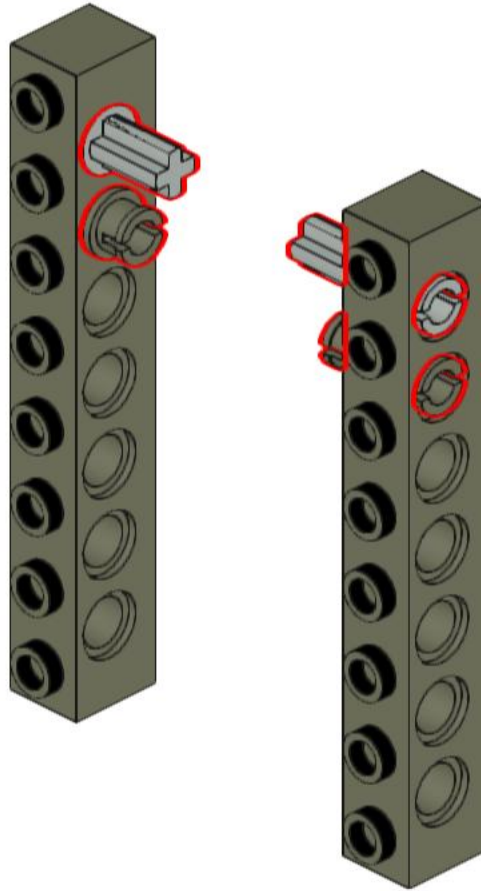
# 115



# 116

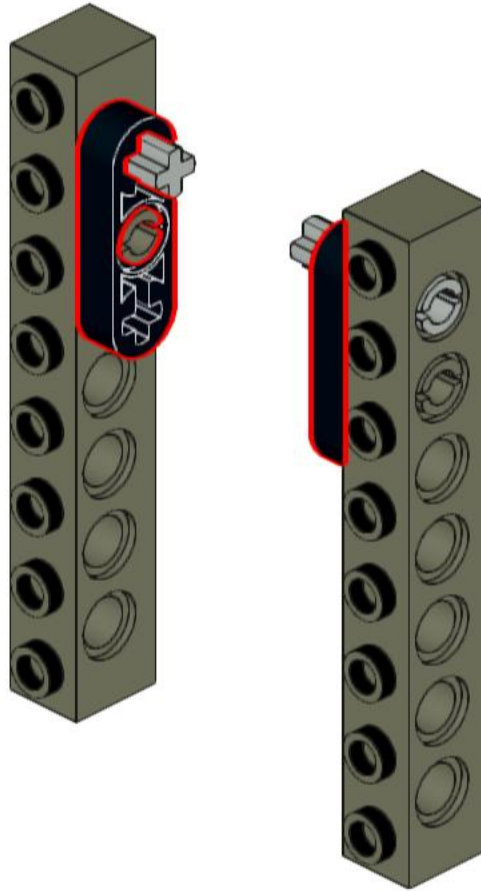


# 117



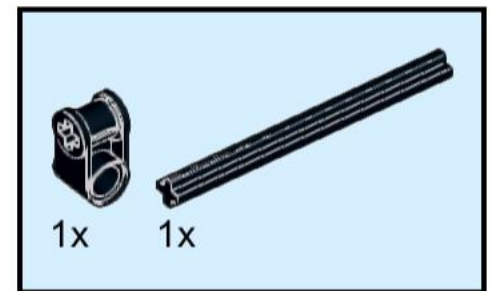
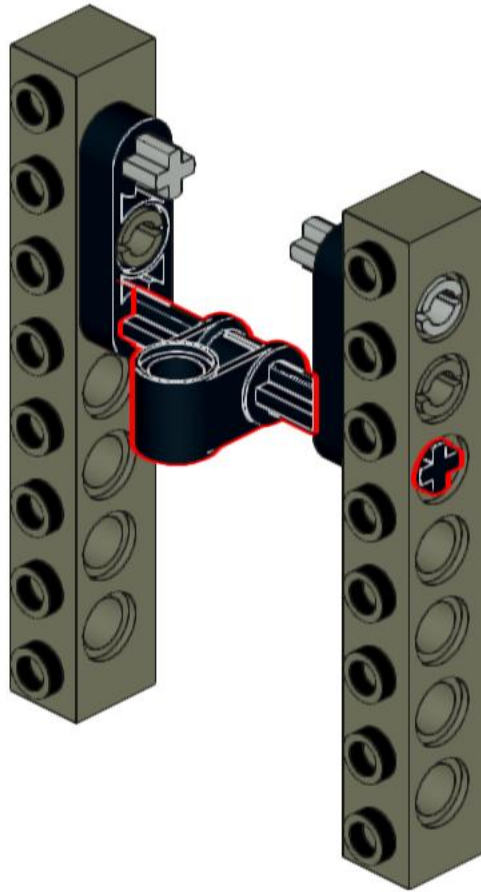


# 118

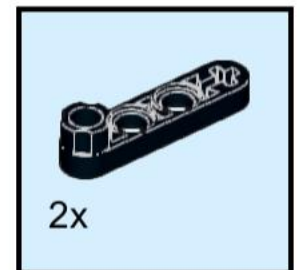
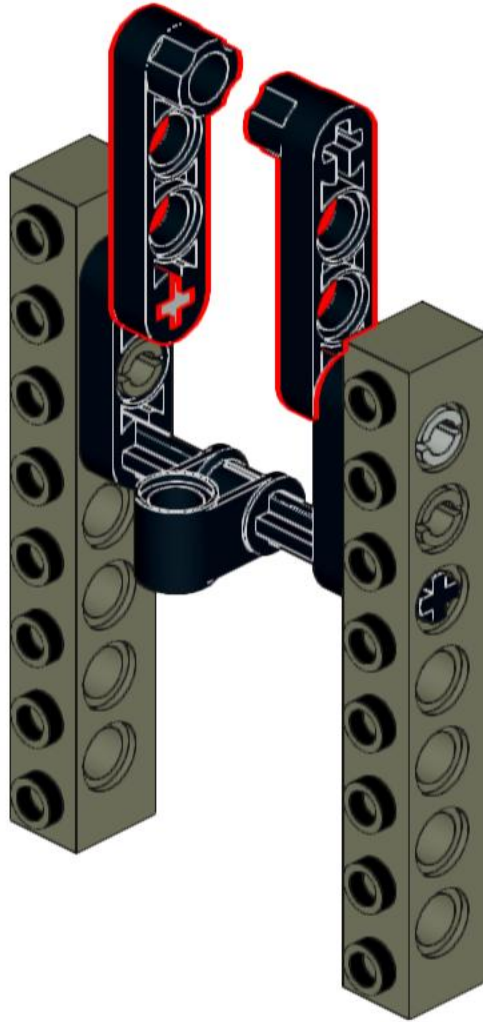




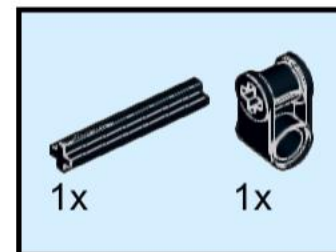
# 119



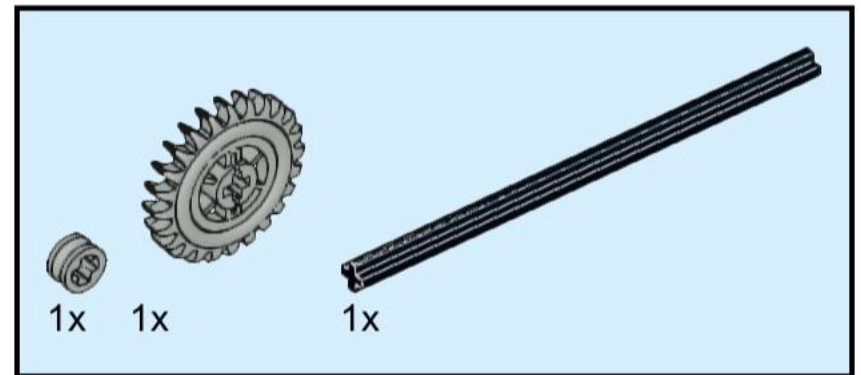
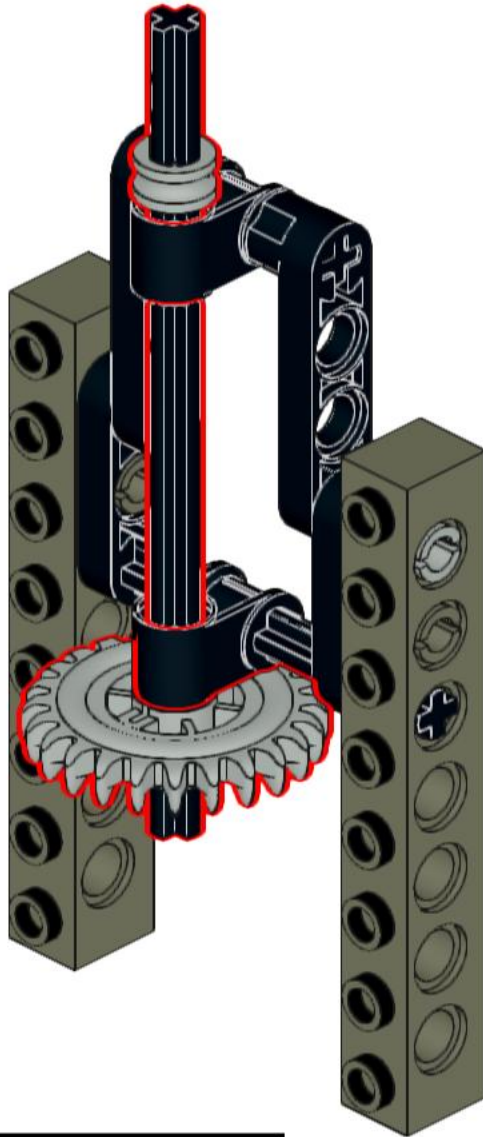
# 120



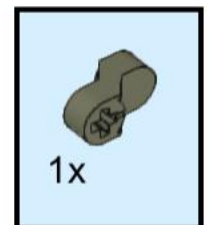
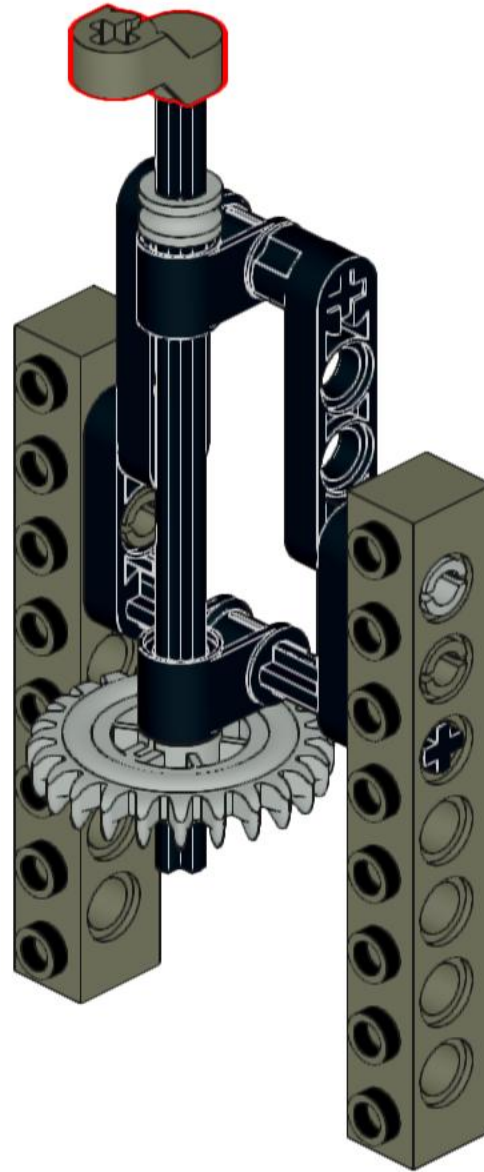
# 121



# 122



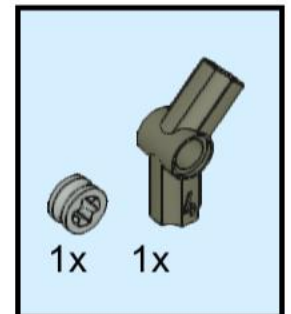
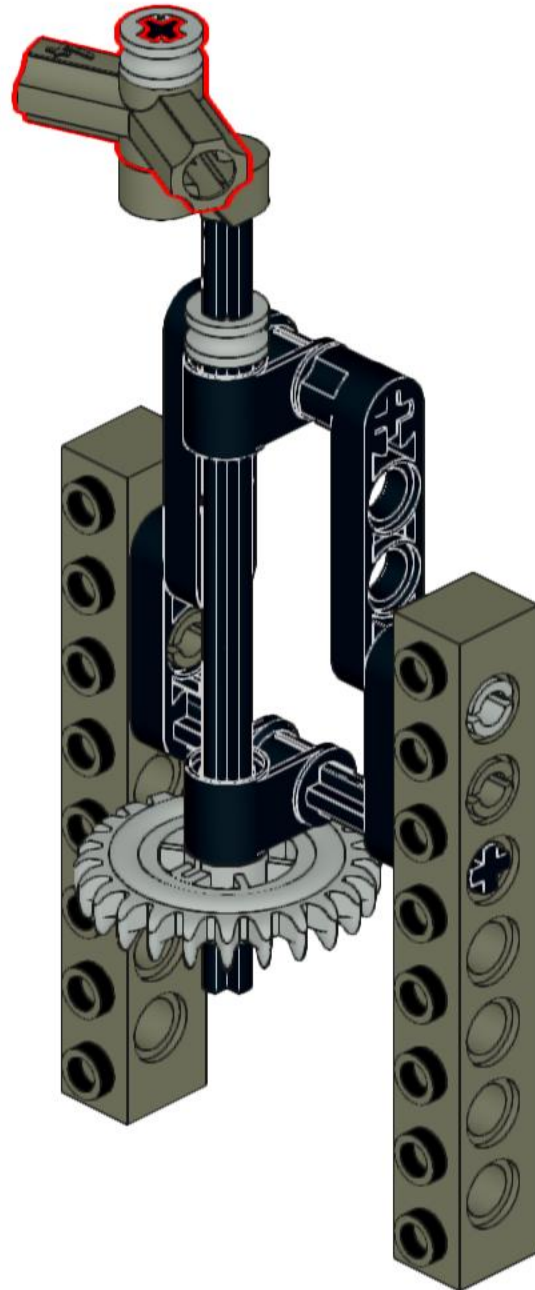
# 123





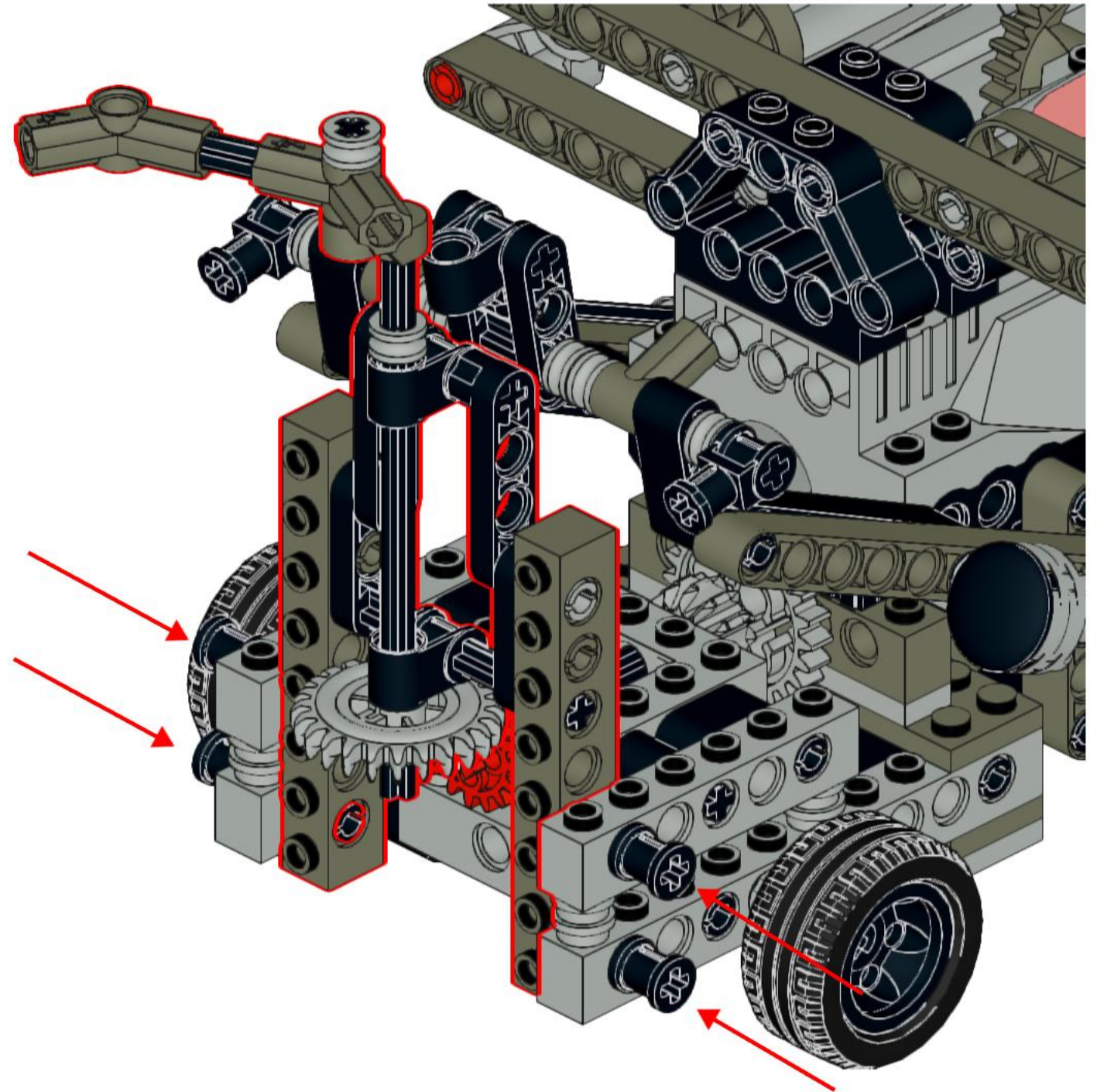


# 125

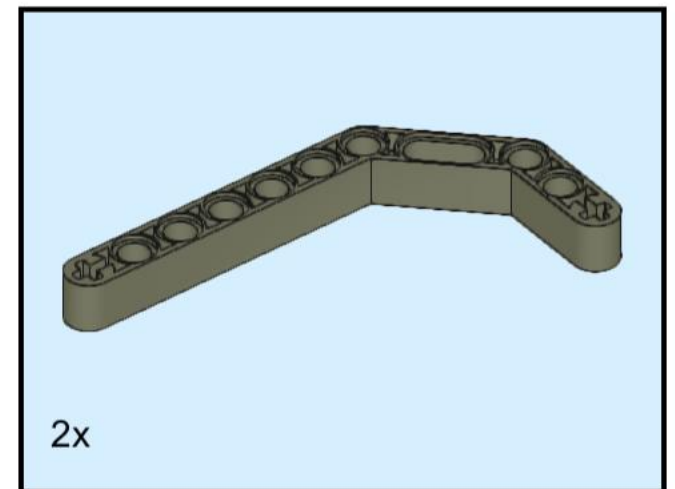
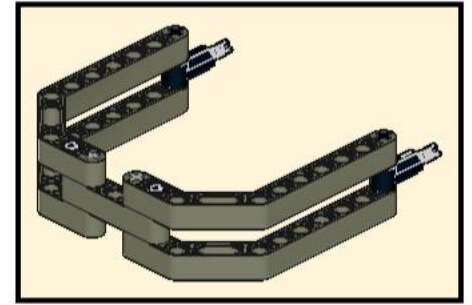
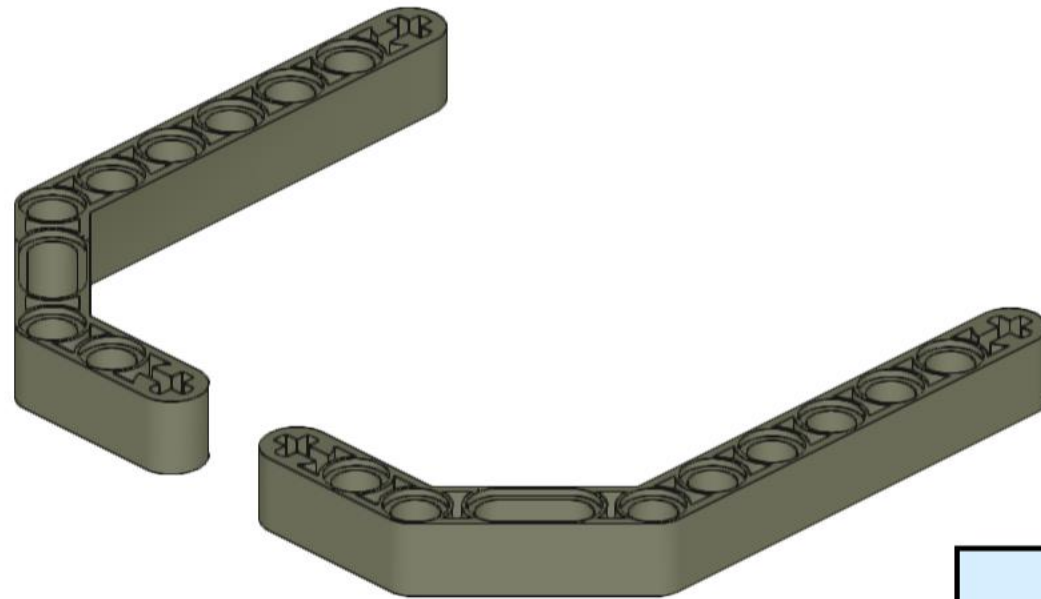




# 127

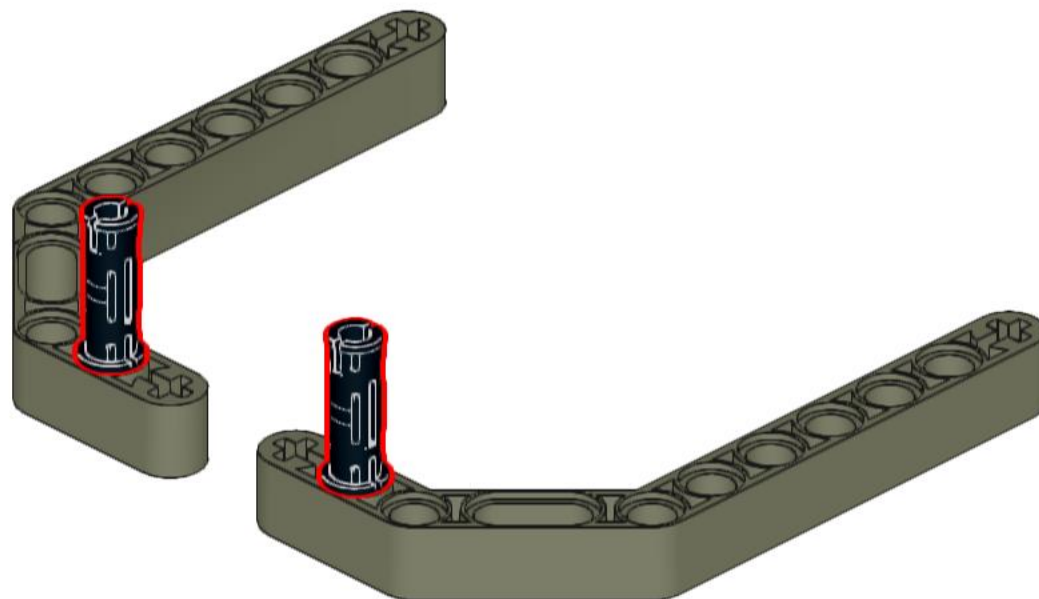


# 128

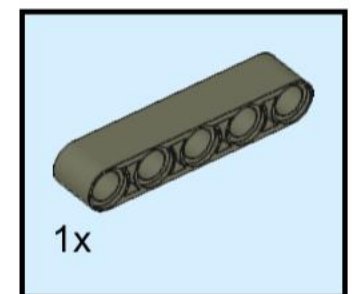
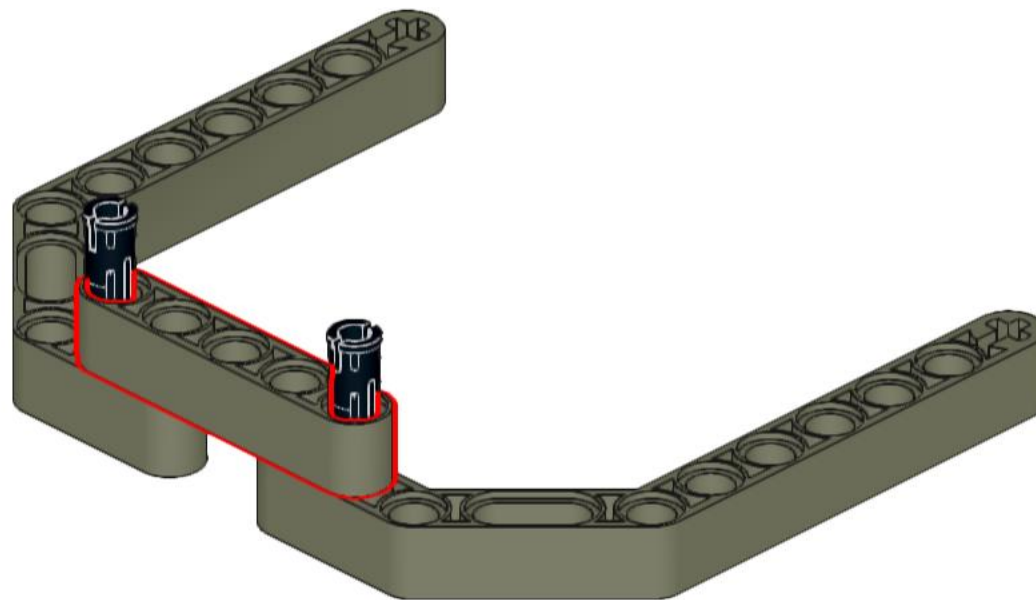




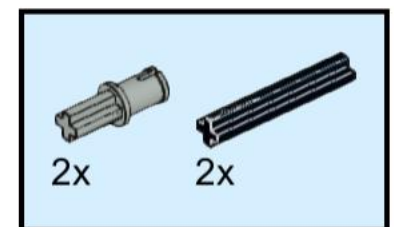
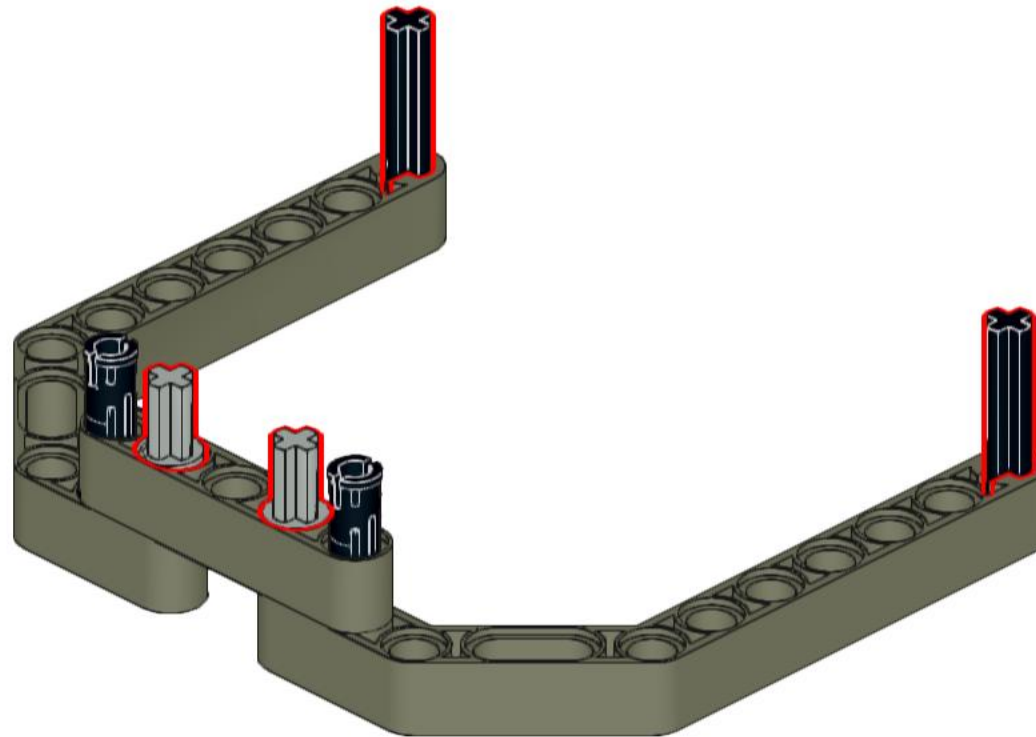
# 129



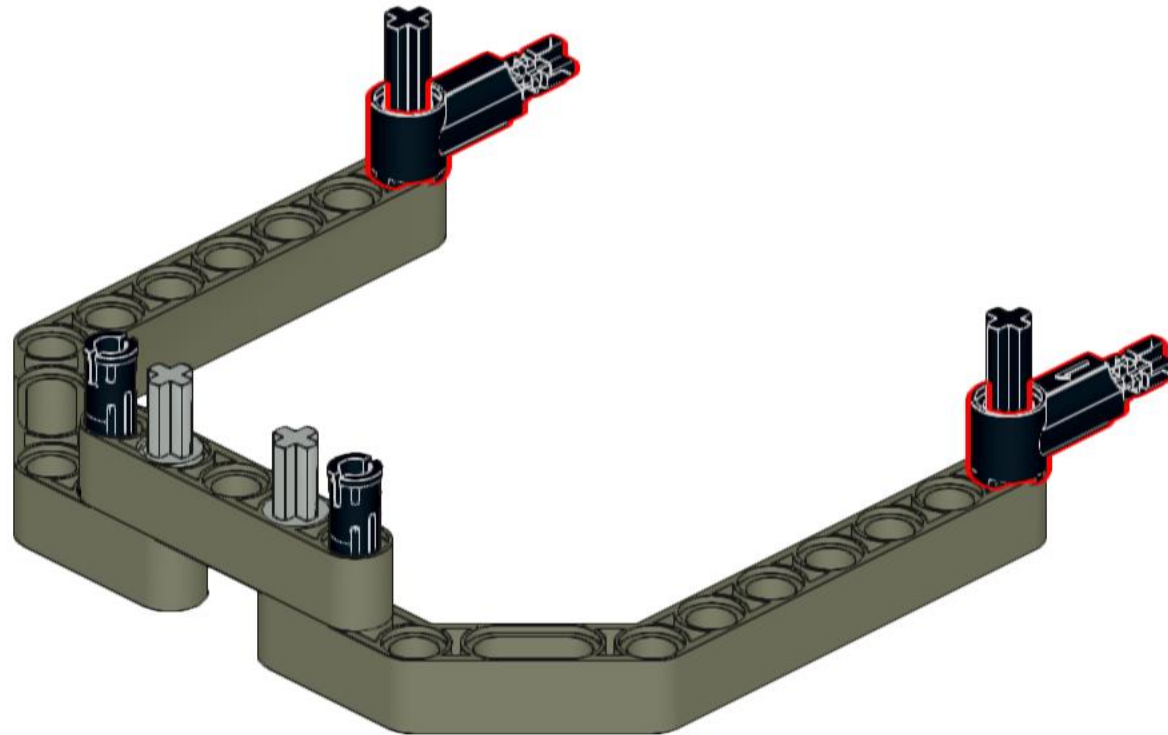
# 130



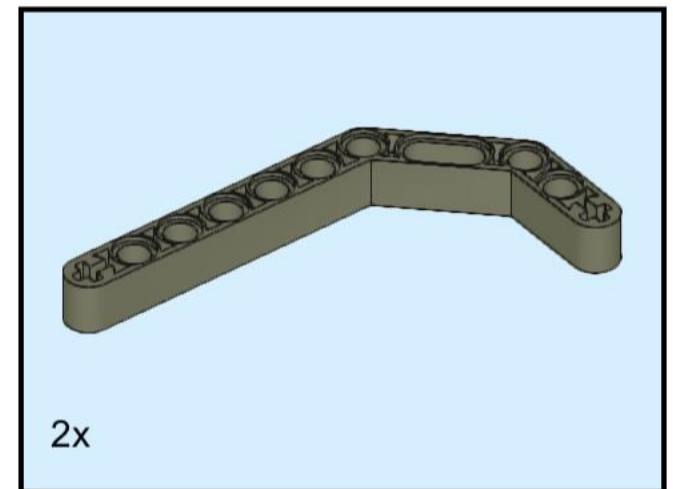
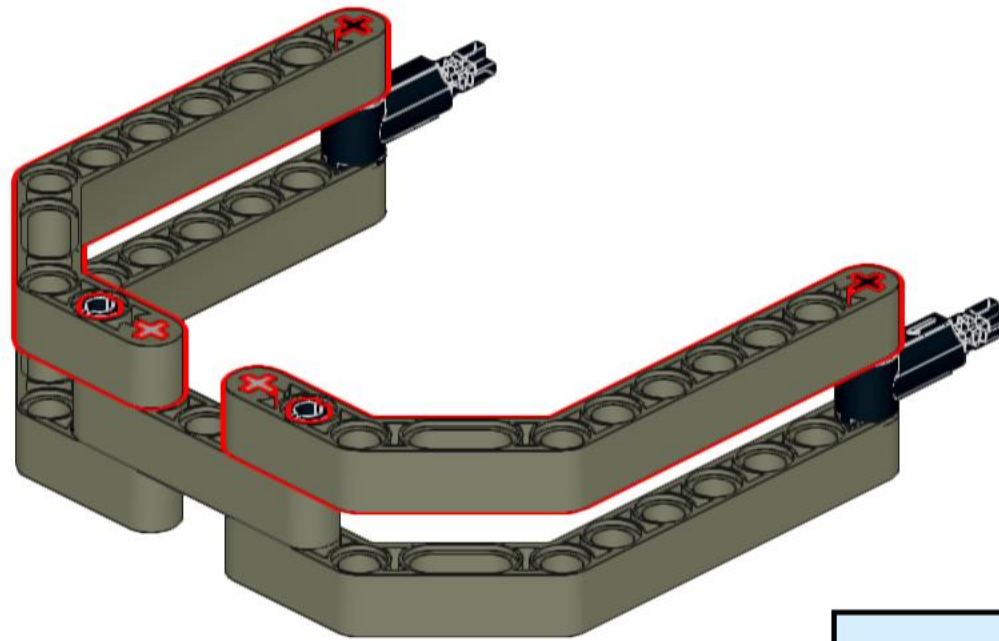
# 131



# 132



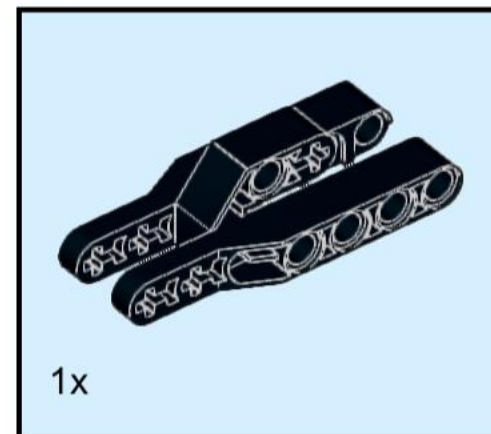
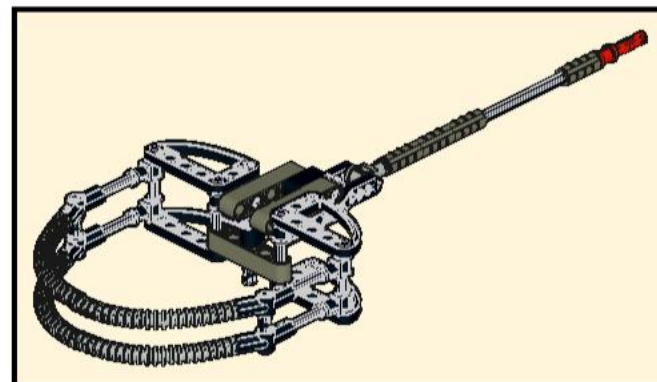
# 133





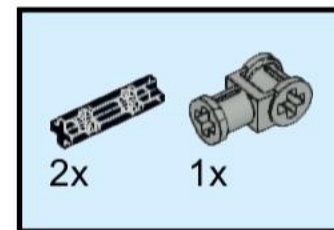
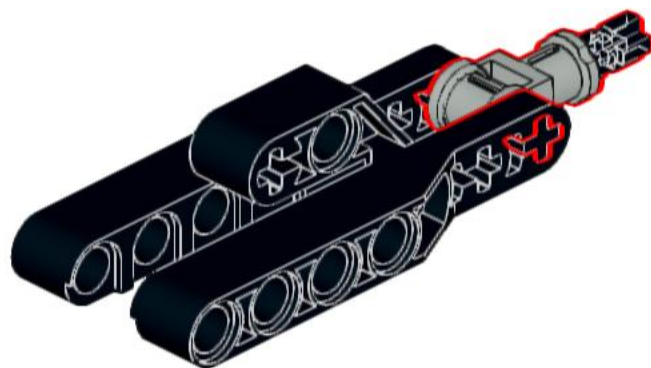


# 135

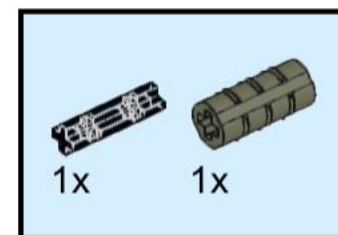
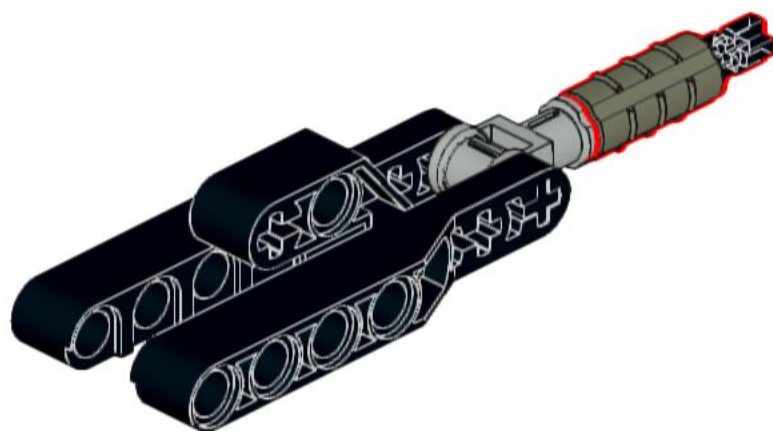


1x

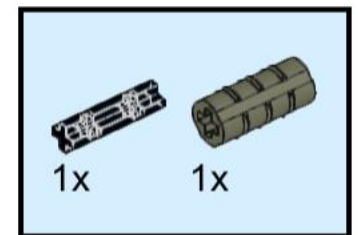
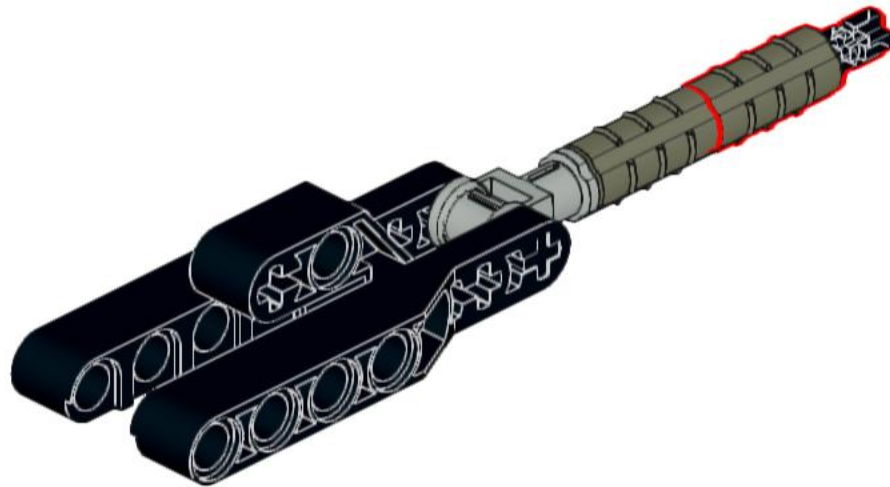
# 136



# 137

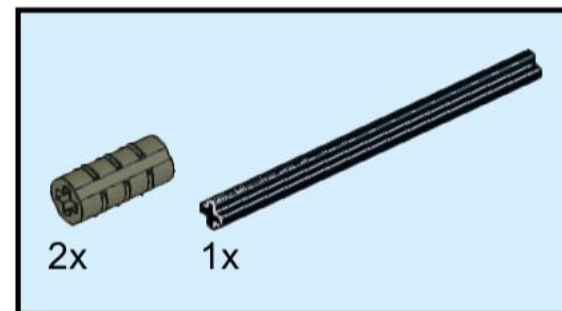
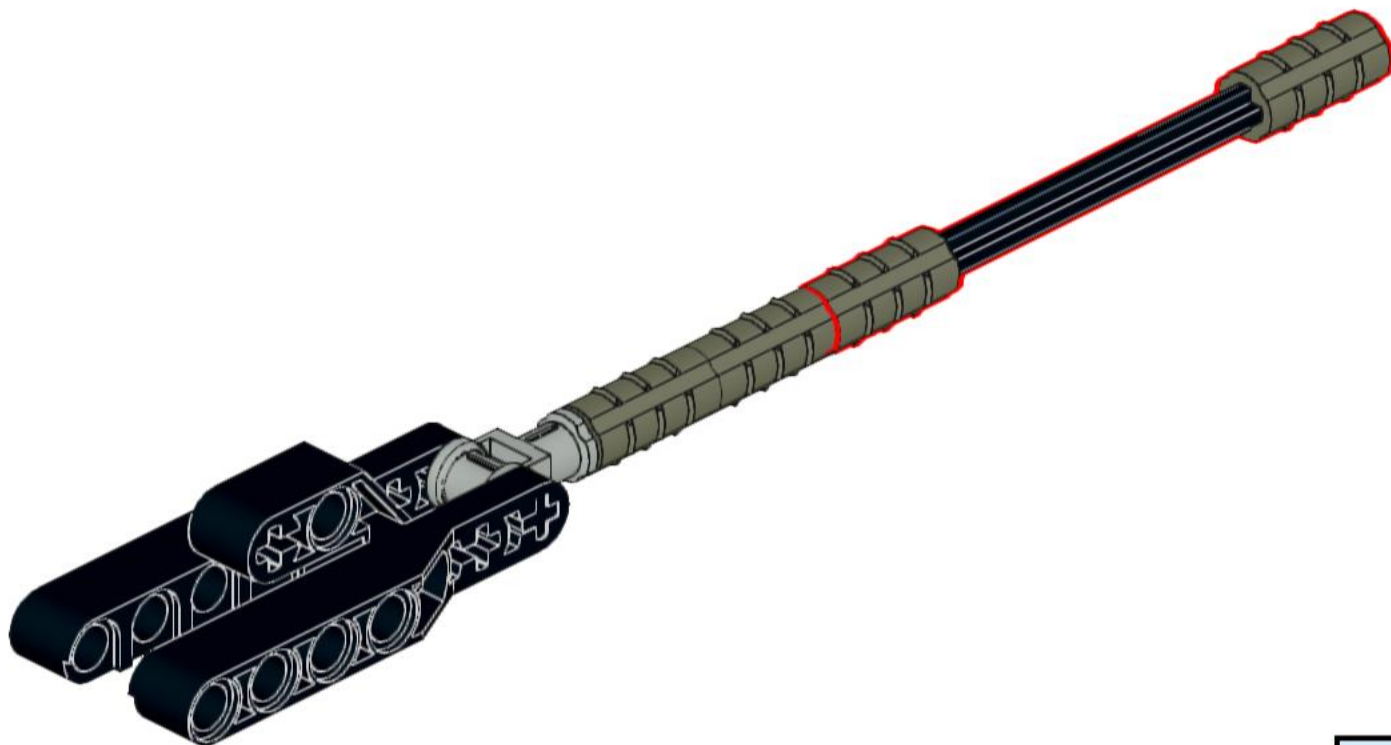


# 138

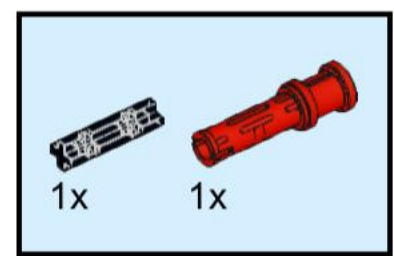
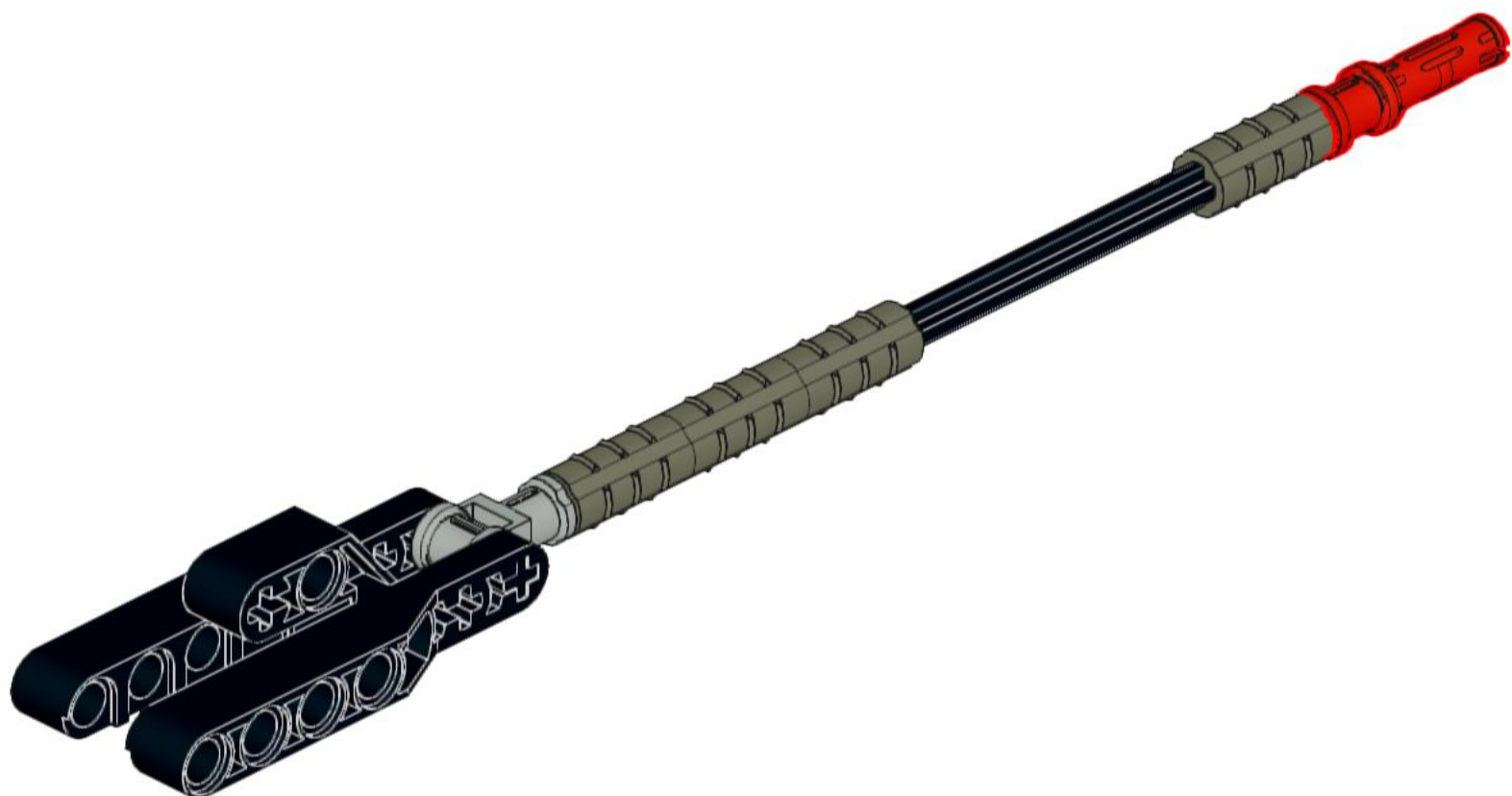




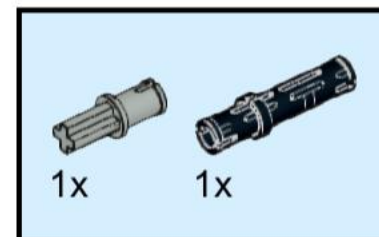
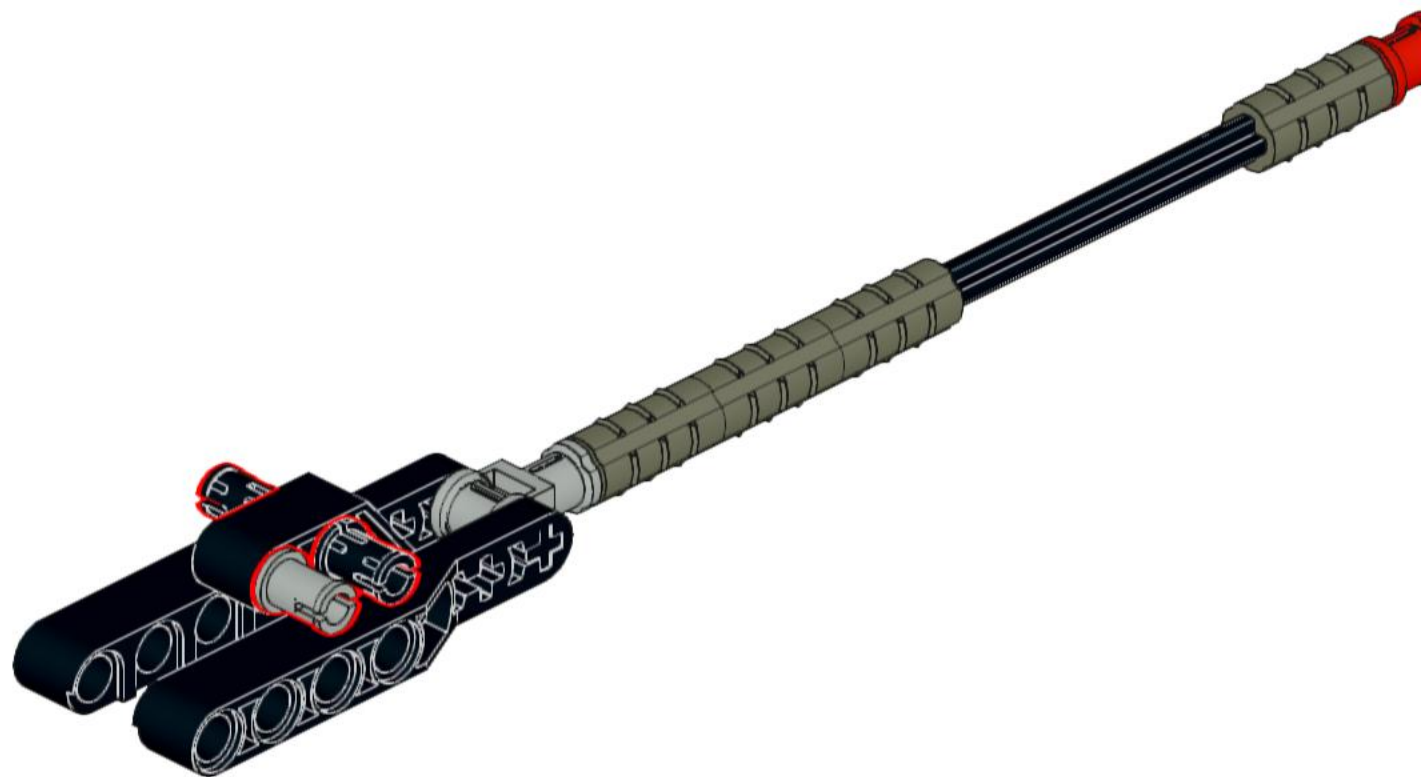
# 139



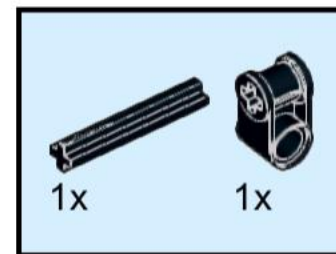
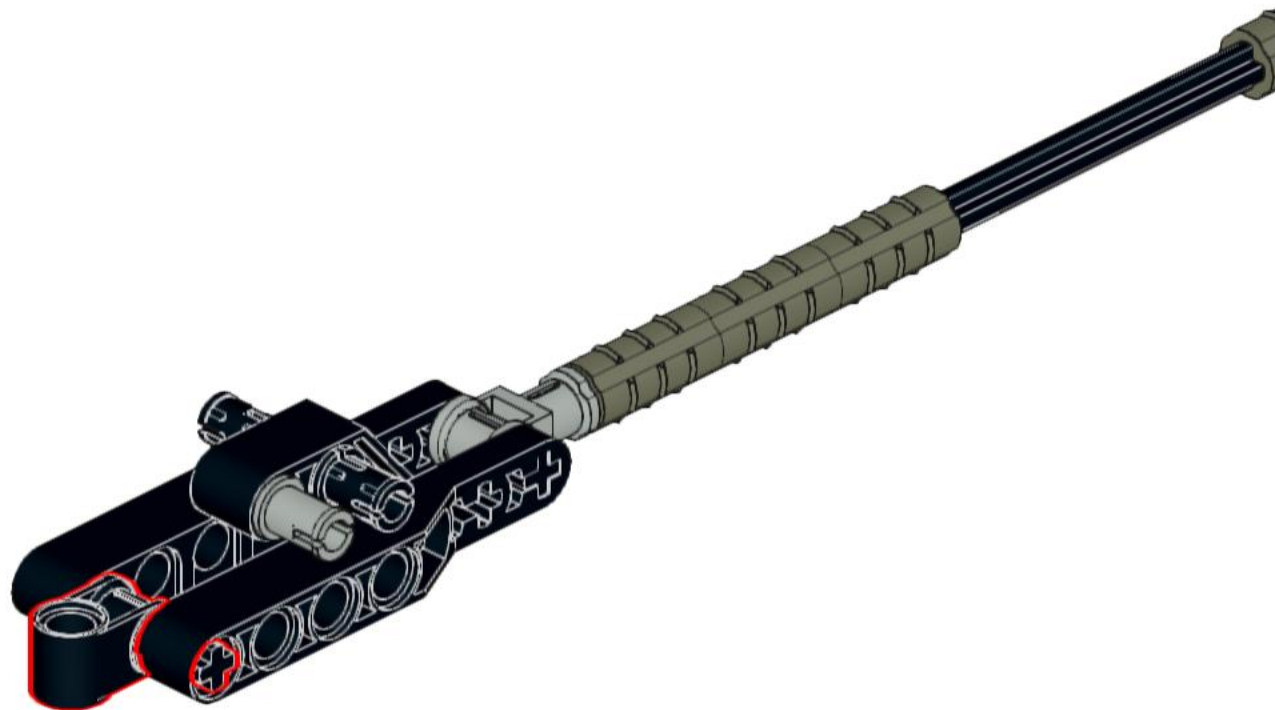
# 140



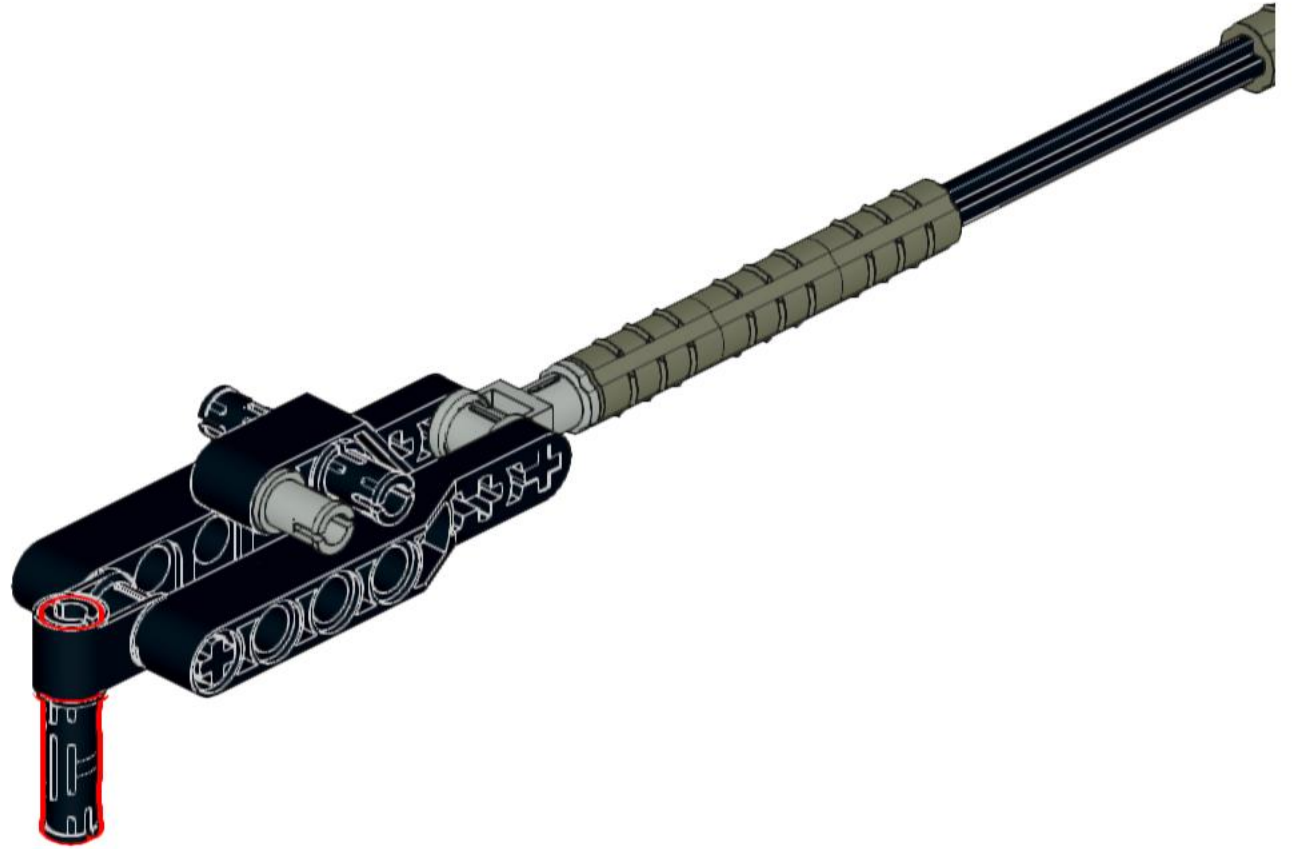
# 141



# 142

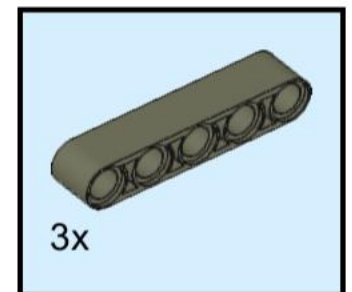
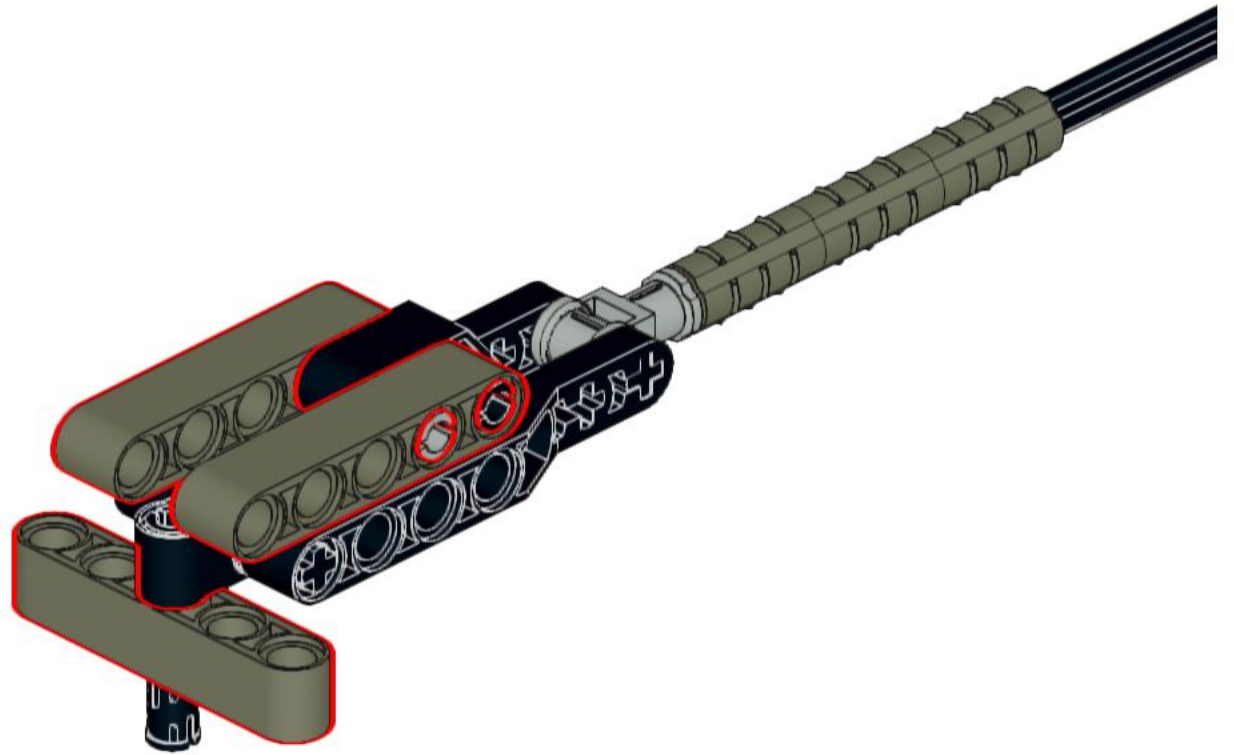


# 143

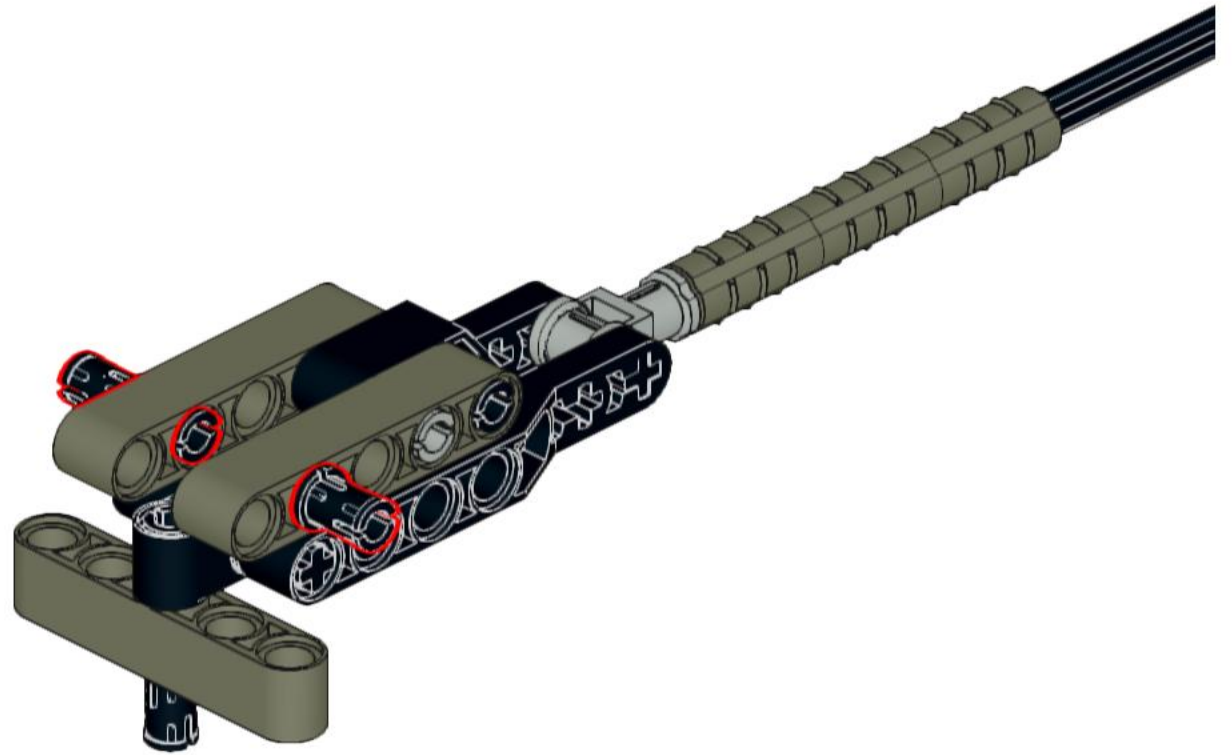




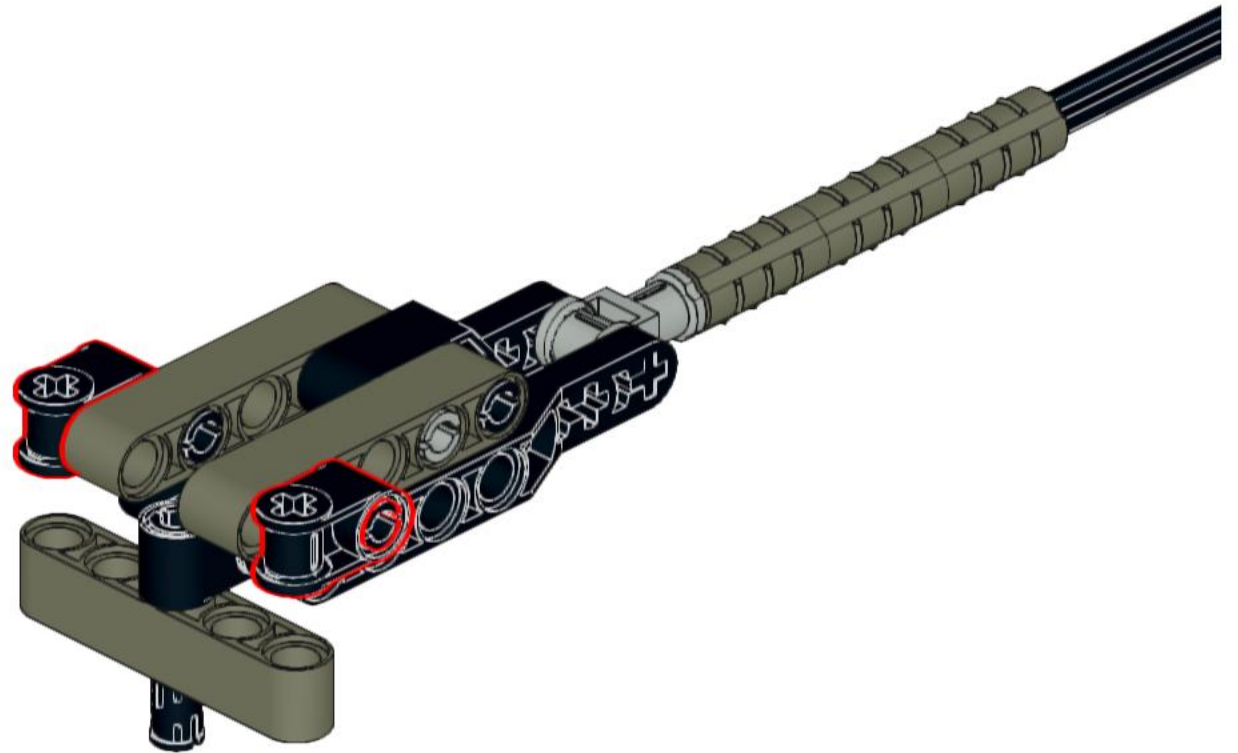
# 144



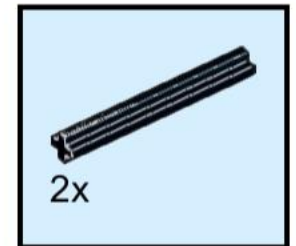
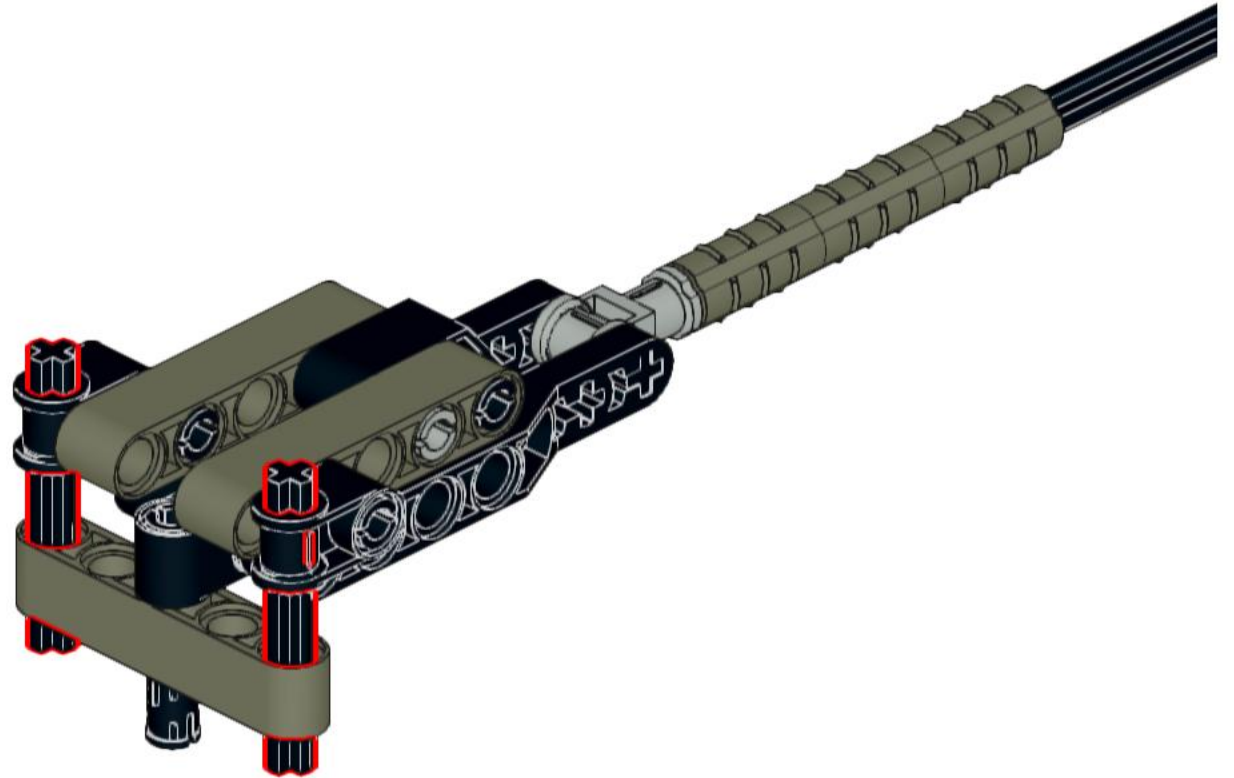
# 145



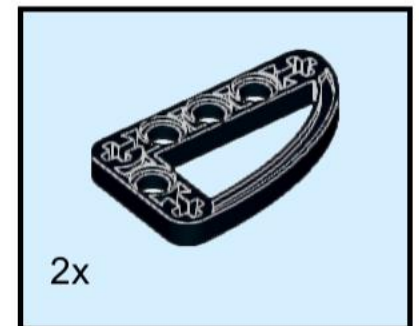
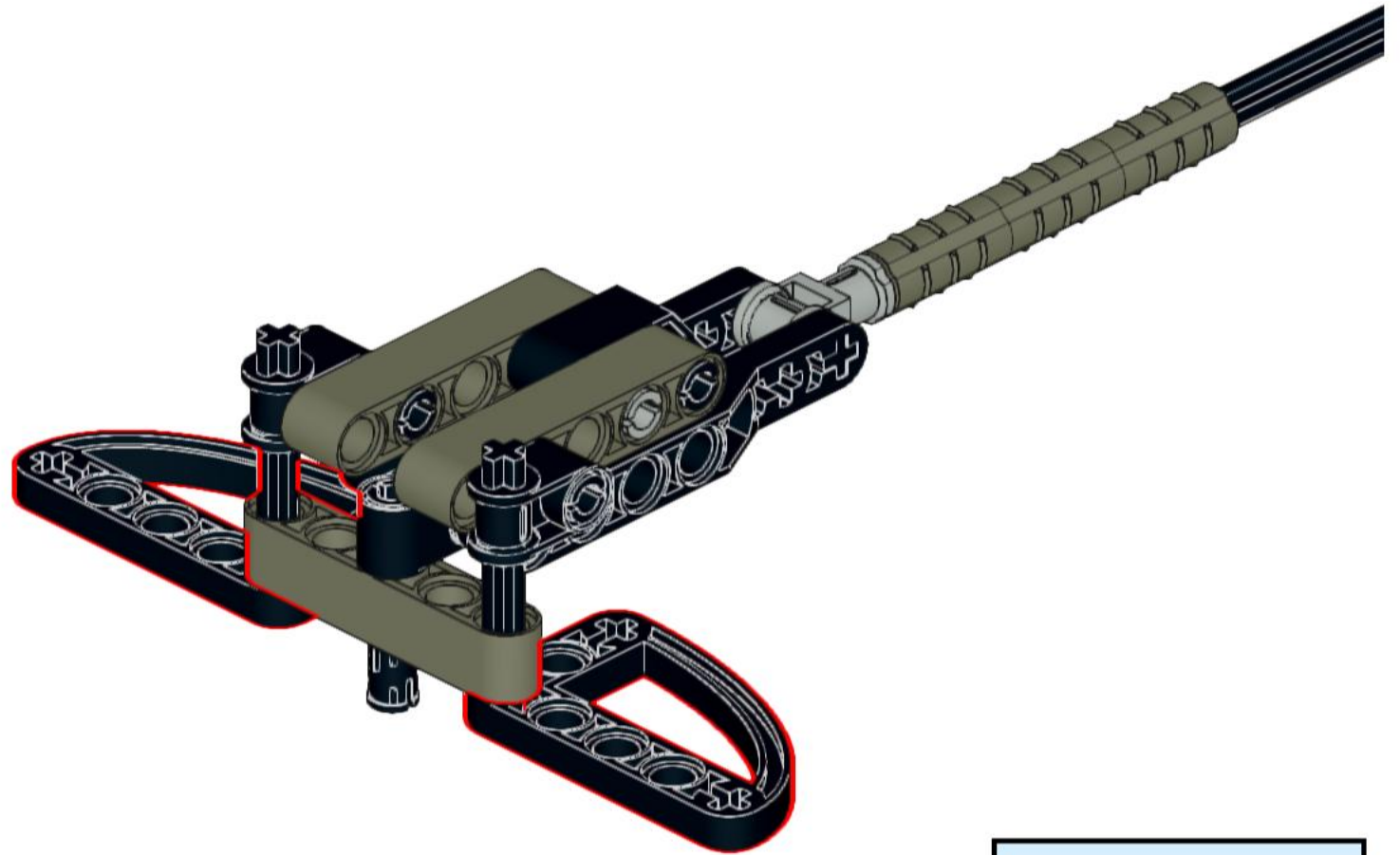
# 146



# 147

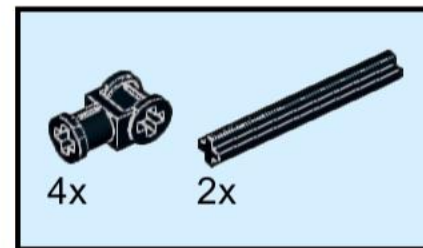
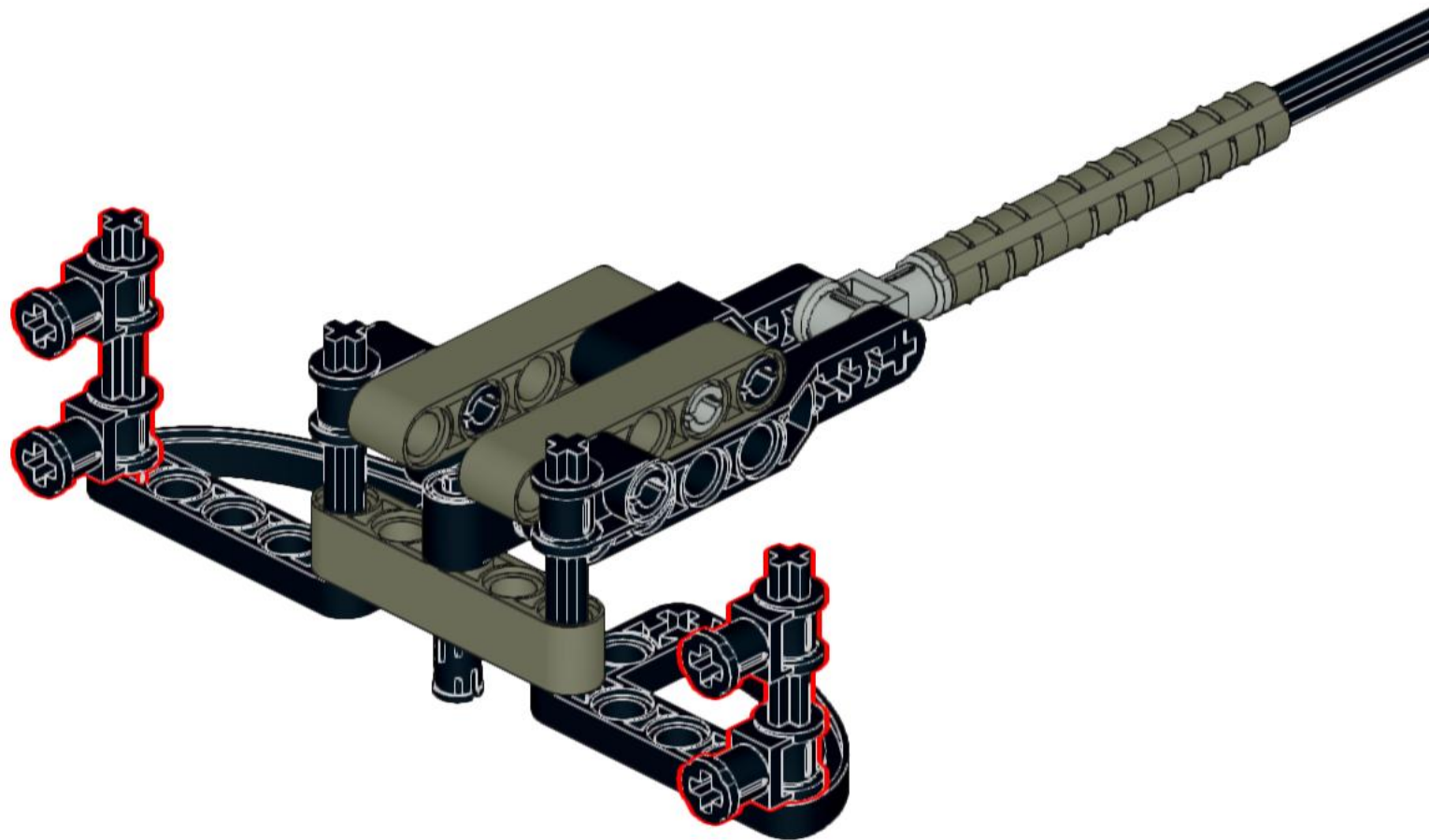


# 148

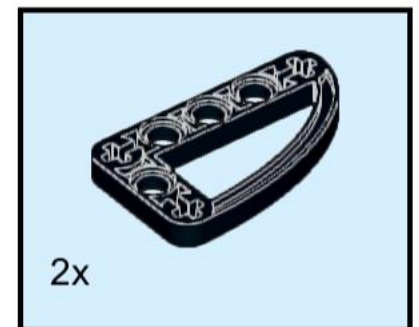
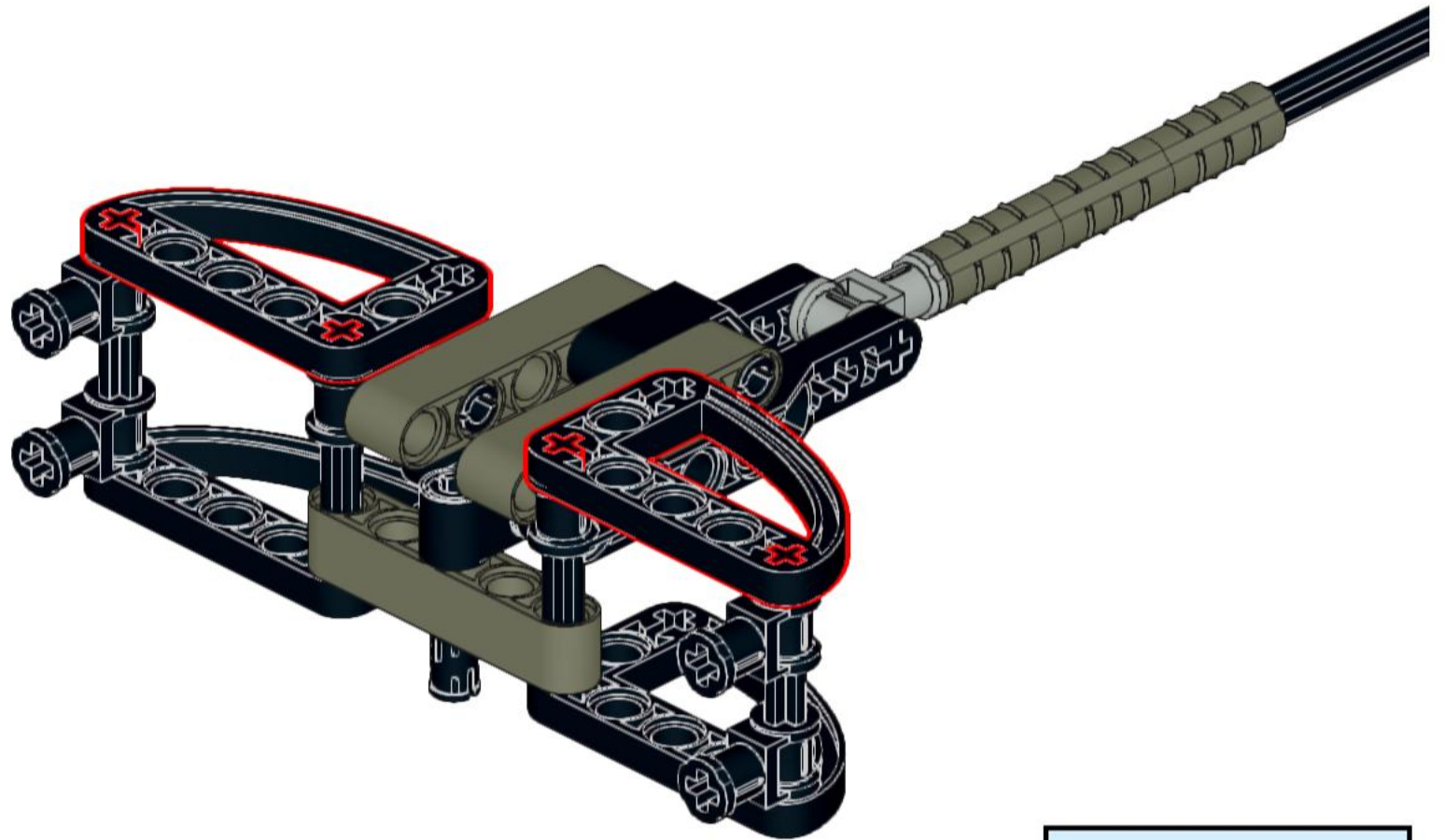




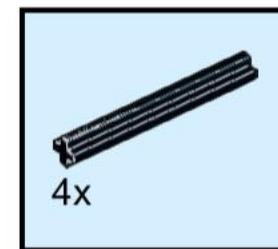
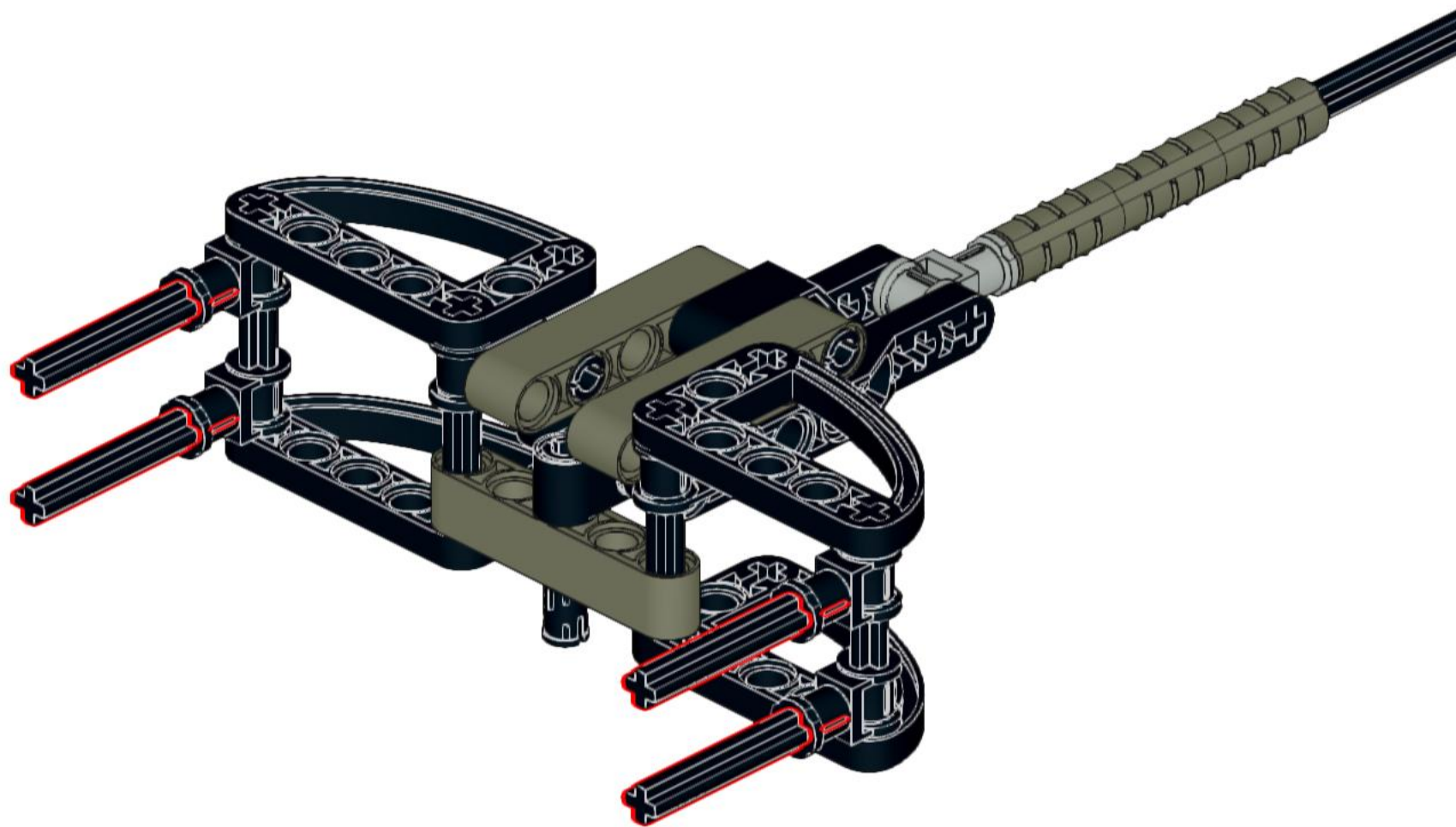
# 149



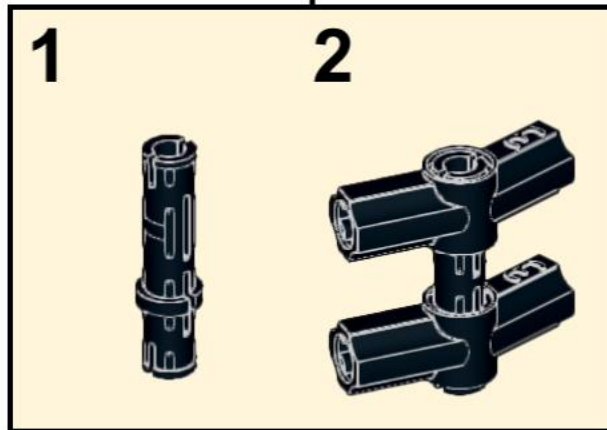
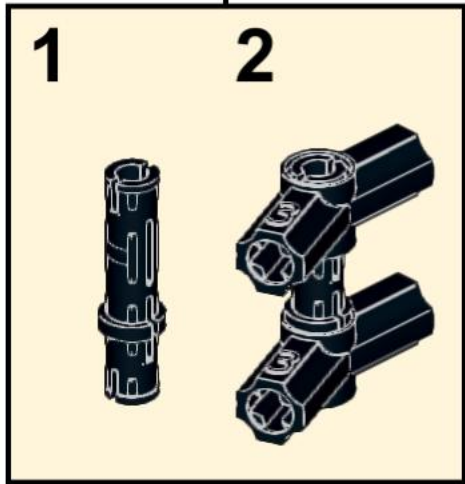
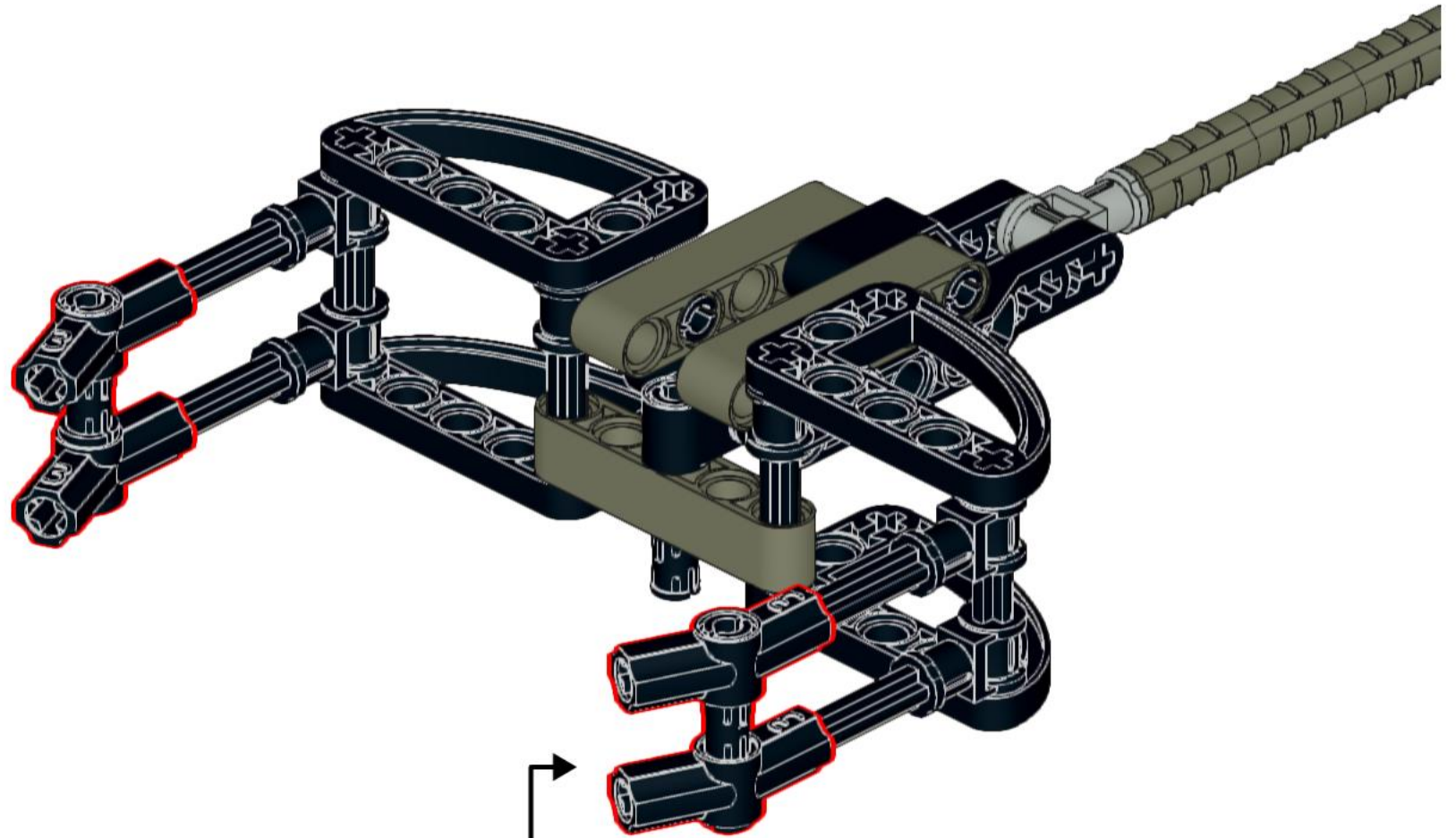
# 150



# 151

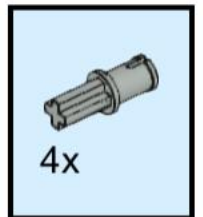
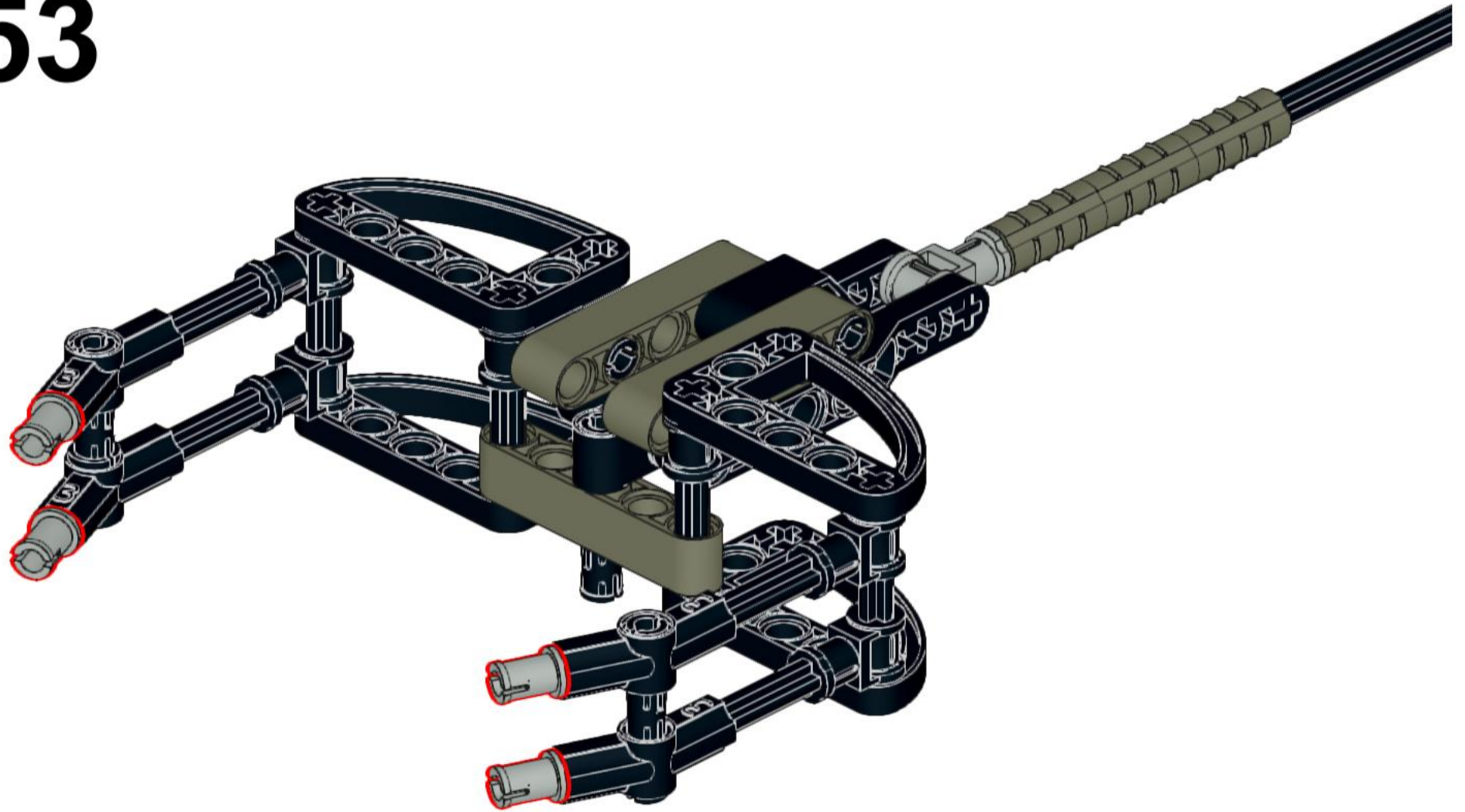


# 152



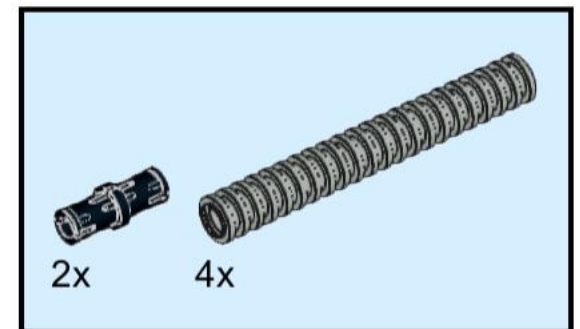
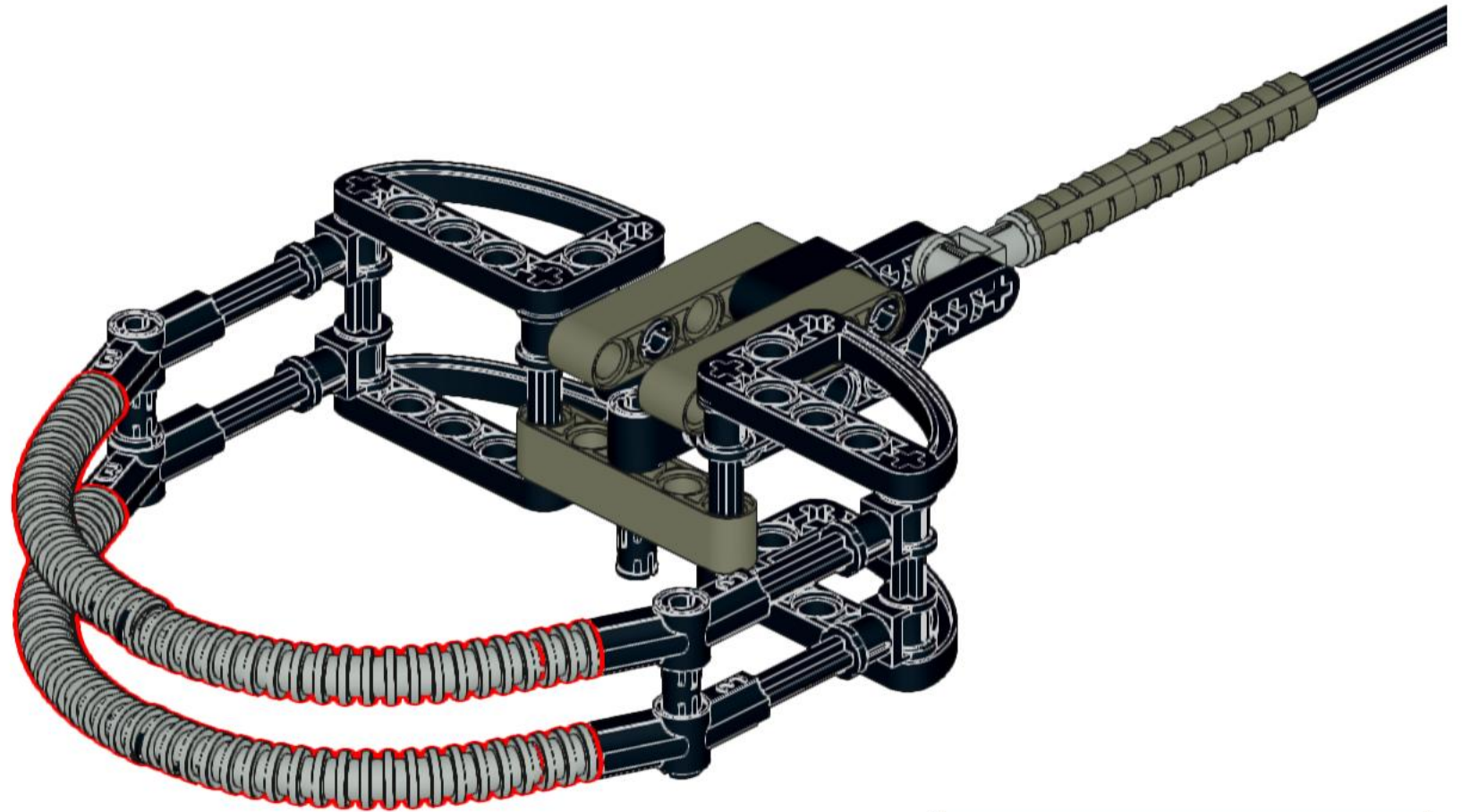


# 153

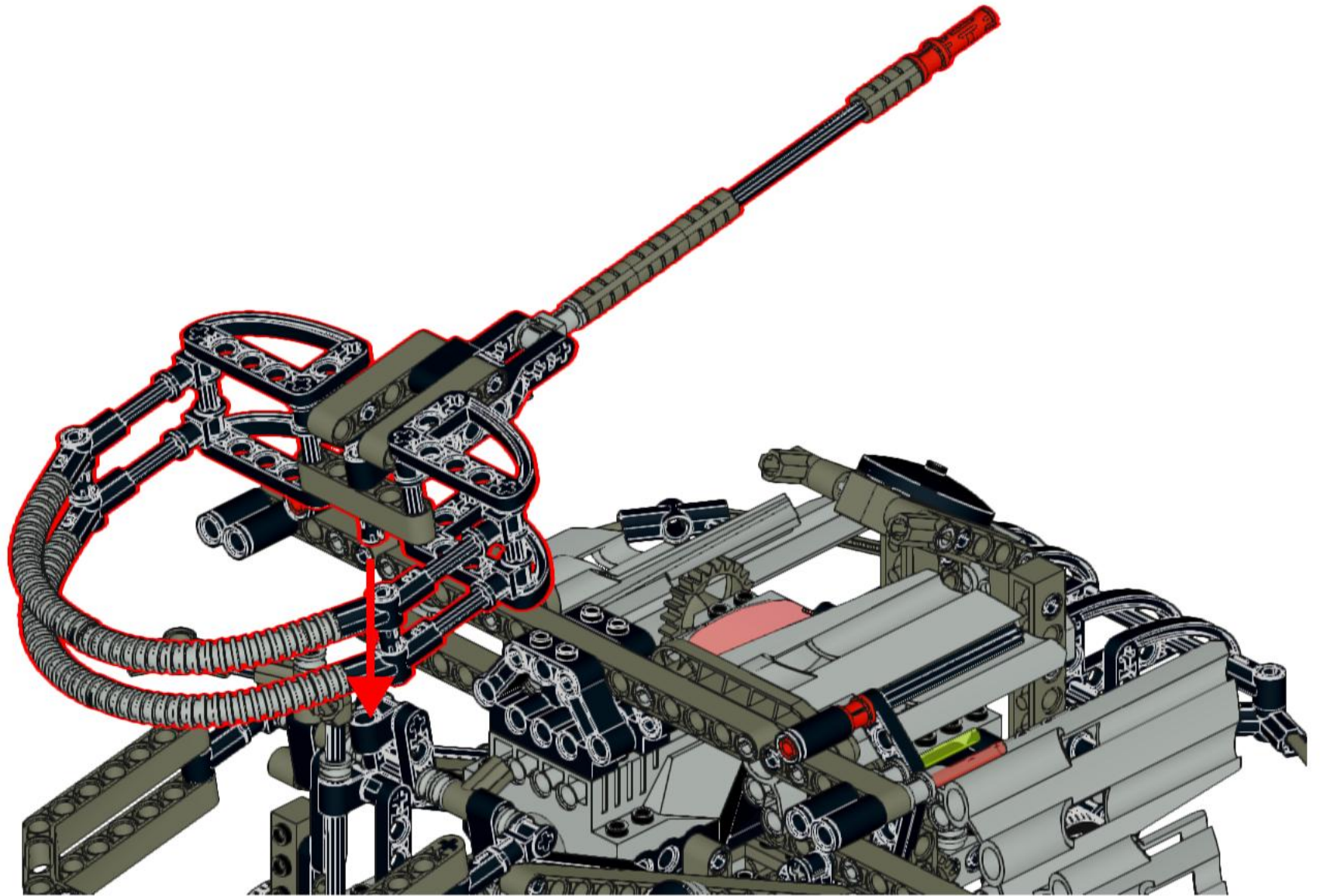




# 154

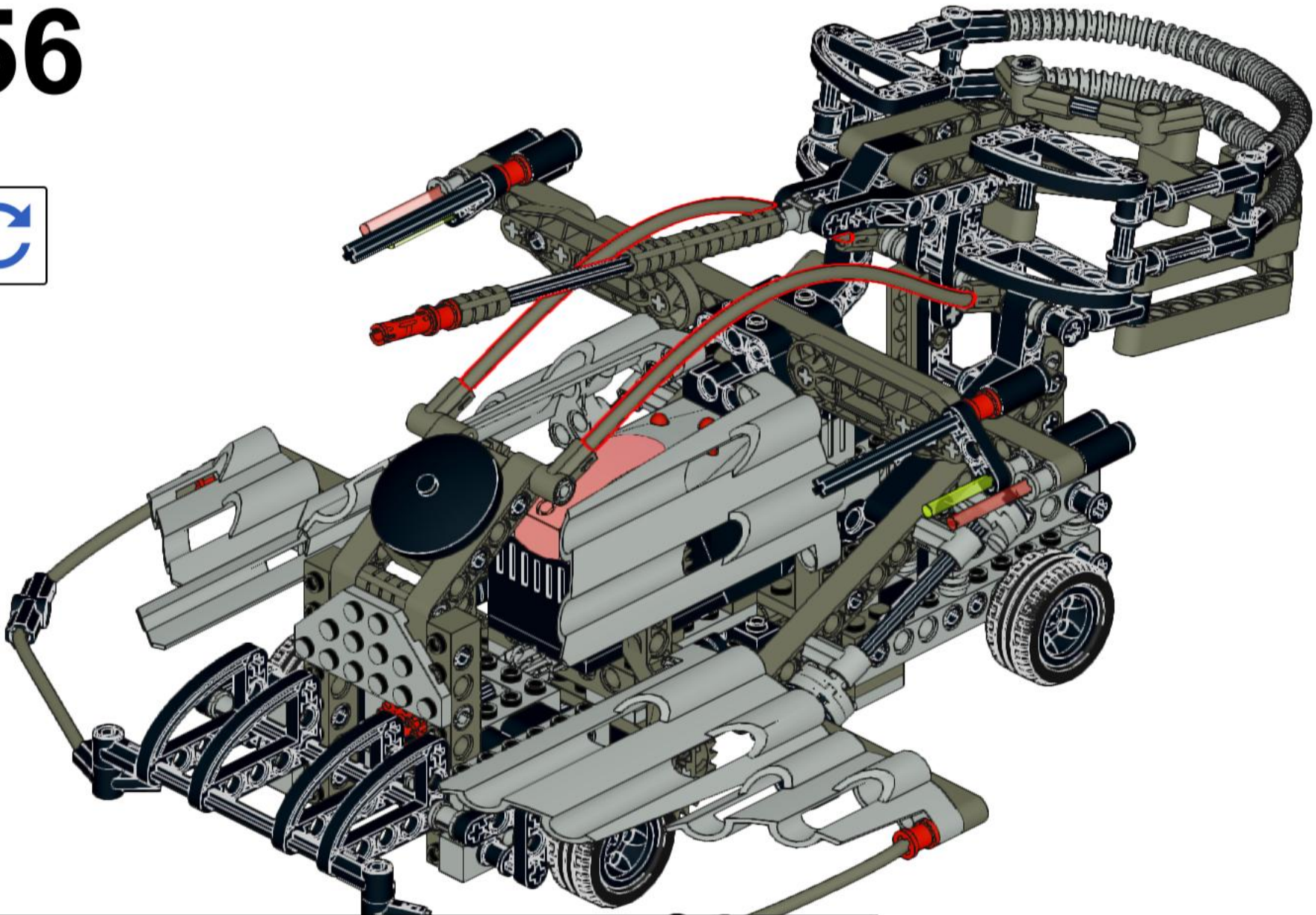


# 155





# 156





14x  
32062, 11



10x  
75535, 11



30x  
6558, 11



4x  
32016, 11



4x  
2994, 11



1x  
3960, 11



32x  
2780, 11



4x  
2654, 11



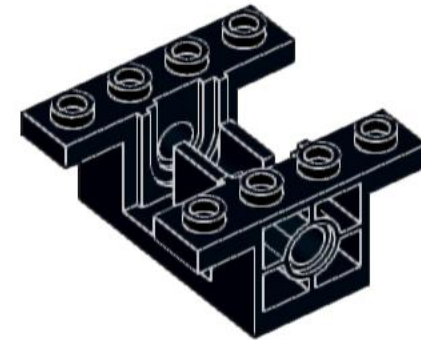
2x  
32034, 11



8x  
3705, 11



2x  
32073, 11



1x  
6585, 11



6x  
32039, 11



2x  
32291, 11



8x  
32054, 11



4x  
32013, 11



14x  
6632, 11



2x  
32015, 11



2x  
2825, 11



8x  
32250, 11



6x  
6536, 11



11x  
4519, 11



8x  
32140, 11



1x  
3706, 11



2x  
32333, 11



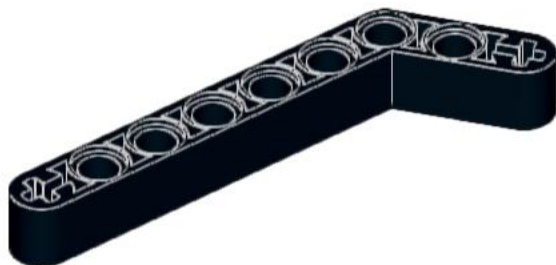
4x  
3707, 11



2x  
23948, 11



3x  
44294, 11



2x  
32271, 11



2x  
3708, 11



1x  
32308, 11



2x  
3737, 11





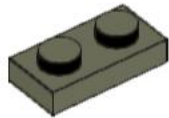
2x  
32278, 11



2x  
32002, 10



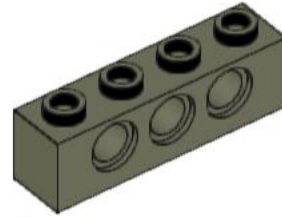
1x  
2854, 10



2x  
3023, 10



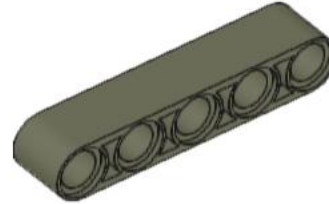
2x  
6538b, 10



4x  
3701, 10



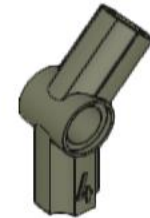
4x  
32013, 10



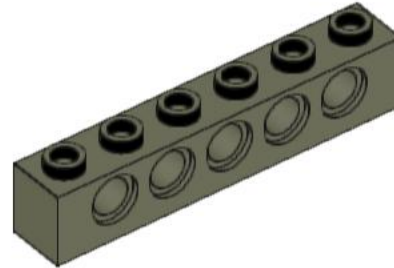
8x  
32316, 10



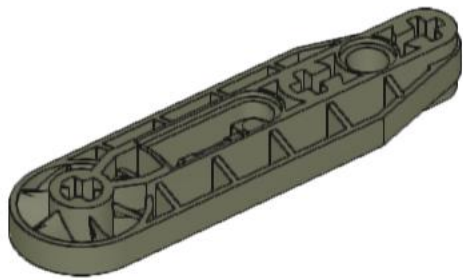
5x  
6538a, 10



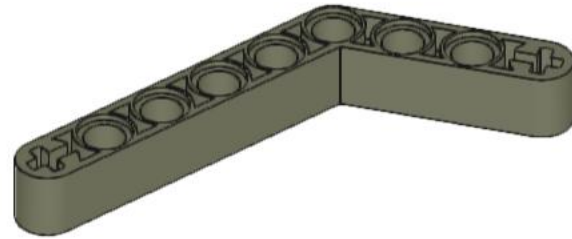
2x  
32192, 10



2x  
3894, 10



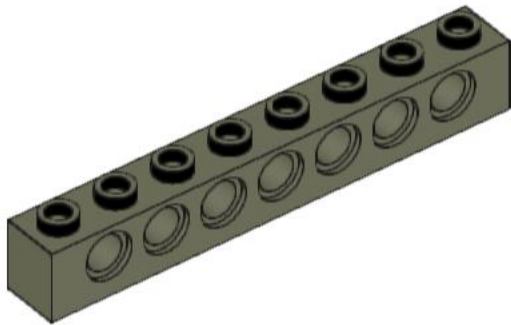
2x  
32177, 10



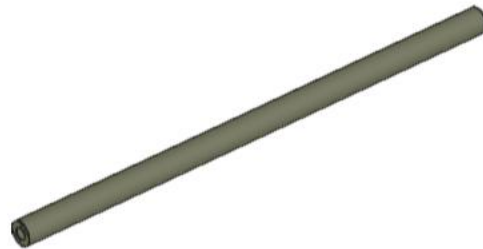
2x  
6629, 10



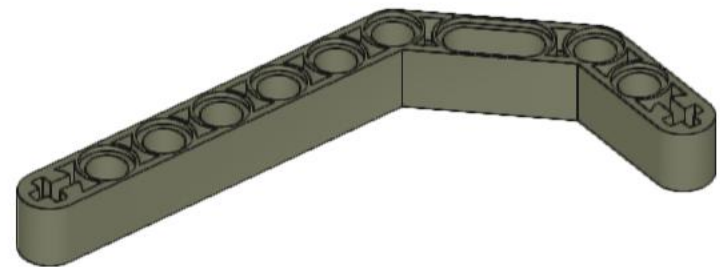
2x  
32311, 10



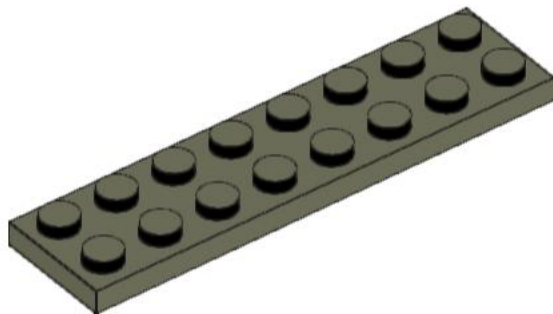
4x  
3702, 10



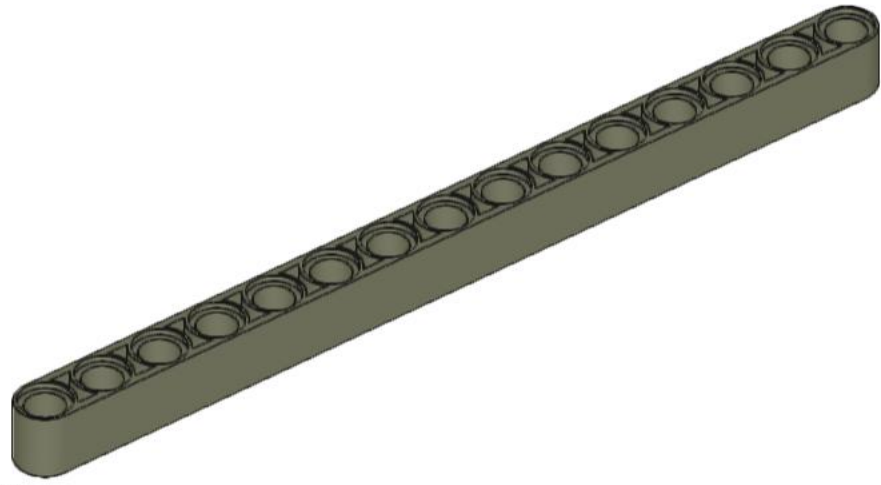
4x  
75c08, 10



4x  
32009, 10



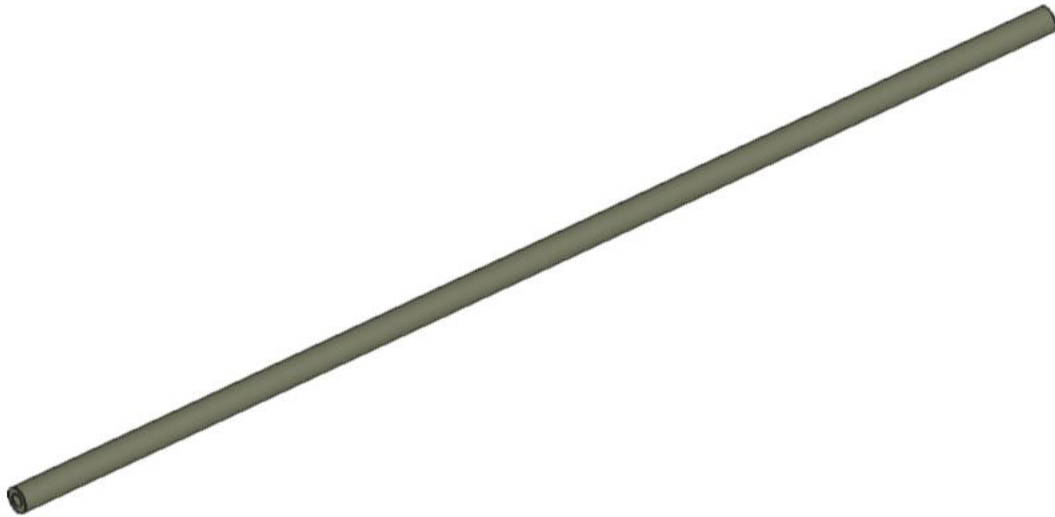
4x  
3034, 10



5x  
32278, 10



10x  
4265c, 9



2x  
75c18, 10



32x  
4073, 9



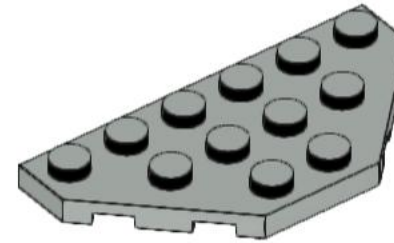
1x  
32039, 9



4x  
32054, 9



1x  
3650b, 9



1x  
2419, 9



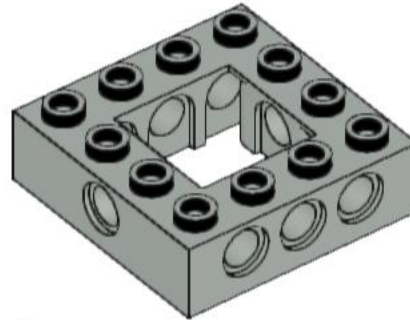
4x  
4274, 9



4x  
32013, 9



2x  
32269, 9



4x  
32324, 9



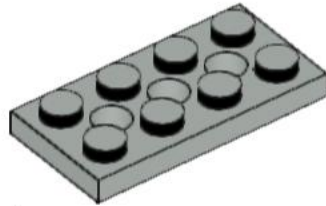
4x  
78c07, 9




7x  
3713, 9



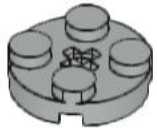
2x  
32270, 9



1x  
3709b, 9



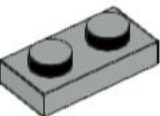
1x  
3647, 9



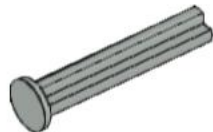
8x  
4032, 9



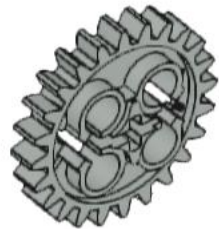
35x  
3749, 9



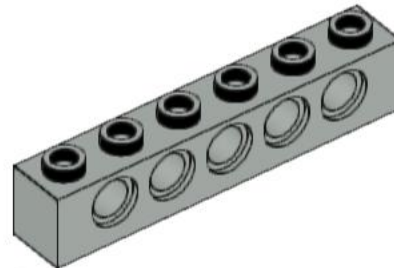
8x  
3023, 9



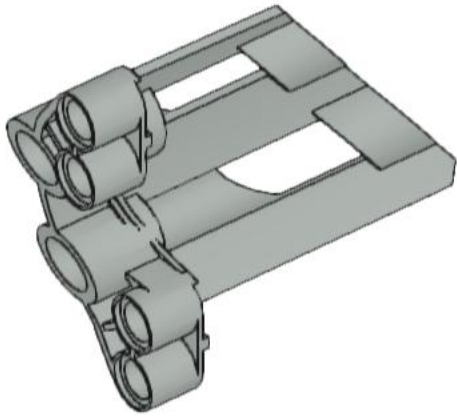
1x  
24316, 9



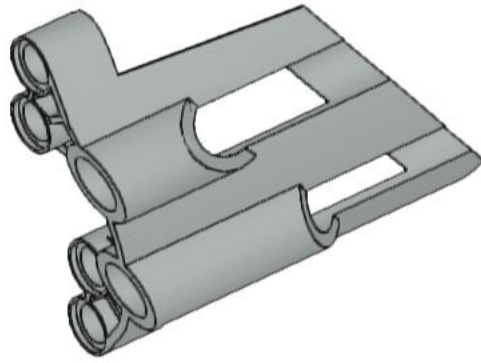
1x  
x187, 9



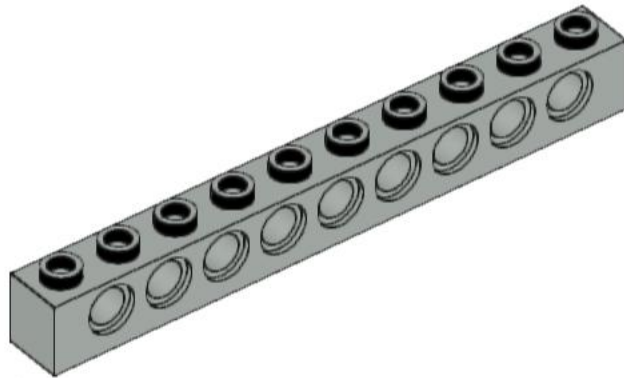
4x  
3894, 9



1x  
32190, 9

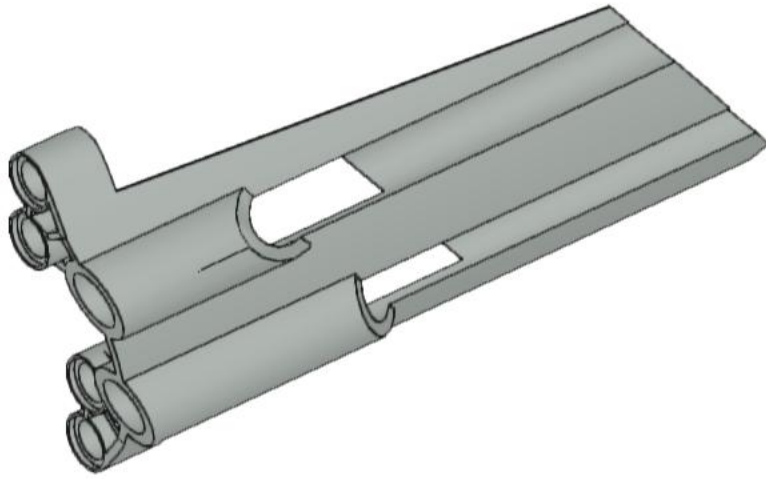


1x  
32191, 9

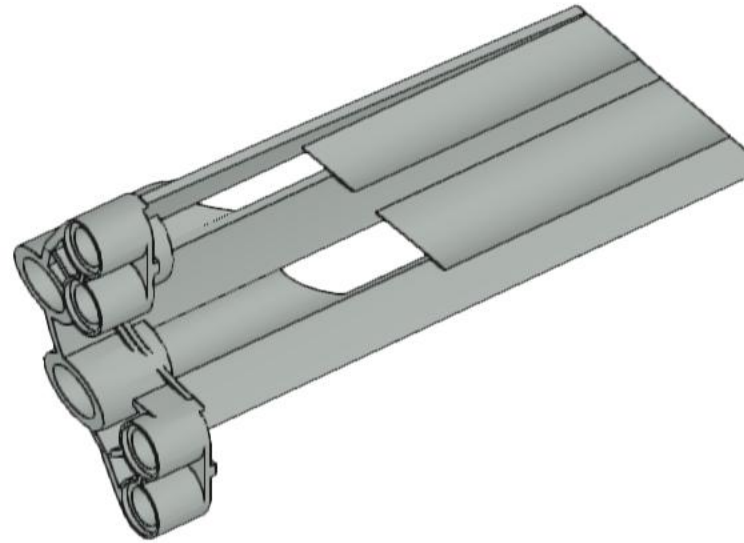


4x  
2730, 9

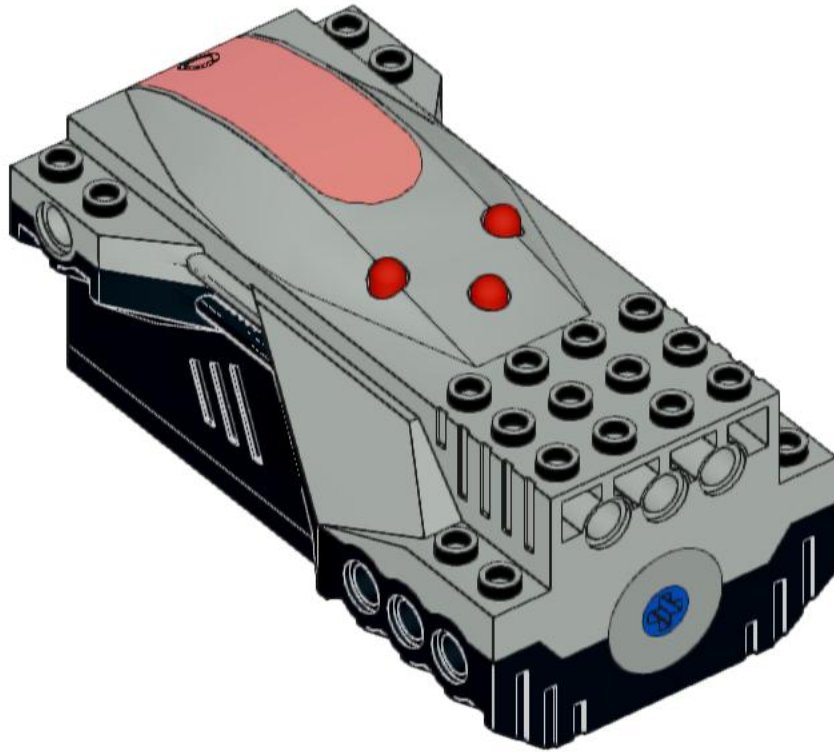




2x  
32189, 9



2x  
32188, 9



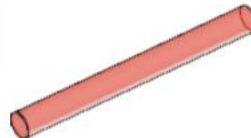
2x  
4019, 5



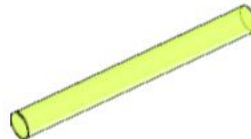
4x  
6578, 11



5x  
32054, 5



2x  
30374, 18



2x  
30374, 16

1x



7x  
6589, 5



# MINDSTORMS

Instructions to build the AAT Battle Tank from the Dark Side Developer Kit (9754).  
These were created using Bricklink Studio by Arturo Moncada-Torres (@amoncadatorres)